

## INSTALLATION INSTRUCTIONS CENTRO CEILING WITH S1SA & C1NA HANGING SYSTEM

These instructions cover the CENTRO luminaire with the following options:

SERIES	HANGING SYSTEM	SIZE	LIGHT SOURCE	CONTROL	WIRE DIAGRAM
1. CT1 (CENTRO)	S1SA: INDOOR ADA COMPLIANT SCONCE  C1NA: SURFACE CEILING MOUNT	14"	STATIC WHITE	DM1 / DM3	WIRE DIAGRAM ON PAGE 4

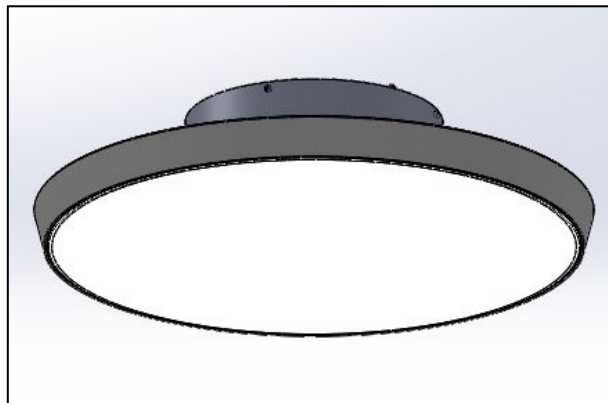


FIG. 1- CT1-S1SA\_C1NA-14-MW-PTD-LEDX\_XXK-UNV-XXX-DM~

**GENERAL NOTES:**

1. PLEASE COMPLETELY READ THE INSTALL INSTRUCTIONS BEFORE STARTING INSTALLATION.
2. INSTALL IN ACCORDANCE WITH ALL LOCAL, STATE AND NATIONAL CODES CONSULT WITH A QUALIFIED ELECTRICIAN FOR PROPER INSTALLATION.
3. CAREFULLY UNPACK ALL CONTENTS; SOME COMPONENTS MAY HAVE BEEN SHIPPED IN SEPARATE BOXES MOST FIXTURES ARE SHIPPED PARTIALLY ASSEMBLED. SOME UNASSEMBLY MAY BE REQUIRED FOR INSTALLATION.
4. INSPECT EACH COMPONENT RECEIVED; IF ANY COMPONENT SHOWS SIGNS OF DAMAGE OR POTENTIAL FAILURE, STOP INSTALLATION IMMEDIATELY AND CONTACT FACTORY FOR HOW TO PROCEED.
5. DO NOT LET THE CENTRO LUMINAIRE HANG FREE UNTIL MOUNTING PLATE IS SECURED TO FIXTURE BODY.

## Table of Contents

<b>GENERAL INFORMATION:.....</b>	<b>3</b>
<b>CENTRO MOUNTING: .....</b>	<b>4</b>

## CT1-S1SA-C1NA-INSTALLATION INSTRUCTIONS

### GENERAL INFORMATION:

You will receive the following with each CENTRO series ceiling fixture:

1. CENTRO LUMINAIRE (Pre-assembled as shown in FIG. 2)
2. INSTALLATION INSTRUCTIONS (shown in FIG. 3) - Please completely read the install instructions before starting installation.

**WARNING: Examine all components for any damage before beginning installation.**

**WARNING: This fixture should be installed by a licensed electrician only.**

**WARNING: Be careful not to scratch or damage any finished parts.**

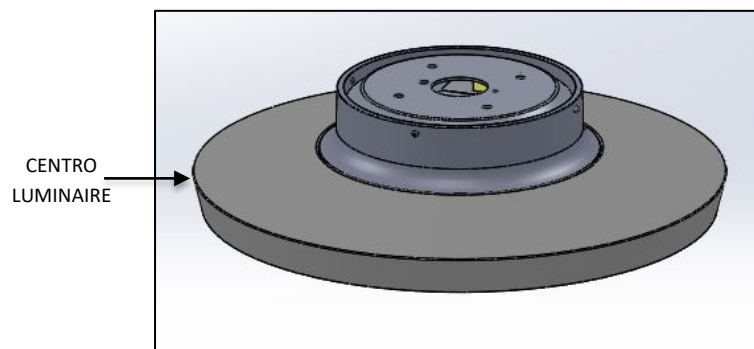


FIG.2 CENTRO LUMINAIRE (PRE-ASSEMBLED)

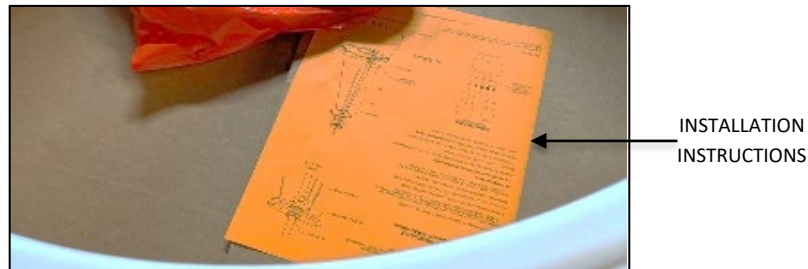


FIG.3 INSTALLATION INSTRUCTIONS

## CT1-S1SA-C1NA-INSTALLATION INSTRUCTIONS

**CENTRO MOUNTING:**

1. Unscrew SETSCREWS 4places and remove the MOUNTING PLATE out of LUMINAIRE as shown in FIG 4.
2. Attach MOUNTING PLATE TO JUNCTION BOX (BY OTHER) as shown below in FIG. 5.

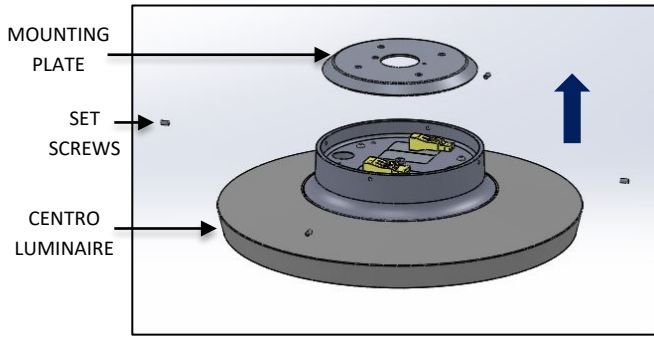


FIG. 4- MOUNTING PLATE DIS-ASSEMBLY

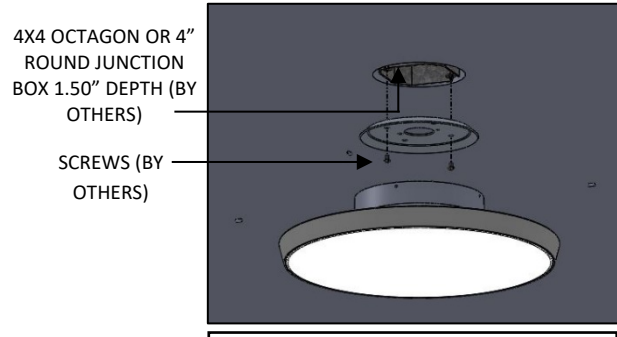


FIG. 5- MOUNTING PLATE INSTALLATION

3. Raise the fixture and unplug 8" wire whip from fixture harness and connect 8" wire whip to building supply wires. See WIRE DIAGRAM as shown below in FIG. 6. Make all electrical connections in accordance with the national electrical code and applicable local and state code.

WIRE DIAGRAM TABLE						
SERIES	HANGING SYSTEM	BODY SIZE	BODYLIGHT SOURCE	LED OUTPUT	CONTROL	WIRE DIAGRAM
CT1 (CENTRO)	S1SA	14"	STATIC WHITE	LED1 & LED2	DM1 / DM3	WIRE DIAGRAM ON PAGE 4
	C1NA	14"	STATIC WHITE	LED1 & LED2	DM1 / DM3	WIRE DIAGRAM ON PAGE 4

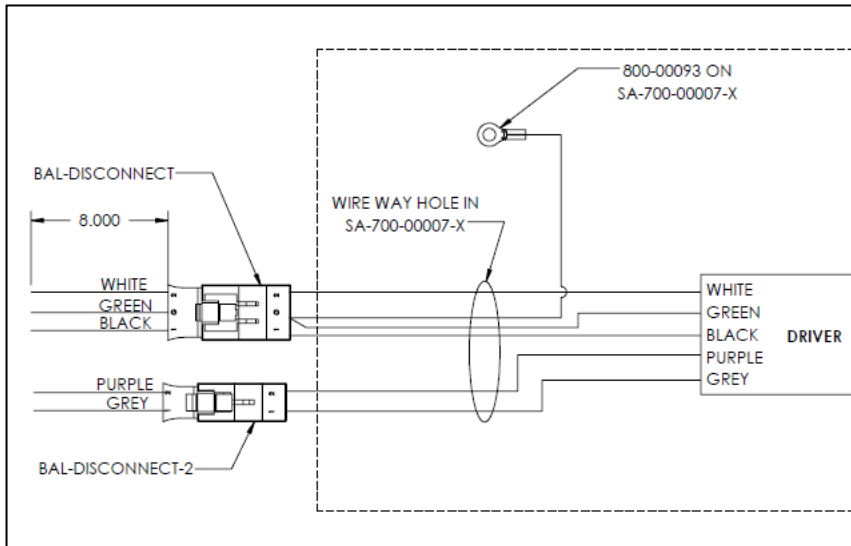


FIG. 6 - WIRE DIAGRAM

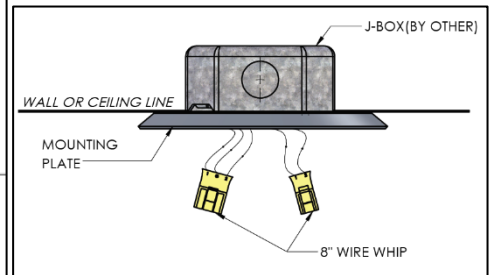


FIG. 7 - WIRING

### CT1-S1SA-C1NA-INSTALLATION INSTRUCTIONS

4. Plug wire connectors to their corresponding connector between fixture (fixture harness) and building supply (8" wire whip) as shown below in FIG. 8.

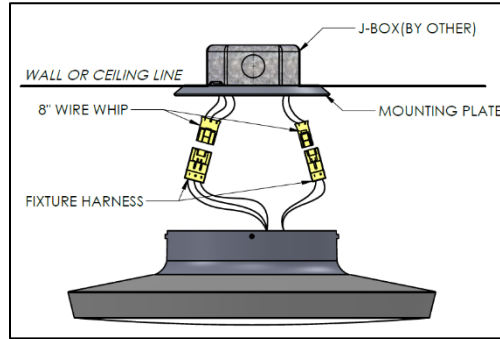


FIG. 8 - WIRING

**WARNING:**



- Do not let the CENTRO LUMINAIRE hang free until MOUNTING PLATE is secured to FIXTURE BODY.

5. Slide FIXTURE BODY over MOUNTING PLATE. Tighten SET SCREWS to secure FIXTURE (make sure that all the SET SCREWS engage the MOUNTING PLATE in order to safely hold the FIXTURE) as shown below in FIG. 9.

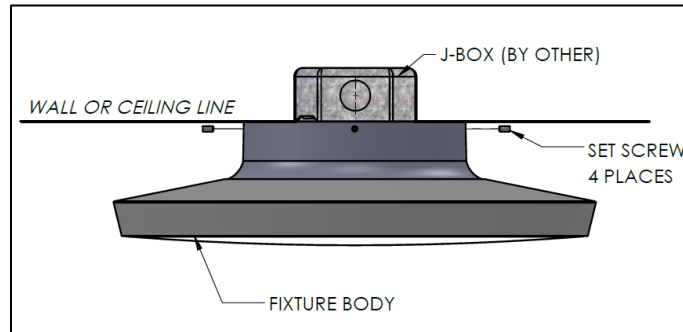


FIG. 9 – FIXTURE BODY INSTALLATION

6. Restore power to circuit the CENTRO series ceiling is connected to.
  - a. Test to see that the luminaire turns on after power is restored.
  - b. Contact OCL for any luminaire troubleshooting if a problem occurs.

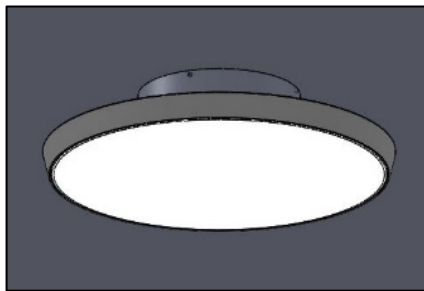


FIG. 10 - COMPLETED INSTALLATION OF CT1-C1NA-14-MW-PTD-LEDX\_XXK-UNV-XXX-DM~

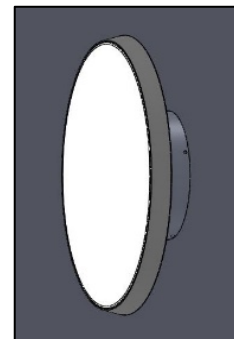


FIG. 11 - COMPLETED INSTALLATION OF CT1-S1SA-14-MW-PTD-LEDX\_XXK-UNV-XXX-DM~