

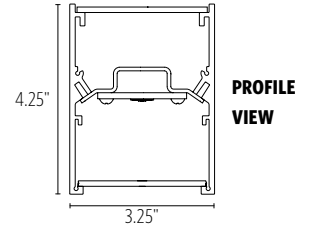


Solo™

PENDANT/CEILING

FEATURES

- SINGLE DIRECTION ILLUMINATION WITH FULLY ENCLOSED TOP SURFACE
- AVAILABLE IN 80+ CRI AND 90+ CRI (R9>50)
- FIXTURES CAN BE CLUSTERED TOGETHER TO CREATE LARGE SCALE INSTALLATIONS
- CUSTOMIZABLE SIZES AND SHAPES
- THICK WALL ALUMINUM EXTRUSION WITH MINIMAL FIXTURE CROSS SECTION SIZE
- INTEGRAL DRIVERS




Declare.



CATALOG CODES

SL1	-	B	-	C	-	MW	-	E	-	UNV	-	H	-	J	-	I		
SERIES		HANGING SYSTEM		SIZE		DIFFUSER		FINISH		LIGHT SOURCE		VOLTAGE		OAH		CONTROL		OPTIONS

SPECIFY CATALOG CODE

A	B	C	D	E	
SERIES	HANGING SYSTEM	SIZE	DIFFUSER	FINISH*	
 SL1 SOLO	PIEM PENDANT WITH VERTICAL AIRCRAFT CABLES TO SEPARATE MOUNTING POINTS AND POWER CORD TO CANOPY	24 36 48	MW MATTE WHITE	POWDER COAT FINISHES BKP BLACK BMP BRASS METALLIC BNP BRONZE BTP BLACK TEXTURED GRP GRAPHITE GLP GOLDTASTIC PREMIUM METAL FINISHES BAL BRUSHED ALUMINUM	
	PIEE PENDANT WITH ANGLED AIRCRAFT CABLES AND POWER CORD TO COLLECTOR THEN SINGLE CENTER STEM TO CANOPY (NOTE: PIEE ONLY AVAILABLE ON 72" SIZE AND SMALLER)	60 72 96 120			MWP MATTE WHITE SGP STEEL GRAY SMP SILVER METALLIC SWP SKY WHITE WTP WHITE TEXTURED
	NOTE: FOR PIEM AND PIEE , POWER CORD WHITE UNLESS SPECIFIED				
	CINA SURFACE CEILING MOUNT				

F			G	H	I	J
LIGHT SOURCE			VOLTAGE	OAH*	CONTROL	OPTIONS
LED OUTPUT LED1 LED2	COLOR TEMP (80+ CRI) 27K 30K 35K 40K	COLOR TEMP (90+ CRI) 927K 930K 935K 940K	UNV 120-277	48 100 144 FOR PIEE: SPECIFY IN INCHES NOTE: LEAVE BLANK WITH CINA	DM1 0-10V DIMMING 1%	ULD DAMP LABEL BIOS BIOS SKYBLUE™ OR BIOS SKLYBLUE™ DYNAMIC LIGHT ENGINE** MOD MODIFIED LUMINAIRE (CONTACT LOCAL REP)

SAMPLE CODE: SL1-PIEM-24-MW-WTP-LED1/35K-UNV-48-DM1

*For Minimum OAH, see hanging systems details. PIEM will ship with one of three standard OAH's (48", 100" or 144") field adjustable to the desired height.

**Contact factory for BIOS SkyBlue® or BIOS SkyBlue® Dynamic light engine and control options.

Fixtures with PIEM hanging system, canopy will be MWP unless specified.

Fixtures with PIEE hanging system, canopy will match finish choice.

UP TO **86** LM/W

LUMENS AND WATTAGE CHART

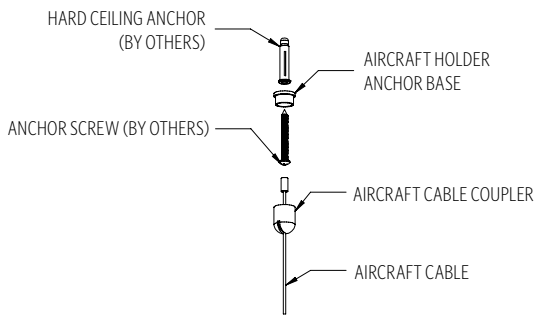
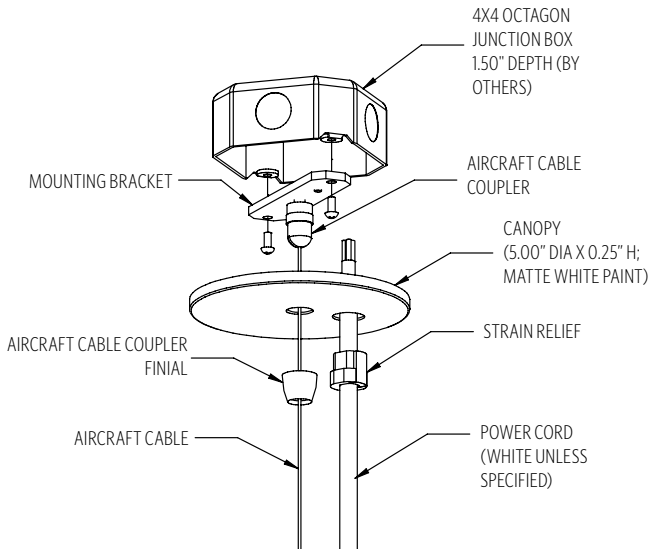
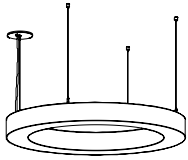
		24"	36"	48"	60"	72"	96"	120"
LED1	LUMENS DELIVERED	4300	7740	10320	12900	15480	21500	26660
	SYSTEM WATTAGE	50	90	120	150	180	250	310
LED2	LUMENS DELIVERED	5160	10320	13760	17200	18920	28380	35690
	SYSTEM WATTAGE	60	120	160	200	220	330	415

This chart was created for a 35K color temp. Multiply by 0.95 for 27k color temp, 0.97 for 30k color temp, and 1.03 for 40k color temp. Wattage and lumen data approx. pending LM-79 testing.

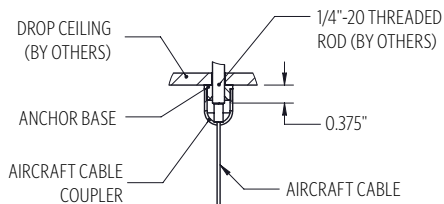
Values shown for 80+ CRI. For 90+ CRI lumens use 0.85 multiplier.

MODS, NOTES, & COMMENTS

PIEM PENDANT WITH VERTICAL AIRCRAFT CABLES TO SEPARATE MOUNTING POINTS AND POWER CORD TO CANOPY (CANOPY MATTE WHITE PAINT) **NOTE:** POWER CORD WHITE UNLESS SPECIFIED



HARD CEILING

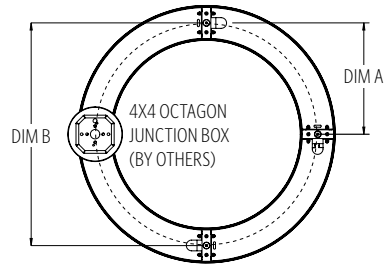


DROP CEILING

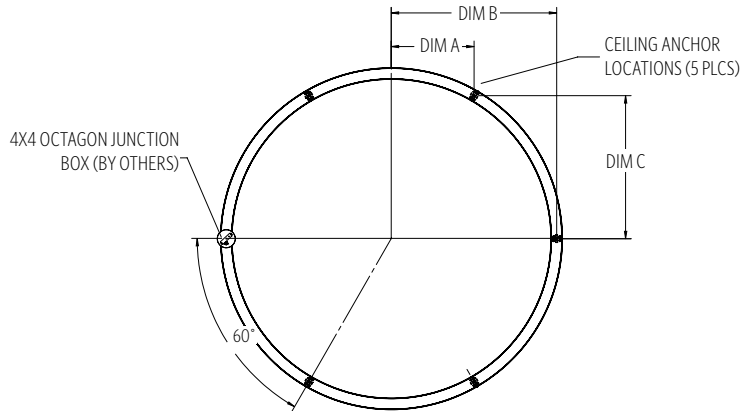
MOUNTING INFORMATION CHART

LUMINAIRE DIAMETER	LUMINAIRE WEIGHT	MOUNTING DIM A	MOUNTING DIM B	MOUNTING DIM C	MOUNTING POINTS	MIN/MAX OAH
24"	20 LBS	10.375"	Ø 20.75"	-	4	8/144"
36"	30 LBS	16.375"	Ø 32.75"	-	4	8/144"
48"	40 LBS	22.375"	Ø 44.75"	-	4	8/144"
60"	50 LBS	28.375"	Ø 56.75"	-	4	8/144"
72"	60 LBS	34.375"	Ø 68.75"	-	4	8/144"
96"	80 LBS	23.188"	46.375"	40.125"	6	8/144"
120"	100 LBS	41.25"	58.375"	116.75"	8	8/144"

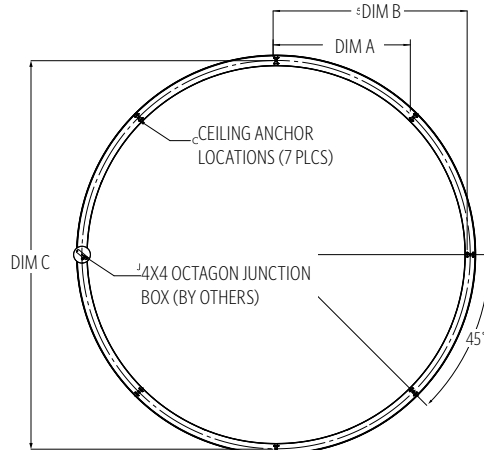
* PIEM ships with one of three OAH's (48", 100" or 144") and is field adjustable to the desired height



24 - 72" MOUNT LOCATIONS

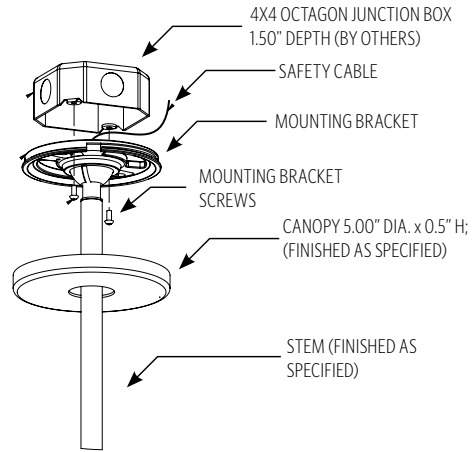
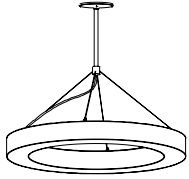


96" MOUNT LOCATIONS



120" MOUNT LOCATIONS

P1EE PENDANT WITH ANGLED AIRCRAFT CABLES AND POWER CORD TO COLLECTOR THEN SINGLE CENTER STEM TO CANOPY (CANOPY MATCHES FIXTURE FINISH) **NOTE:** POWER CORD WHITE UNLESS SPECIFIED

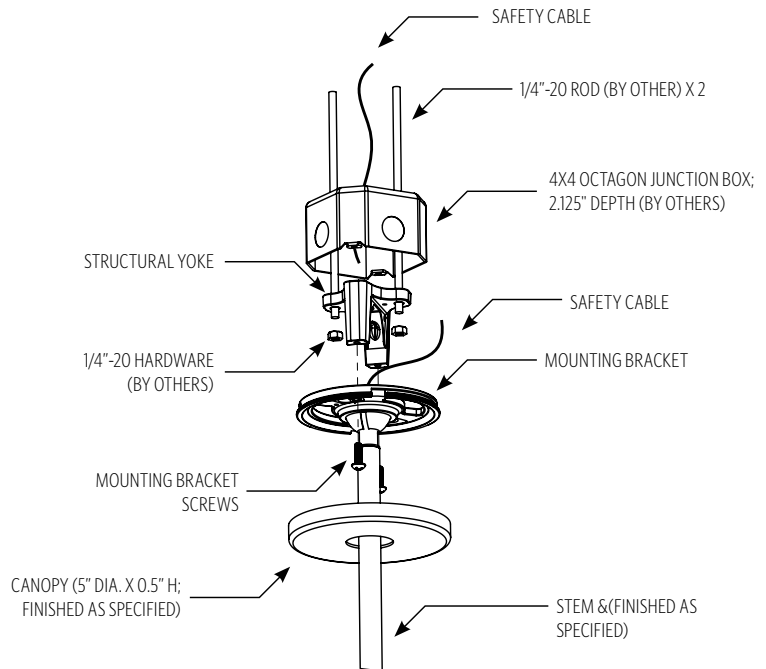


**STANDARD MOUNTING
UNDER 55 LBS
(24"- 60")**

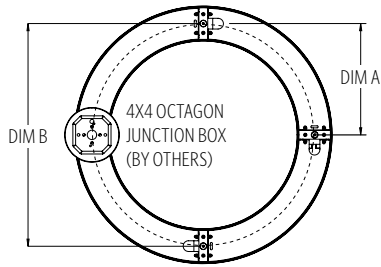
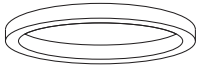
MOUNTING INFORMATION CHART

FIXTURE DIAMETER	FIXTURE WEIGHT	USE CANOPY INSTALL INSTRUCTIONS:	MIN/MAX OAH
24"	20 LBS	SWIVEL CANOPY ASSEMBLY UNDER 55LBS	17/155"
36"	30 LBS	SWIVEL CANOPY ASSEMBLY UNDER 55LBS	21/159"
48"	40 LBS	SWIVEL CANOPY ASSEMBLY UNDER 55LBS	25/163"
60"	50 LBS	SWIVEL CANOPY ASSEMBLY UNDER 55LBS	28/166"
72"	60 LBS	SWIVEL CANOPY ASSEMBLY OVER 55LBS	33/171"

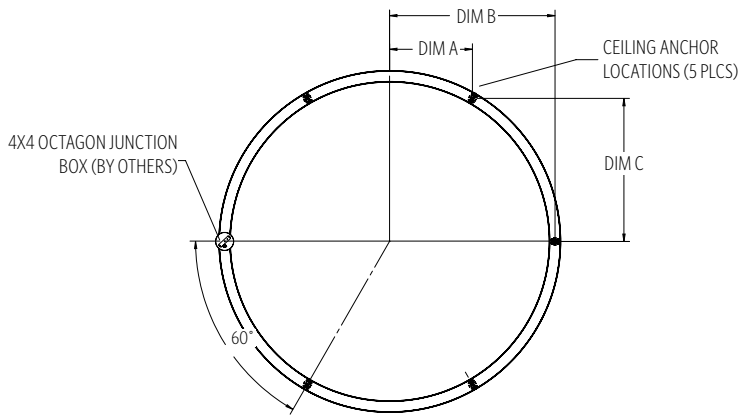
Structural mounting required for fixtures over 50 lbs.



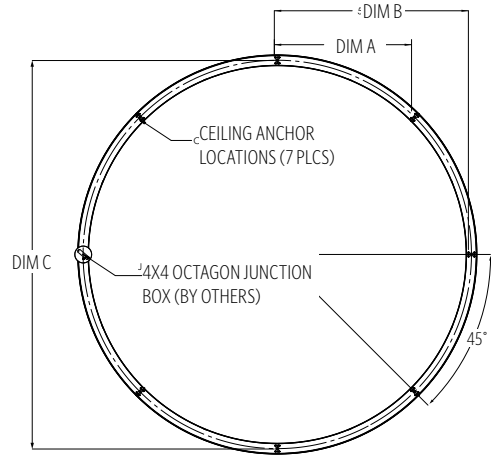
**STRUCTURAL MOUNTING
OVER 55 LBS
(72")**



24 - 72" MOUNT LOCATIONS



96" MOUNT LOCATIONS



120" MOUNT LOCATIONS

MOUNTING INFORMATION CHART

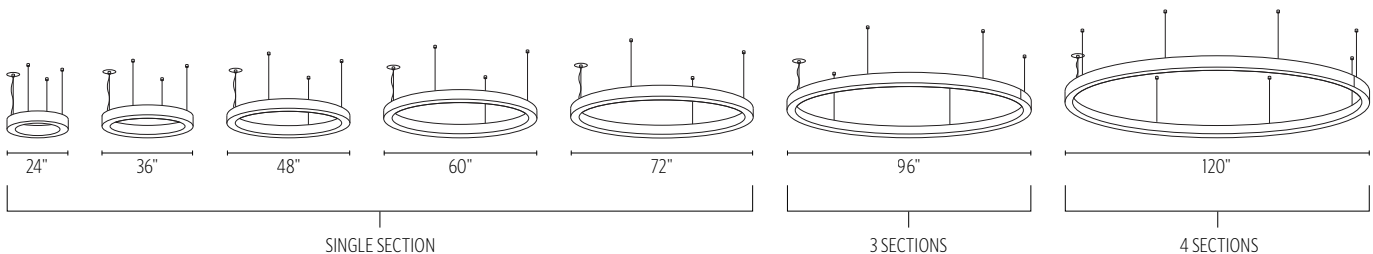
FIXTURE DIAMETER	FIXTURE WEIGHT	MOUNTING DIM A	MOUNTING DIM B	MOUNTING DIM C	MOUNTING POINTS
24"	20 LBS	10.375"	Ø 20.75"	-	4
36"	30 LBS	16.375"	Ø 32.75"	-	4
48"	40 LBS	22.375"	Ø 44.75"	-	4
60"	50 LBS	28.375"	Ø 56.75"	-	4
72"	60 LBS	34.375"	Ø 68.75"	-	4
96"	80 LBS	23.188"	46.375"	40.125"	6
120"	100 LBS	41.25"	58.375"	116.75"	8

Fixture is provided with mounting accessories to mount to a 4x4 octagon junction box, 3" mud ring or conduit feed (all supplied by others).

For a completely flush to the ceiling appearance, conduit feed or 3" mud ring is recommended.

For 4x4 octagon junction box mounting, a .08" thick, 5" diameter matte white cover plate is provided as well as shimming washers in the anchor locations.

SIZES



DIFFUSER



MW MATTE WHITE

FINISH

METALLIC POWDER COAT FINISHES:



SMP
SILVER



GRP
GRAPHITE



SGP
STEEL GRAY



GLP
GOLDTASTIC



BMP
BRASS



BNP
BRONZE

PREMIUM METAL FINISHES:



BAL
BRUSHED
ALUMINUM

SOLID POWDER COAT FINISHES:



SWP
SKY WHITE



MWP
MATTE
WHITE



BKP
BLACK



BTP
BLACK
TEXTURED



WTP
WHITE
TEXTURED

TEXTURED POWDER COAT FINISHES:

RAL®, Pantone® or custom finishes are also available.

These colors are for reference only. Please be aware that colors may vary per monitor. Contact your local rep for finish samples or with any questions.

LIGHT SOURCE

LUMENS AND WATTAGE CHART

		24"	36"	48"	60"	72"	96"	120"
LED1	LUMENS DELIVERED	4300	7740	10320	12900	15480	21500	26660
	SYSTEM WATTAGE	50	90	120	150	180	250	310
LED2	LUMENS DELIVERED	5160	10320	13760	17200	18920	28380	35690
	SYSTEM WATTAGE	60	120	160	200	220	330	415

This chart was created for a 35K color temp. Multiply by 0.95 for 27k color temp, 0.97 for 30k color temp, and 1.03 for 40k color temp. Wattage and lumen data approx. pending LM-79 testing.

Values shown for 80+ CRI. For 90+ CRI lumens use 0.85 multiplier.

STANDARD COLOR TEMPERATURE OPTIONS	CRI (RA)	
2700K	80+	90+
3000K	80+	90+
3500K	80+	90+
4000K	80+	90+

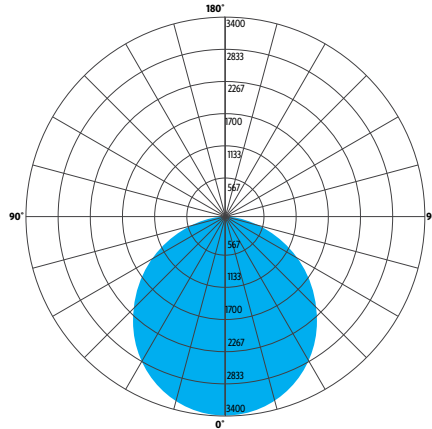
LUMEN MAINTENANCE

REPORTED:	L70 AT >60,000 HRS
CALCULATED:	L70 AT 181,000 HRS
REPORTED:	L90 AT 52,000 HRS
CALCULATED:	L90 AT 52,000 HRS

Derived from EPA TM-21 calculator. Based on typical conditions. Consult the factory for additional details

PHOTOMETRY:

LUMINAIRE:	SLI-P1EE-36-GW-MWP-LED2/35K-UNV
COLOR TEMP #:	3500K
OUTPUT:	10320
EFFICACY:	86 LM/W
TEST REPORT:	TEST NO. 19984.0



ZONE	LUMENS	% OF LUMINAIRE
0-30	2890	28%
0-60	8360	81%
0-90	10320	100%
90-180	0	0%

CONTROL

DM1 0-10V DIMMING DOWN TO 1%

- 0-10V DIMMING
- 1% MINIMUM DIMMING LEVEL
- ELECTRONIC DRIVER
- POWER FACTOR >0.9
- THD <20%
- MIN AMBIENT OPERATING TEMPERATURE = -31°F
- FIELD REPLACEABLE

OPTIONS

MOD MODIFIED LUMINAIRE

- LUMINAIRE IS MODIFIED FROM STANDARD OPTIONS. CONTACT LOCAL REP FOR MORE INFORMATION

ULD DAMP LABEL LUMINAIRE

- MAY BE USED IN A OUTDOOR AREA THAT IS PROTECTED FROM DIRECT CONTACT WITH WIND, RAIN, SNOW OR EXCESSIVE MOISTURE

BIOS

- BIOS SKYBLUE™ DYNAMIC** LIGHT ENGINE IS DIMMABLE AND FEATURES A SIMPLE APPROACH TO CIRCADIAN LIGHTING CONTROLS.
- WHEN PAIRED WITH THE BIOS BIO-DIMMING MODULE, IT OPERATES USING ANY SINGLE CHANNEL CONSTANT CURRENT (CC) LED DRIVER AND CAN BE USED WITH ANY STANDARD DIMMING INTERFACE/PROTOCOL (0-10V, ELV, DMX, WIRELESS) AND COULD WORK WITH EXISTING TWO-CHANNEL CONTROL SYSTEMS AS WELL.
- VISIT OCL.COM/BIOS FOR MORE INFORMATION

SPECIFICATIONS

CONSTRUCTION

- EXTRUDED ALUMINUM PROFILE
- ACRYLIC DIFFUSER CUT WITH LAP JOINT TO ELIMINATE DIODE VIEW
- THICK GAUGE STEEL INTERNAL BRACKETS
- HANGING SYSTEMS USE STEEL OR ALUMINUM CANOPIES WITH AIRCRAFT CABLE SUPPORTS
- HARDWARE IS STEEL OR STAINLESS STEEL
- 98" & 120" PROVIDED WITH HARDWARE FOR BOLTING SECTIONS TOGETHER

ELECTRICAL

- DIMMING ELECTRONIC DRIVER(S), COMES STANDARD WITH 0-10V DOWN TO 1%
- LUTRON (LDEI) ECOSYSTEM 1% ALSO AVAILABLE
- OCL PROPRIETARY LED ARRAYS USE NICHIA 757 DIODES
- 80+ CRI = 80 RA, R9 > 0 (10-15 TYP.)
- 90+ CRI = 90 RA, R9 > 50
- FOR INTEGRAL DRIVERS:** LUMINAIRE CONNECTS TO BUILDING SUPPLY (120V-277V 50/60HZ)
- FOR REMOTE DRIVERS:** LUMINAIRE WIRE LEADS ARE LOW-VOLTAGE. THE WIRES SHOULD BE CONNECTED TO OCL PROVIDED REMOTE DRIVER ENCLOSURE ONLY!

LISTING

- ETL LISTED TO UL1598 FOR INDOOR, DRY LOCATION (DAMP LOCATION OPTIONAL)

WARRANTY

- 5 YEAR; ALL ELECTRICAL COMPONENTS RETAIN THE MANUFACTURER'S WARRANTY

SUSTAINABILITY

- DECLARE:** DECLARE IS AN INGREDIENT LABEL DISCLOSURE FOR BUILDING PRODUCTS THAT IS DESIGNED TO HELP SPECIFIERS QUICKLY IDENTIFY PRODUCTS THAT SUPPORT HUMAN AND ENVIRONMENTAL HEALTH. LEARN MORE AT OCL.COM/DECLARE
- THIS PRODUCT MEETS THE MATERIAL RESTRICTIONS OF ARTICLE 4 OF THE **ROHS** DIRECTIVE (2011/65/EU), INCLUDING COMMISSION DELEGATED DIRECTIVE 2015/863
- BIOS** LIGHTING CONTRIBUTES TOWARD THE CIRCADIAN LIGHTING DESIGN FEATURE 54 UNDER THE **WELL BUILDING STANDARD™ V1** AND FEATURE L03 UNDER THE **WELL BUILDING STANDARD V2**

DECLARE

Final assembly location Where was the product made?

Chemical ingredients What is in this product?

Red List compliance Are there Red List ingredients in this product?

Declare.

Solo, Twin OCL Architectural Lighting

Final Assembly: St. Louis, Missouri, USA
Life Expectancy: 10 Year(s)
End of Life Options: Recyclable (93), Landfill (7)

Ingredients:

Aluminum; Small Electrical Component¹; Steel; Zinc; 2-Propenoic acid, 2-methyl-, methyl ester, polymer with ethyl 2-propenoate; Copper; Iron; Steel manufacture, chemicals; Tin; Organic; Cobalt metal powder; Brass; Magnette (Fe3O4); Unnamed Substance: Cadmium; Manganese; Poly(imino(1,6-dioxo-1,6-hexanedyl)imino-1,6-hexanedyl); Nickel (Metallic)

¹LBC Temp Exception RL-002 - Small Electrical Components

Living Building Challenge Criteria:

I-13 Red List:

- LBC Red List Free % Disclosed: 100% at 100ppm
 LBC Red List Approved VOC Content: Not Applicable
 Declared

I-10 Interior Performance: Not Compliant
I-14 Responsible Sourcing: Not Applicable

OCL-0002
EXP: 01 OCT 2024
Original Issue Date: 2023



INTERNATIONAL LIVING FUTURE INSTITUTE™ www.future.org/declare

Life expectancy + end of life options

How long will this product last + what do you do with it when you're done with it?

VOC info

Does this product off-gas?

DECLARE: PRODUCT TRANSPARENCY IN MANUFACTURING

Declare is the only label that combines material transparency and the Red List. It distills complex chemical ingredient information into an easy to read label. Declare helps specifiers find Red List Free products, which are healthy for people, the environment, and communities.

A product's compliance with the LBC Red List is represented on the Declare® label by the product's Declaration Status. There are three Declaration Statuses:

- DECLARED (RLD)** products disclose 100% of ingredients present in the final product, but contain one or more Red List chemicals that are not covered by an approved exception.
- LBC RED LIST APPROVED (RLA)** products disclose a minimum of 99% of ingredients present in the final product and meet the LBC Red List Imperative requirements through one or more approved exceptions.
- LBC RED LIST FREE (RLF)** products disclose 100% of ingredients present at or above 100 ppm (0.01%) in the final product and do not contain any Red List chemicals.

Need more information? Visit ocl.com/declare to learn more.

COMMON MODIFICATIONS

WE'RE BUILT FOR OUT-OF-THE-BOX THINKERS.

Nearly 50% of OCL fixtures we manufacture have some type of modification. Here is a list of common modifications we frequently produce. **Please contact the factory for modifications specific to your fixture or project.**

Need some help? Simply send your questions to us at OCL-Quotes@ocl.com

- BIOS, TUNABLE WHITE, WARM-DIM, & RGBW LIGHT SOURCES
- SPECIFIC LUMEN OUTPUT
- MODIFIED CLUSTERS OR CONFIGURATIONS / MULTI-DROP CANOPIES
- VARIOUS SHAPES, ARCS, AND CURVES FOR LINEAR PROFILES AND RINGS
- CEILING OR SURFACE MOUNTING
- LARGE SCALE MODIFICATIONS
- RAL, PANTONE, BRAND-SPECIFIC, RETIRED OCL COLOR, OR CUSTOM FINISHES



- EMERGENCY BATTERY BACKUP OR INVERTER OPTIONS
- REMOTE DRIVERS / EXTENDED DISTANCE REMOTE DRIVERS
- DIMMING TO 0.1% (DIM TO DARK)
- NON-STANDARD SIZES OR LENGTHS
- NON-STANDARD CANOPY, BODY AND/OR CORD COLORS
- SEISMIC AND/OR ANTI-SWAY SYSTEMS
- RIGID STEMS
- MODIFIED OVERALL HEIGHTS (LONGER OR SHORTER OAH)
- UPLIGHT ADDITIONS
- LASER ETCHING, ENGRAVING, AND CUTOUTS

The drawings and specifications and ideas, designs and arrangements represented on these drawings are and shall remain the property of The Original Cast Lighting (OCL Architectural Lighting) and no part thereof shall be copied, disclosed, to others or used in conjunction with any work or project other than the specified project for which they have been prepared and developed, without written consent of OCL. Visual contact with these plans or specifications shall constitute conclusive evidence of acceptance of these restrictions. All specifications and information subject to change without notice.