

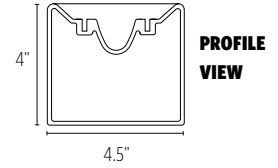


Glowring™

PENDANT

FEATURES

- AVAILABLE IN 80+ CRI AND 90+ CRI
- SEAMLESS ONE-PIECE MOLDED DIFFUSER
- FULLY ENCLOSED TOP SURFACE TO MINIMIZE ACCUMULATION OF DUST AND DEBRIS
- AVAILABLE WITH METAL TRIM ON INNER DIAMETER OR OUTER DIAMETER
- FIELD REPLACEABLE LEDS AND DRIVERS
- 3 STEP LED BINNING



CATALOG CODES

A	B	C	MW	E	F	UNV	H	I	J
SERIES	HANGING SYSTEM	SIZE	DIFFUSER	FINISH	LIGHT SOURCE	VOLTAGE	OAH	CONTROL	OPTIONS

SPECIFY CATALOG CODE																		
A	B	C	D	E														
SERIES	HANGING SYSTEM	SIZE	DIFFUSER	FINISH														
<p>GL1 GLOWRING</p> <p>GL2 GLOWRING OUTER TRIM</p> <p>GL3 GLOWRING INNER TRIM</p>	<p>P1EM PENDANT WITH VERTICAL AIRCRAFT CABLES TO SEPARATE MOUNTING POINTS AND POWER CORD TO CANOPY (REMOTE DRIVER)</p> <p>P1DA PENDANT WITH VERTICAL AIRCRAFT CABLES TO SEPARATE MOUNTING POINTS AND POWER CORD TO CANOPY WITH INTEGRAL DRIVER</p> <p>P1EC PENDANT WITH ANGLED AIRCRAFT CABLES AND POWER CORD TO CANOPY (REMOTE DRIVER)</p> <p>P1DB PENDANT WITH ANGLED AIRCRAFT CABLES AND POWER CORD TO CANOPY WITH INTEGRAL DRIVER</p>	<p>24</p> <p>36</p> <p>48</p> <p>60</p> <p>72</p>	<p>MW MATTE WHITE</p>	<p>POWDER COAT FINISHES</p> <table border="0"> <tr> <td>BKP BLACK</td> <td>MWP MATTE WHITE</td> </tr> <tr> <td>BMP BRASS METALLIC</td> <td>SGP STEEL GRAY</td> </tr> <tr> <td>BNP BRONZE</td> <td>SMP SILVER METALLIC</td> </tr> <tr> <td>BTP BLACK TEXTURED</td> <td>SWP SKY WHITE</td> </tr> <tr> <td>GRP GRAPHITE</td> <td>WTP WHITE TEXTURED</td> </tr> <tr> <td>GLP GOLDTASTIC</td> <td></td> </tr> </table> <p>PREMIUM METAL FINISHES</p> <table border="0"> <tr> <td>BAL BRUSHED ALUMINUM</td> <td>NFA NO FINISH AVAILABLE (GL1 WITH P1EM ONLY)</td> </tr> </table>	BKP BLACK	MWP MATTE WHITE	BMP BRASS METALLIC	SGP STEEL GRAY	BNP BRONZE	SMP SILVER METALLIC	BTP BLACK TEXTURED	SWP SKY WHITE	GRP GRAPHITE	WTP WHITE TEXTURED	GLP GOLDTASTIC		BAL BRUSHED ALUMINUM	NFA NO FINISH AVAILABLE (GL1 WITH P1EM ONLY)
	BKP BLACK	MWP MATTE WHITE																
	BMP BRASS METALLIC	SGP STEEL GRAY																
	BNP BRONZE	SMP SILVER METALLIC																
BTP BLACK TEXTURED	SWP SKY WHITE																	
GRP GRAPHITE	WTP WHITE TEXTURED																	
GLP GOLDTASTIC																		
BAL BRUSHED ALUMINUM	NFA NO FINISH AVAILABLE (GL1 WITH P1EM ONLY)																	

F		G		H	I	J
LIGHT SOURCE		VOLTAGE		OAH*	CONTROL	OPTIONS
LED OUTPUT	COLOR TEMP	COLOR TEMP	UNV 120-277	48	DM1 0-10V DIMMING 1%	ULD DAMP LABEL
LED1	(80+ CRI)	(90+ CRI)		100	DM3 LUTRON HI-LUME ECOSYSTEM 1% (LDE1)	BIOS BIOS SKYBLUE™ OR BIOS SKYBLUE™ DYNAMIC LIGHT ENGINE**
LED2	27K	927K		144		MOD MODIFIED LUMINAIRE (CONTACT LOCAL REP)
	30K	930K				
	35K	935K				
	40K	940K				

SAMPLE CODE: GL1-P1EM-36-MW-NFA-LED1/35K-UNV-48-DM1

*For Minimum OAH, see hanging systems details. Fixture will ship with one of three standard OAH's (48", 100" or 144") field adjustable to the desired height.

**Contact factory for BIOS SkyBlue® or BIOS SkyBlue® Dynamic light engine and control options.

Fixtures with P1EM hanging system, canopy will be MWP unless specified.

Fixtures with P1DA, P1EC and P1DB hanging system, canopy will match finish choice.

Power cord white unless specified.

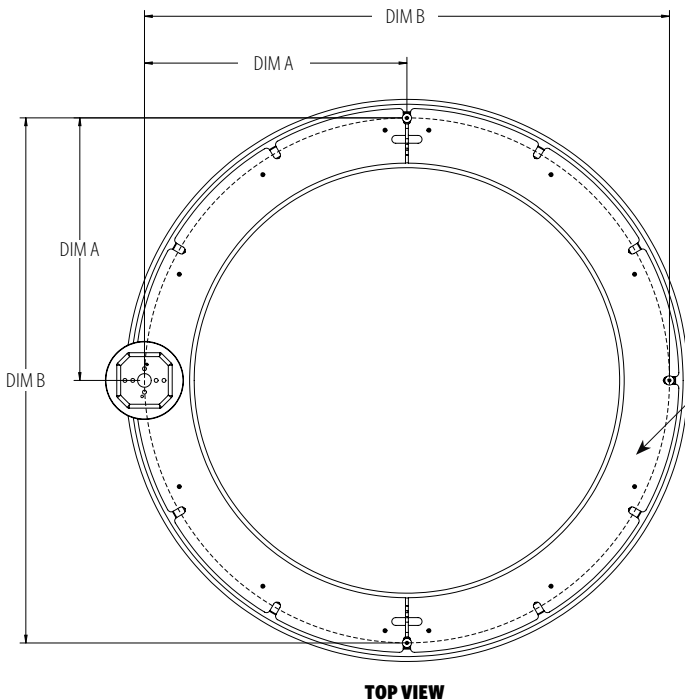
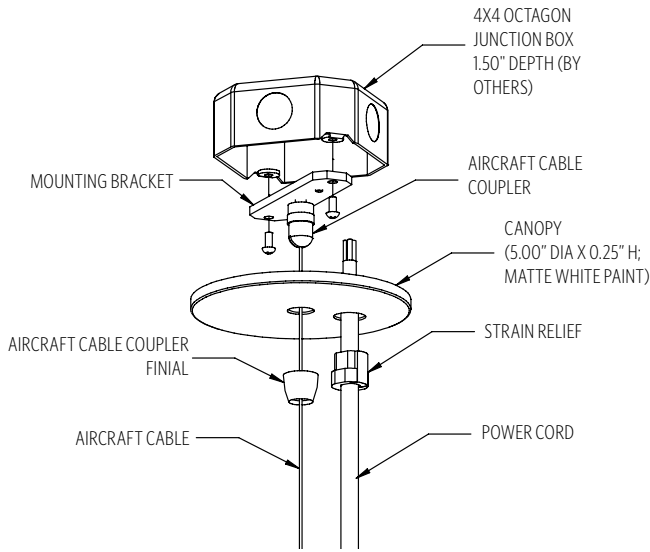
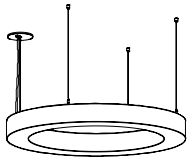
MODS, NOTES, & COMMENTS

		LUMENS AND WATTAGE CHART				
		24	36	48	60	72
LED1	LUMENS DELIVERED	3675	5775	7875	9975	12075
	SYSTEM WATTAGE	35	55	75	95	115
LED2	LUMENS DELIVERED	5115	7905	10695	13485	16275
	SYSTEM WATTAGE	55	85	115	145	175

This chart was created for a 35K color temp. Multiply by 0.95 for 27k color temp, 0.97 for 30k color temp, and 1.03 for 40k color temp. Lumens delivered shown for GL1 only. GL2, and GL3 will have approx. 30% reduction.

Values shown for 80+ CRI. For 90+ CRI lumens use 0.85 multiplier.

PIEM PENDANT WITH VERTICAL AIRCRAFT CABLES TO SEPARATE MOUNTING POINTS AND POWER CORD TO CANOPY (REMOTE DRIVERS)

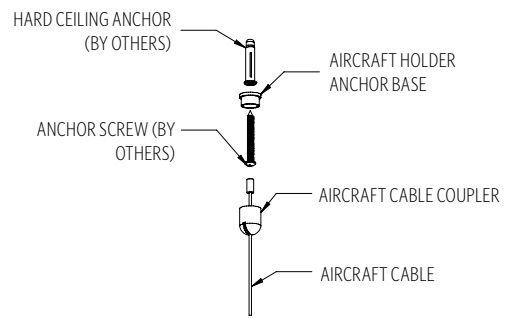


TOP VIEW

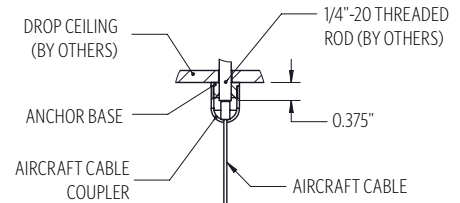
MOUNTING INFORMATION CHART

LUMINAIRE DIAMETER	LUMINAIRE WEIGHT	MOUNTING DISTANCE DIM A	MOUNTING CIRCLE DIM B	MOUNTING POINTS	MIN/MAX OAH
24"	23 LBS	10.67"	21.34"	4	12/144"
36"	31 LBS	16.67"	33.34"	4	12/144"
48"	41 LBS	22.67"	45.34"	4	12/144"
60"	50 LBS	28.67"	57.34"	4	12/144"
72"	58 LBS	34.67"	69.34"	4	12/144"

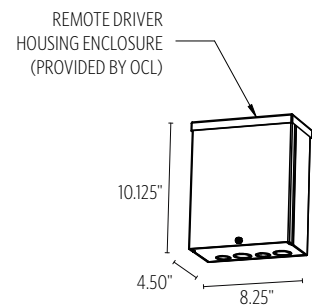
* PIEM ships with one of three OAH's (48", 100" or 144") and is field adjustable to the desired height.
 PIEM will include ETL listed enclosure for remote mounting drivers. Max 30' distance from luminaire for DM1 and 10' max remote distance for DM3. Enclosure must remain accessible after installation.



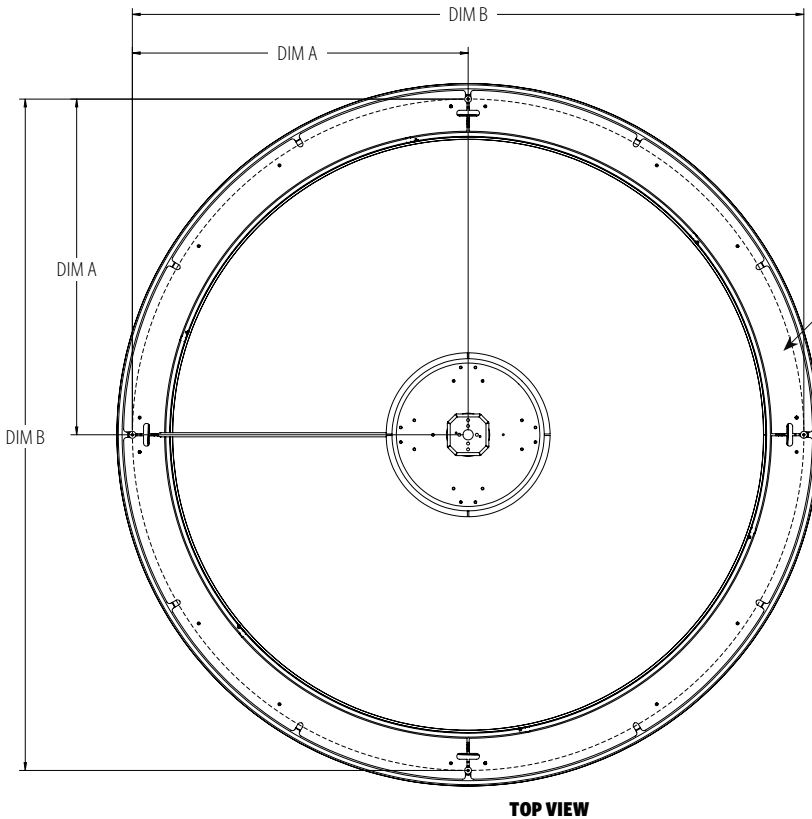
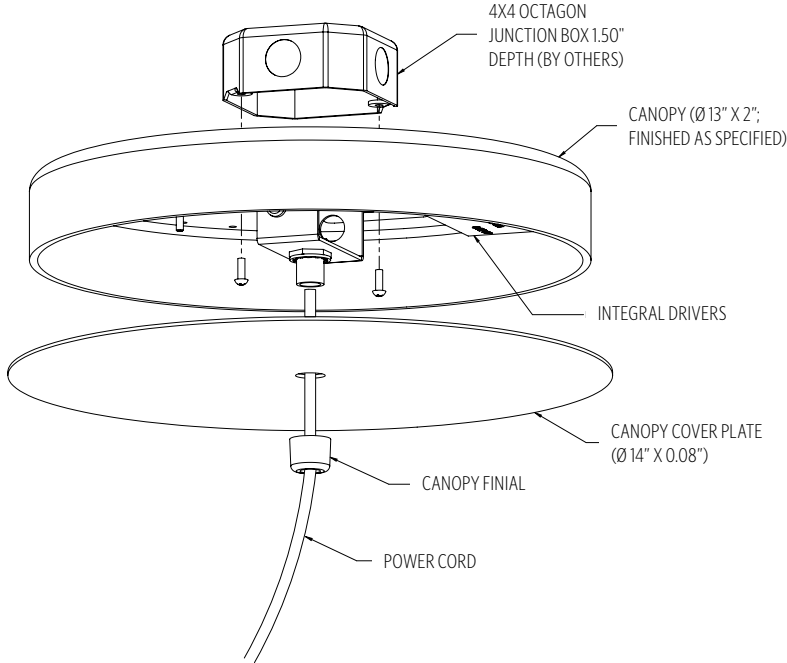
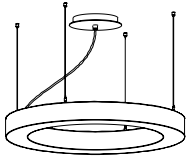
HARD CEILING



DROP CEILING



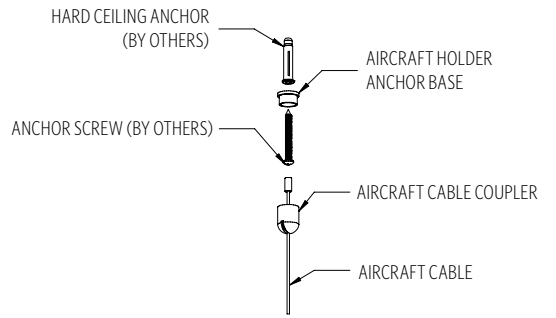
PIDA PENDANT WITH VERTICAL AIRCRAFT CABLES TO SEPARATE MOUNTING POINTS AND POWER CORD TO CANOPY WITH INTEGRAL DRIVER



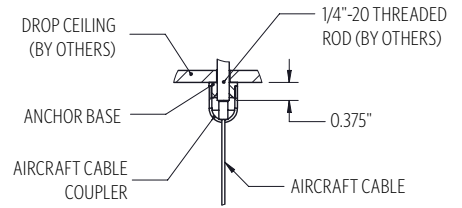
MOUNTING INFORMATION CHART

LUMINAIRE DIAMETER	LUMINAIRE WEIGHT	MOUNTING DISTANCE DIM A	MOUNTING CIRCLE DIM B	MOUNTING POINTS	MIN/MAX OAH
24"	23 LBS	10.67"	21.34"	4	12/144"
36"	31 LBS	16.67"	33.34"	4	12/144"
48"	41 LBS	22.67"	45.34"	4	12/144"
60"	50 LBS	28.67"	57.34"	4	12/144"
72"	58 LBS	34.67"	69.34"	4	12/144"

* PIDA ships with one of three OAH's (48", 100" or 144") and is field adjustable to the desired height.



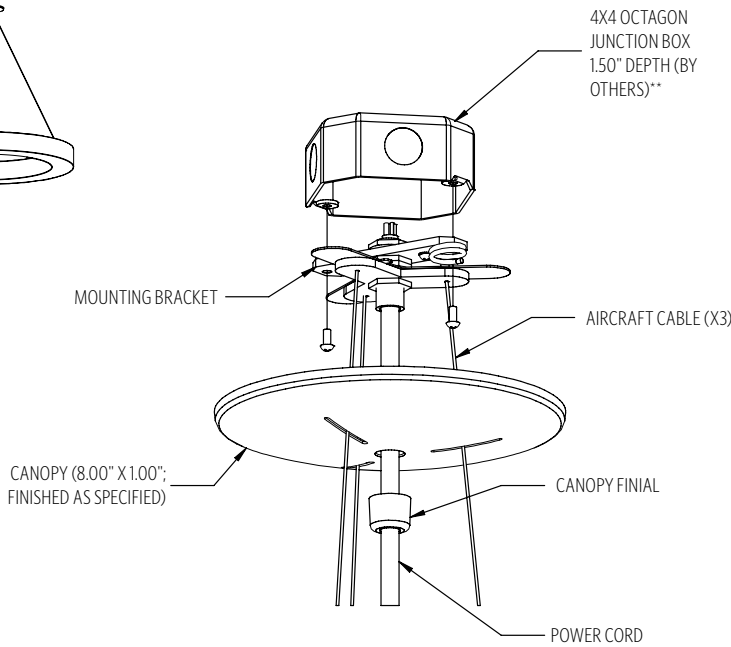
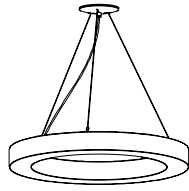
HARD CEILING



DROP CEILING

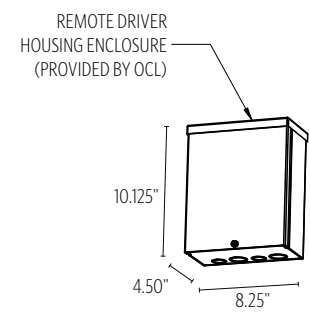
ALUMINUM TOP COVER (MATTE WHITE PAINT)

PIEC PENDANT WITH 3 ANGLED AIRCRAFT CABLES AND A POWER CORD TO CANOPY (REMOTE DRIVERS)

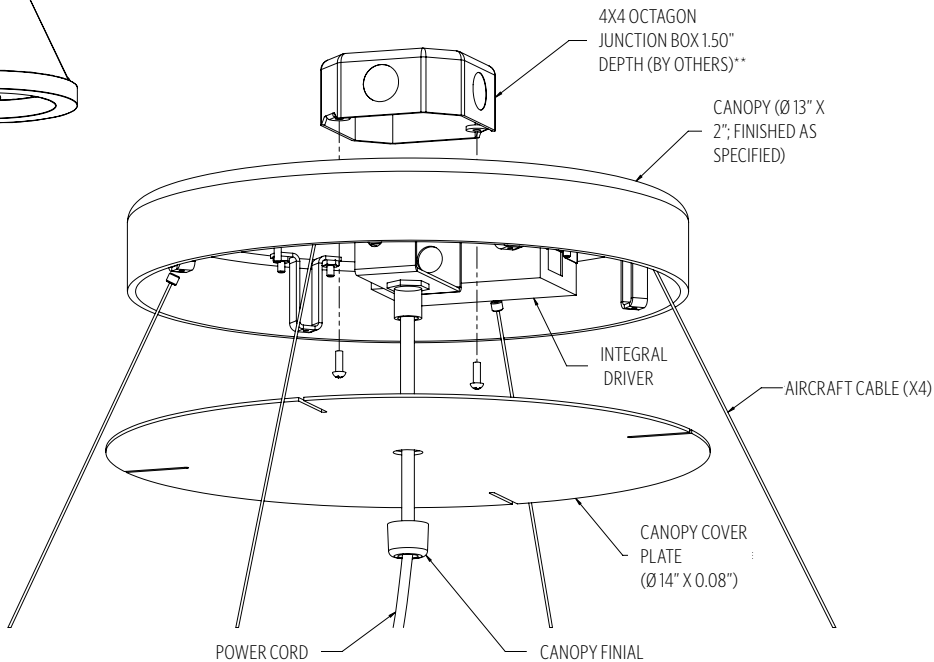
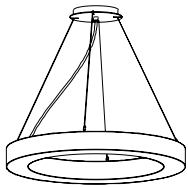


MOUNTING INFORMATION CHART			
LUMINAIRE DIAMETER	LUMINAIRE WEIGHT	MOUNTING POINTS	MIN/MAX OAH
24"	23 LBS	1	24/144"
36"	31 LBS	1	24/144"
48"	41 LBS	1	30/144"
60"	50 LBS	1	36/144"
72"	58 LBS	1	36/144"

* PIEC ships with one of three OAH's (48", 100" or 144") and is field adjustable to the desired height.
 **60" & 72" require structural mounting for the junction box for fixtures over 50 lbs.
 PIEC will include ETL listed enclosure for remote mounting drivers. Max 30' distance from luminaire for DM1 and 10' max remote distance for DM3. Enclosure must remain accessible after installation.



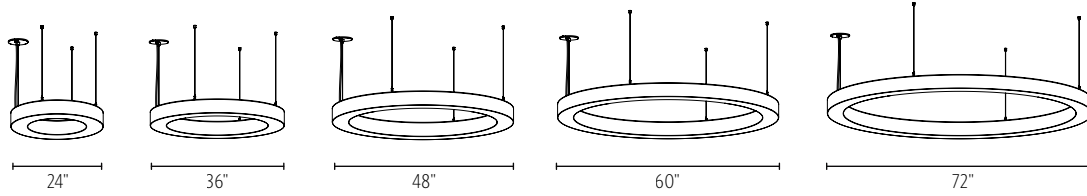
P1DB PENDANT WITH ANGLED AIRCRAFT CABLES AND POWER CORD TO CANOPY WITH INTEGRAL DRIVER



MOUNTING INFORMATION CHART			
LUMINAIRE DIAMETER	LUMINAIRE WEIGHT	MOUNTING POINTS	MIN/MAX OAH
24"	23 LBS	1	24/144"
36"	31 LBS	1	24/144"
48"	41 LBS	1	30/144"
60"	50 LBS	1	36/144"
72"	58 LBS	1	36/144"

* P1DB ships with one of three OAH's (48", 100" or 144") and is field adjustable to the desired height.
 **60" & 72" require structural mounting for the junction box for fixtures over 50 lbs.

SIZES



DIFFUSER

ACRYLIC FINISHES:



MW
MATTE
WHITE

METALLIC POWDER COAT FINISHES:



SMP
SILVER



GRP
GRAPHITE



SGP
STEEL GRAY



GLP
GOLDTASTIC



BMP
BRASS



BNP
BRONZE

PREMIUM METAL FINISHES:



BAL
BRUSHED
ALUMINUM

SOLID POWDER COAT FINISHES:



SWP
SKY WHITE



MWP
MATTE
WHITE



BKP
BLACK

TEXTURED POWDER COAT FINISHES:



BTP
BLACK
TEXTURED



WTP
WHITE
TEXTURED

RAL®, Pantone® or custom finishes are also available.

These colors are for reference only. Please be aware that colors may vary per monitor. Contact your local rep for finish samples or with any questions.

LIGHT SOURCE

LUMENS AND WATTAGE CHART

		24	36	48	60	72
LED1	LUMENS DELIVERED	3675	5775	7875	9975	12075
	SYSTEM WATTAGE	35	55	75	95	115
LED2	LUMENS DELIVERED	5115	7905	10695	13485	16275
	SYSTEM WATTAGE	55	85	115	145	175

This chart was created for a 35K color temp. Multiply by 0.95 for 27k color temp, 0.97 for 30k color temp, and 1.03 for 40k color temp. Lumens delivered shown for GL1 only. GL2, and GL3 will have approx. 30% reduction.

Values shown for 80+ CRI. For 90+ CRI lumens use 0.85 multiplier.

STANDARD COLOR TEMPERATURE OPTIONS	CRI (RA)	
2700K	80+	90+
3000K	80+	90+
3500K	80+	90+
4000K	80+	90+

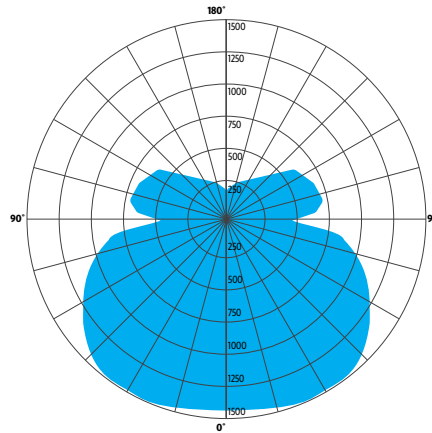
LUMEN MAINTENANCE

REPORTED:	L70 AT >60,000 HRS
CALCULATED:	L70 AT 182,000 HRS
REPORTED:	L90 AT 53,000 HRS
CALCULATED:	L90 AT 53,000 HRS

Derived from EPA TM-21 calculator. Based on typical conditions. Consult the factory for additional details.

PHOTOMETRY:

LUMINAIRE:	GL1-XXXX-48-MW-PTD-LED2/35K-UNV-XS
COLOR TEMP #:	3500K
OUTPUT:	10695
EFFICACY:	105 LM/W
TEST REPORT:	TEST NO. 19440.0



ZONE	LUMENS	% OF LUMINAIRE
0-30	1220	11%
0-60	4370	41%
0-90	7258	68%
90-180	3441	32%

Polar graph and zonal lumens shown for GL1 (GL2 and GL3 pending).

For all available IES files, please visit our website at ocl.com.

CONTROL

DM1 0-10V DIMMING 1%

- 0-10V DIMMING
- 1% MINIMUM DIM LEVEL
- ELECTRONIC DRIVER
- POWER FACTOR >0.9
- THD <20%
- MINIMUM AMBIENT OPERATING TEMPERATURE -22°F
- FIELD REPLACEABLE

DM3 LUTRON HI-LUME ECOSYSTEM 1% (LDE1)

- LUTRON HI-LUME SOFT-ON, FADE-TO-BLACK 1%, ECOSYSTEM, LDE1
- ELECTRONIC DRIVER
- POWER FACTOR >0.9
- THD <20%
- MINIMUM AMBIENT OPERATING TEMPERATURE: -32°F
- FIELD REPLACEABLE

OPTIONS

ULD DAMP LABEL LUMINAIRE

- MAY BE USED IN AN OUTDOOR AREA THAT IS PROTECTED FROM DIRECT CONTACT WITH WIND, RAIN, SNOW OR EXCESSIVE MOISTURE

MOD MODIFIED LUMINAIRE

- LUMINAIRE IS MODIFIED FROM STANDARD OPTIONS; CONTACT LOCAL REP FOR MORE INFORMATION

BIOS

- **BIOS SKYBLUE™ DYNAMIC** LIGHT ENGINE IS DIMMABLE AND FEATURES A SIMPLE APPROACH TO CIRCADIAN LIGHTING CONTROLS.
- WHEN PAIRED WITH THE BIOS BIO-DIMMING MODULE, IT OPERATES USING ANY SINGLE CHANNEL CONSTANT CURRENT (CC) LED DRIVER AND CAN BE USED WITH ANY STANDARD DIMMING INTERFACE/PROTOCOL (0-10V, ELV, DMX, WIRELESS) AND COULD WORK WITH EXISTING TWO-CHANNEL CONTROL SYSTEMS AS WELL.
- VISIT OCL.COM/BIOS FOR MORE INFORMATION

SPECIFICATIONS

CONSTRUCTION

- DIFFUSER IS MOLDED IN ONE PIECE WITHOUT VISIBLE SEAMS OR JOINTS
- LED REFLECTOR ASSEMBLY IS ANODIZED ALUMINUM
- FIXTURE BODY HAS MATTE WHITE ALUMINUM TOP COVER
- HARDWARE IS ZINC PLATED OR STAINLESS STEEL

ELECTRICAL

- DIMMING ELECTRONIC DRIVER(S), COMES STANDARD WITH 0-10V DOWN TO 1%
- LUTRON (LDE1) ECOSYSTEM 1% ALSO AVAILABLE
- OCL PROPRIETARY LED ARRAYS USE NICHIA 757 DIODES
- 80+ CRI = 80 RA, R9 > 0 (10-15 TYP.)
- 90+ CRI = 90 RA, R9 > 50
- **FOR INTEGRAL DRIVERS:** LUMINAIRE CONNECTS TO BUILDING SUPPLY (120V-277V 50/60HZ)
- **FOR REMOTE DRIVERS:** LUMINAIRE WIRE LEADS ARE LOW-VOLTAGE. THE WIRES SHOULD BE CONNECTED TO OCL PROVIDED REMOTE DRIVER ENCLOSURE ONLY!

LISTING

- ETL LISTED TO UL 1598 FOR INDOOR, DRY LOCATION (DAMP LOCATION OPTIONAL)

WARRANTY

- 5 YEAR; ALL ELECTRICAL COMPONENTS RETAIN THE MANUFACTURER'S WARRANTY

BUILD AMERICA, BUY AMERICA (BABA)

- THIS PRODUCT MEETS THE GUIDELINES FOR THE BUILD AMERICA, BUY AMERICA ACT. **SOME EXCLUSIONS APPLY.** FOR MORE INFORMATION AND A FULL LIST OF ELIGIBLE SKUS, VISIT OCL.COM/BABA

SUSTAINABILITY

- **DECLARE:** DECLARE IS AN INGREDIENT LABEL DISCLOSURE FOR BUILDING PRODUCTS THAT IS DESIGNED TO HELP SPECIFIERS QUICKLY IDENTIFY PRODUCTS THAT SUPPORT HUMAN AND ENVIRONMENTAL HEALTH. LEARN MORE AT OCL.COM/DECLARE
- THIS PRODUCT MEETS THE MATERIAL RESTRICTIONS OF ARTICLE 4 OF THE **ROHS** DIRECTIVE (2011/65/EU), INCLUDING COMMISSION DELEGATED DIRECTIVE 2015/863
- **BIOS** LIGHTING CONTRIBUTES TOWARD THE CIRCADIAN LIGHTING DESIGN FEATURE 54 UNDER THE **WELL BUILDING STANDARD™ V1** AND FEATURE L03 UNDER THE **WELL BUILDING STANDARD V2**

Declare.

Glowing, Loop OCL Architectural Lighting

Final Assembly: St Louis, Missouri, USA
Life Expectancy: 10 Year(s)
End of Life Options: Recyclable (93), Landfill (7)

Ingredients:

Aluminum; Polyethylene Terephthalate; Small Electrical Component; Brass; 1-Hexene, polymer with ethene; Steel manufacture, chemicals; Steel; Iron; Poly(mino(1,6-dioxo-1,6-hexanedyl)imino-1,6-hexanedyl); Zinc; Copper; Cobalt; metal powder; Octadecanamide; N,N'-1,2-ethanediybis; Stearic Acid; Benzenamine, 4-(1-methyl-1-phenylethyl)-N-(4-(1-methyl-1-phenylethyl)phenyl)-; Benzenepropanoic acid, 3,5-bis(1-dimethylethyl)-4-hydroxy- octadecyl ester; Titanium dioxide; Nickel (Metallic); Unnamed Substance; Silicon; Tin, Organic; Chromium, metallic; Magnesium; Titanium; Water

¹LBC Temp Exception RL-002 - Small Electrical Components

Living Building Challenge Criteria:

I-13 Red List:

- LBC Red List Free % Disclosed: 100% at 100ppm
- LBC Red List Approved VOC Content: Not Applicable
- Declared

I-10 Interior Performance: Not Compliant
I-14 Responsible Sourcing: Not Applicable

OCL-0004
 EXP 01 OCT 2024
 Original Issue Date: 2023



MANUFACTURER CLAIMS VERIFIED BY SGS GLOBAL SERVICES INTERNATIONAL LIVING FUTURE INSTITUTE™ livingfuture.org/declare

Final assembly location
Where was the product made?

Chemical ingredients
What is in this product?

Red List compliance
Are there Red List ingredients in this product?

Life expectancy + end of life options
How long will this product last + what do you do with it when you're done with it?

VOC info
Does this product off-gas?

DECLARE: PRODUCT TRANSPARENCY IN MANUFACTURING

Declare is the only label that combines material transparency and the Red List. It distills complex chemical ingredient information into an easy to read label. Declare helps specifiers find Red List Free products, which are healthy for people, the environment, and communities.

A product's compliance with the LBC Red List is represented on the Declare® label by the product's Declaration Status. There are three Declaration Statuses:

- **DECLARED (RLD)** products disclose 100% of ingredients present in the final product, but contain one or more Red List chemicals that are not covered by an approved exception.
- **LBC RED LIST APPROVED (RLA)** products disclose a minimum of 99% of ingredients present in the final product and meet the LBC Red List Imperative requirements through one or more approved exceptions.
- **LBC RED LIST FREE (RLF)** products disclose 100% of ingredients present at or above 100 ppm (0.01%) in the final product and do not contain any Red List chemicals.

Need more information? Visit ocl.com/declare to learn more.

COMMON MODIFICATIONS

WE'RE BUILT FOR OUT-OF-THE-BOX THINKERS.

Nearly 50% of OCL fixtures we manufacture have some type of modification. Here is a list of common modifications we frequently produce. **Please contact the factory for modifications specific to your fixture or project.**

Need some help? Simply send your questions to us at OCL-Quotes@ocl.com

- BIOS, TUNABLE WHITE, WARM-DIM, & RGBW LIGHT SOURCES
- SPECIFIC LUMEN OUTPUT
- MODIFIED CLUSTERS OR CONFIGURATIONS / MULTI-DROP CANOPIES
- VARIOUS SHAPES, ARCS, AND CURVES FOR LINEAR PROFILES AND RINGS
- CEILING OR SURFACE MOUNTING
- LARGE SCALE MODIFICATIONS
- RAL, PANTONE, BRAND-SPECIFIC, RETIRED OCL COLOR, OR CUSTOM FINISHES



- EMERGENCY BATTERY BACKUP OR INVERTER OPTIONS
- REMOTE DRIVERS / EXTENDED DISTANCE REMOTE DRIVERS
- DIMMING TO 0.1% (DIM TO DARK)
- NON-STANDARD SIZES OR LENGTHS
- NON-STANDARD CANOPY, BODY AND/OR CORD COLORS
- SEISMIC AND/OR ANTI-SWAY SYSTEMS
- RIGID STEMS
- MODIFIED OVERALL HEIGHTS (LONGER OR SHORTER OAH)
- UPLIGHT ADDITIONS
- LASER ETCHING, ENGRAVING, AND CUTOUTS

The drawings and specifications and ideas, designs and arrangements represented on these drawings are and shall remain the property of The Original Cast Lighting (OCL Architectural Lighting) and no part thereof shall be copied, disclosed, to others or used in conjunction with any work or project other than the specified project for which they have been prepared and developed, without written consent of OCL. Visual contact with these plans or specifications shall constitute conclusive evidence of acceptance of these restrictions. All specifications and information subject to change without notice.