

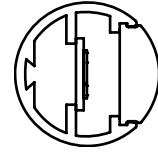


Aro™

PENDANT

FEATURES

- 1.50" MINIMAL PROFILE SIZE
- SILICONE DIFFUSER ELIMINATES LIGHT LEAKS AND VISIBLE SEAMS
- FIELD REPLACEABLE LED ARRAYS AND DRIVER(S) FOR SIMPLE MAINTENANCE
- FIXTURES CAN BE CLUSTERED TOGETHER TO CREATE LARGE SCALE INSTALLATIONS
- CUSTOM SIZES, SHAPES, AND CONFIGURATIONS ARE POSSIBLE




PROFILE VIEW

Ø 1.50"



CATALOG CODES

AO2	-	B	-	C	-	MW	-	E	-	/	-	UNV	-	H	-	DM1	-	J
SERIES		HANGING SYSTEM		SIZE		DIFFUSER		FINISH		LIGHT SOURCE		VOLTAGE		OAH		CONTROL		OPTIONS

SPECIFY CATALOG CODE						
A	B		C	D	E	
SERIES	HANGING SYSTEM		SIZE	DIFFUSER	STANDARD FINISHES	PREMIUM FINISHES
 AO2 ARO	PIEM	PENDANT WITH VERTICAL AIRCRAFT CABLES TO SEPARATE MOUNTING POINTS AND POWER CORD TO CANOPY (REMOTE DRIVER)	24	MW MATTE WHITE	POWDER COAT FINISHES BKP BLACK BMP BRASS METALLIC BNP BRONZE BTP BLACK TEXTURED GRP GRAPHITE GLP GOLDTASTIC MWP MATTE WHITE SGP STEEL GRAY SMP SILVER METALLIC SWP SKY WHITE WTP WHITE TEXTURED	METAL FINISHES BAL BRUSHED ALUMINUM EVERWOODS POWDER COAT FINISHES WPDP WHITE PINE PNDP PINE CRDP CHERRY TKDP TEAK WLDP WALNUT DLDP DARK WALNUT LWDP LIGHT BARNWOOD DWDP DARK BARNWOOD
	PIDA	PENDANT WITH VERTICAL AIRCRAFT CABLES TO SEPARATE MOUNTING POINTS AND POWER CORD TO CANOPY WITH INTEGRAL DRIVER	36			
	PIDB	PENDANT WITH ANGLED AIRCRAFT CABLES AND POWER CORD TO CANOPY WITH INTEGRAL DRIVER	48			
	PIEU	PENDANT WITH 4 ANGLED AIRCRAFT CABLES AND POWER CORD TO CANOPY (REMOTE DRIVER)	60			
			72			

F		G		H	I	J	
LIGHT SOURCE		VOLTAGE		OAH*	CONTROL	OPTIONS	
LED OUTPUT LED1	COLOR TEMP (80+ CRI)	COLOR TEMP (90+ CRI)	UNV 120-277	48	DM1 0-10V DIMMING 1%	ULD	DAMP LABEL
	27K	927K		100		BIOS	BIOS SKYBLUE® OR BIOS SKYBLUE® DYNAMIC LIGHT ENGINE**
	30K	930K		144		MOD	MODIFIED LUMINAIRE (CONTACT LOCAL REP)
	35K	935K					
	40K	940K					

SAMPLE CODE: AO2-PIEM-60-MW-MWP-LED1/27K-UNV-48-DM1

*For Minimum OAH, see hanging systems details. Fixture will ship with one of three standard OAH's (48", 100" or 144") field adjustable to the desired height. For custom OAH, contact your local rep.

**Contact factory for BIOS SkyBlue® or BIOS SkyBlue® Dynamic light engine and control options.

Fixtures with **PIEM** hanging system or any **Everwoods finish**, canopy will be **MWP** unless specified; fixtures with **PIDA**, **PIEU** and **PIDB** hanging system, canopy will match finish choice.

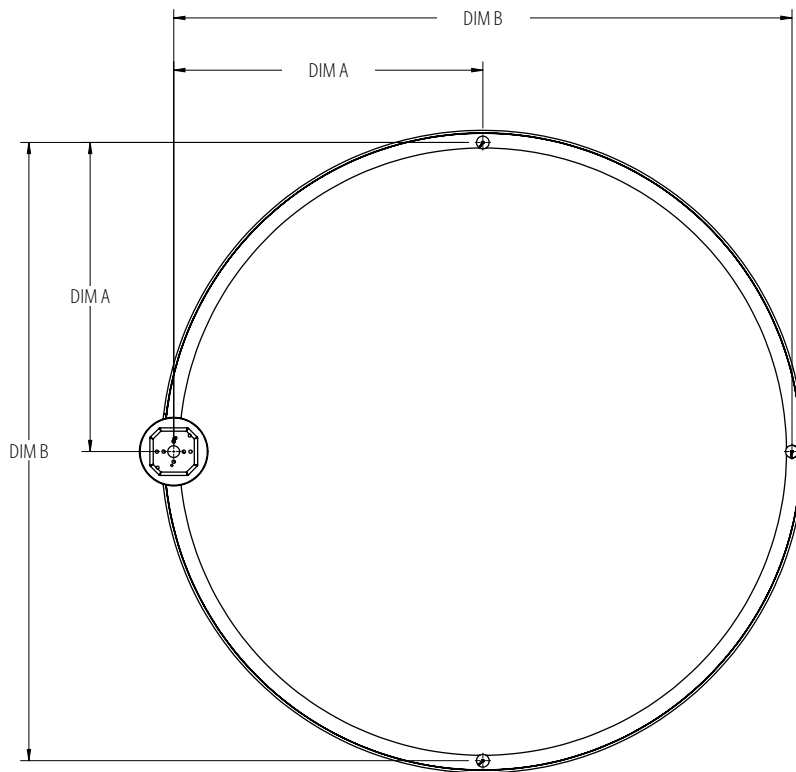
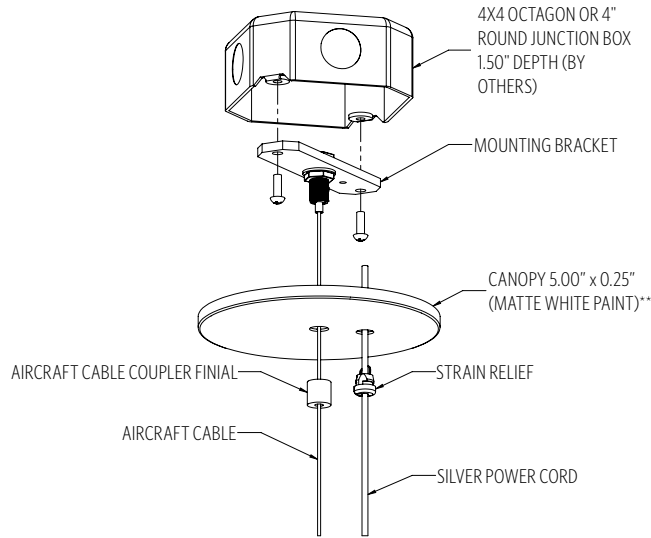
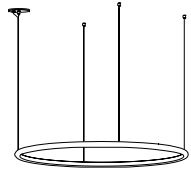
Power cord silver unless specified.

MODS, NOTES, & COMMENTS

LUMENS AND WATTAGE CHART						
		24"	36"	48"	60"	72"
LED1	LUMENS DELIVERED	1440	2040	2760	3360	4080
	SYSTEM WATTAGE	24	34	46	56	68

This chart was created for a 35K color temp. Multiply by 0.95 for 27k color temp, 0.97 for 30k color temp, and 1.03 for 40k color temp. Values shown for 80+ CRI. For 90+ CRI lumens use 0.85 multiplier.

PIEM PENDANT WITH VERTICAL AIRCRAFT CABLES TO SEPARATE MOUNTING POINTS AND POWER CORD TO CANOPY; MOUNTS TO 4X4 OCTAGON J-BOX (BY OTHERS); REMOTE DRIVER ENCLOSURE



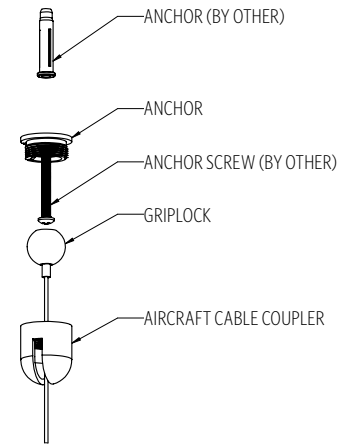
MOUNTING INFORMATION CHART

LUMINAIRE DIAMETER	LUMINAIRE WEIGHT	MOUNTING DISTANCE DIM A	MOUNTING CIRCLE DIM B	MOUNTING POINTS	MIN/MAX OAH
24"	10 LBS	10.375"	20.75"	4	6"/144"
36"	15 LBS	16.375"	32.75"	4	6"/144"
48"	20 LBS	22.50"	45.00"	4	6"/144"
60"	25 LBS	28.125"	56.25"	4	6"/144"
72"	30 LBS	33.875"	67.75"	4	6"/144"

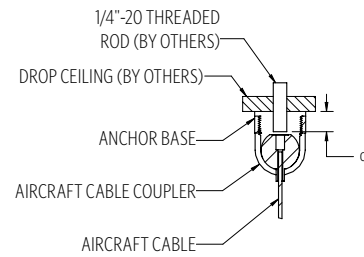
* PIEM ships with one of three OAH's (48", 100" or 144") and is field adjustable to the desired height.

Fixtures with **PIEM hanging system or any **Everwoods finish**, canopy will be **MWP** unless specified

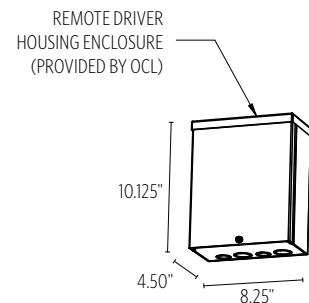
PIEM will include ETL listed enclosure for remote mounting drivers. Max 30' distance from luminaire for DM1 and 10' max remote distance for DM3. Enclosure must remain accessible after installation.



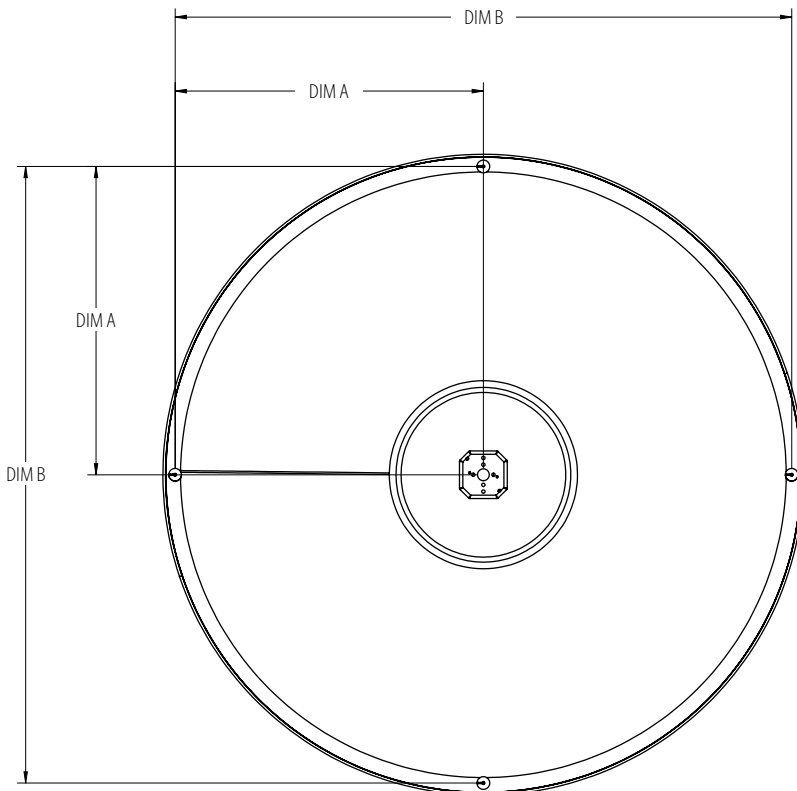
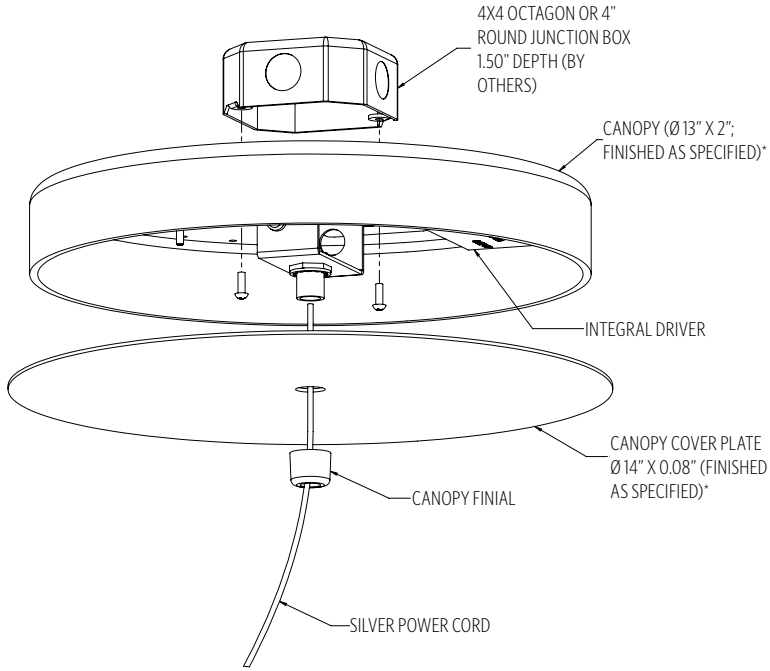
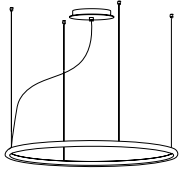
HARD CEILING



DROP CEILING



PIDA PENDANT WITH VERTICAL AIRCRAFT CABLES TO SEPARATE MOUNTING POINTS AND POWER CORD TO CANOPY WITH INTEGRAL DRIVER; MOUNTS TO 4X4 OCTAGON J-BOX (BY OTHERS) **NOTE:** STATIC WHITE ONLY

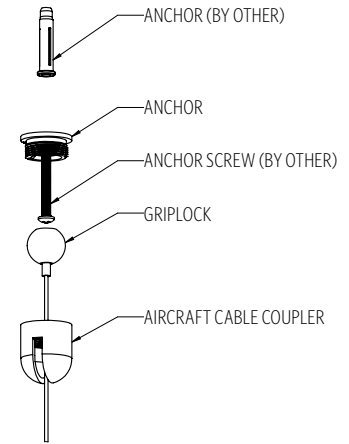


MOUNTING INFORMATION CHART

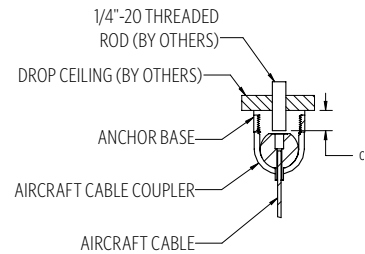
LUMINAIRE DIAMETER	LUMINAIRE WEIGHT	MOUNTING DISTANCE DIM A	MOUNTING CIRCLE DIM B	MOUNTING POINTS	MIN/MAX OAH
24"	10 LBS	10.375"	20.75"	4	6"/144"
36"	15 LBS	16.375"	32.75"	4	6"/144"
48"	20 LBS	22.50"	45.00"	4	6"/144"
60"	25 LBS	28.125"	56.25"	4	6"/144"
72"	30 LBS	33.875"	67.75"	4	6"/144"

PIDA ships with one of three OAH's (48", 100" or 144") and is field adjustable to the desired height. For OAH over 144", contact your local rep

*Fixtures with **PIDA** hanging system, canopy will match finish choice; fixtures with any **Everwoods** finish, canopy will be **MWP** unless specified

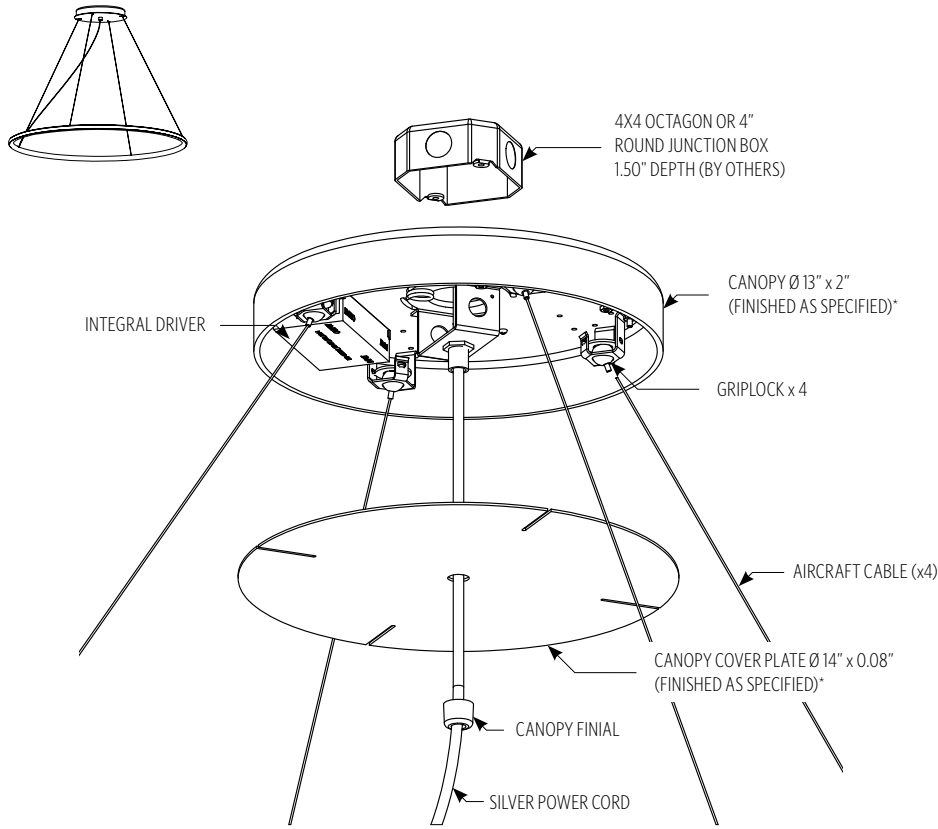


HARD CEILING



DROP CEILING

P1DB PENDANT WITH ANGLED AIRCRAFT CABLES AND POWER CORD TO CANOPY WITH INTEGRAL DRIVER



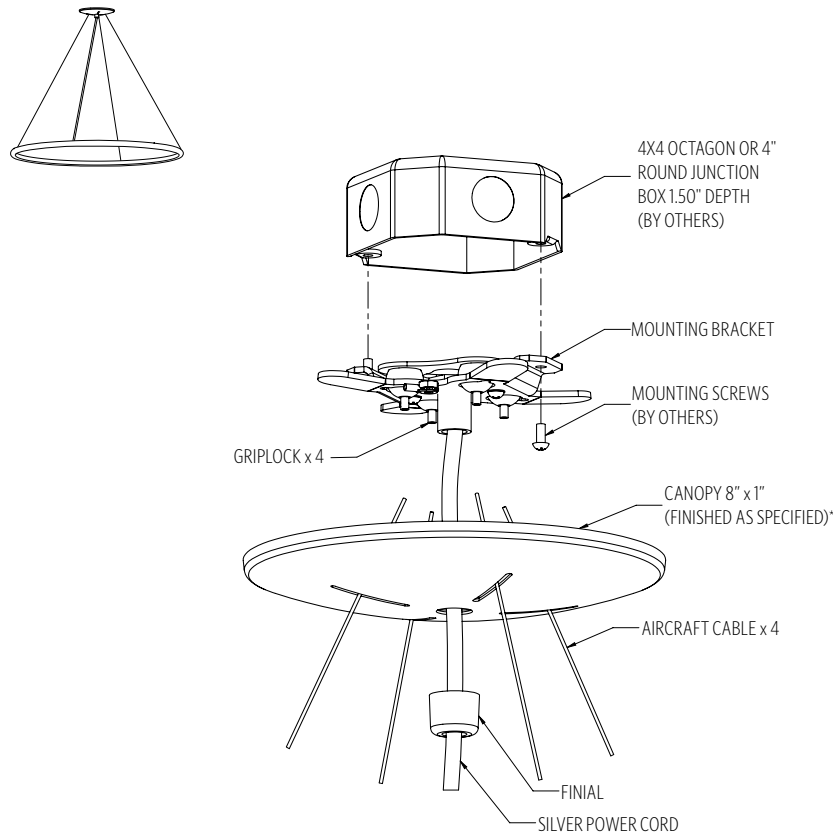
MOUNTING INFORMATION CHART

LUMINAIRE DIAMETER	LUMINAIRE WEIGHT	MOUNTING POINTS	MIN/MAX OAH
24"	12 LBS	1	8"/144"
36"	14 LBS	1	15"/144"
48"	16 LBS	1	22"/144"
60"	18 LBS	1	26"/144"
72"	21 LBS	1	32"/144"

P1DB ships with one of three OAH's (48", 100" or 144") and is field adjustable to the desired height

*Fixtures with **P1DB** hanging system, canopy will match finish choice; fixtures with any **Everwoods finish**, canopy will be **MWP** unless specified

P1EU PENDANT WITH 4 ANGLED AIRCRAFT CABLES AND POWER CORD TO CANOPY (REMOTE DRIVER)



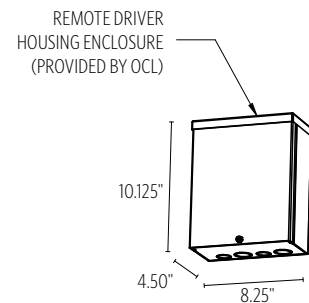
MOUNTING INFORMATION CHART

LUMINAIRE DIAMETER	LUMINAIRE WEIGHT	MOUNTING POINTS	MIN/MAX OAH
24"	12 LBS	1	10"/144"
36"	14 LBS	1	11"/144"
48"	16 LBS	1	14"/144"
60"	18 LBS	1	18"/144"
72"	21 LBS	1	21"/144"

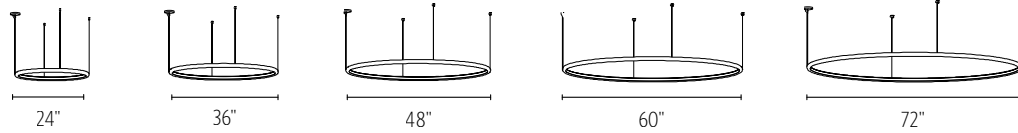
P1EU ships with one of three OAH's (48", 100" or 144") and is field adjustable to the desired height.

*Fixtures with **P1EU** hanging system, canopy will match finish choice; fixtures with any **Everwoods finish**, canopy will be **MWP** unless specified

P1EU will include ETL listed enclosure for remote mounting drivers. Max 30' distance from luminaire for DM1 and 10' max remote distance for DM3. Enclosure must remain accessible after installation.



SIZES



DIFFUSER



FINISH

METALLIC POWDER COAT FINISHES:



PREMIUM METAL FINISHES:



SOLID POWDER COAT FINISHES:



TEXTURED POWDER COAT FINISHES:



RAL[®], Pantone[®] or custom finishes are also available.

These colors are for reference only. Please be aware that colors may vary per monitor. Contact your local rep for finish samples or with any questions.

EVERWOODS POWDER COAT COLLECTION:



LIGHT SOURCE

		SIZE				
		24"	36"	48"	60"	72"
LED1	LUMENS DELIVERED	1440	2040	2760	3360	4080
	SYSTEM WATTAGE	24	34	46	56	68

This chart was created for a 35K color temp. Multiply by 0.95 for 27k color temp, 0.97 for 30k color temp, and 1.03 for 40k color temp. Values shown for 80+ CRI. For 90+ CRI lumens use 0.85 multiplier.

STANDARD COLOR TEMPERATURE OPTIONS	CRI	
	2700K	80+
3000K	80+	90+
3500K	80+	90+
4000K	80+	90+

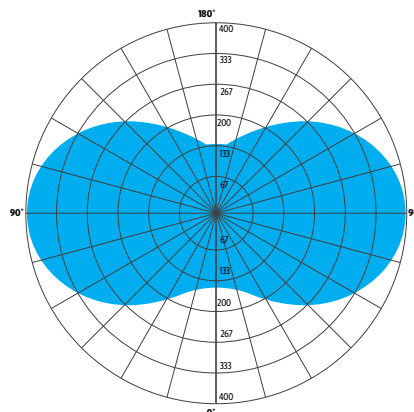
For 80+ CRI - 80 RA, R9 > 0 (10-15 TYP.); For 90+ CRI - 90 RA, R9 > 50

ZONE	% OF LUMINAIRE
0-30	4%
0-60	20%
0-90	51%
90-180	49%
0-180	100%

LUMEN MAINTENANCE

REPORTED: L70 AT >60,000 HRS
 CALCULATED: L70 AT 185,000 HRS
 REPORTED: L90 AT 54,000 HRS
 CALCULATED: L90 AT 54,000 HRS

Derived from EPA TM-21 calculator. Based on typical conditions. Consult the factory for additional details



CONTROL

DM1 0-10V DIMMING 1%

- 0-10V DIMMING
- 1% MINIMUM DIM LEVEL
- ELECTRONIC DRIVER
- POWER FACTOR >0.9
- THD <20%
- MINIMUM AMBIENT OPERATING TEMPERATURE -22°F
- FIELD REPLACEABLE

OPTIONS

ULD DAMP LABEL LUMINAIRE

- MAY BE USED IN A OUTDOOR AREA THAT IS PROTECTED FROM DIRECT CONTACT WITH WIND, RAIN, SNOW OR EXCESSIVE MOISTURE

MOD MODIFIED LUMINAIRE

- LUMINAIRE IS MODIFIED FROM STANDARD OPTIONS; CONTACT LOCAL REP FOR MORE INFORMATION

BIOS

- **BIOS SKYBLUE™** DYNAMIC LIGHT ENGINE IS DIMMABLE AND FEATURES A SIMPLE APPROACH TO CIRCADIAN LIGHTING CONTROLS.
- WHEN PAIRED WITH THE BIOS BIO-DIMMING MODULE, IT OPERATES USING ANY SINGLE CHANNEL CONSTANT CURRENT (CC) LED DRIVER AND CAN BE USED WITH ANY STANDARD DIMMING INTERFACE/PROTOCOL (0-10V, ELV, DMX, WIRELESS) AND COULD WORK WITH EXISTING TWO-CHANNEL CONTROL SYSTEMS AS WELL.
- VISIT **OCL.COM/BIOS** FOR MORE INFORMATION

SPECIFICATIONS

CONSTRUCTION

- EXTRUDED ALUMINUM BODY
- FROSTED OPAL SILICONE DIFFUSER
- GALVANIZED STEEL AIRCRAFT CABLE
- HARDWARE IS ZINC PLATED STEEL OR STAINLESS STEEL
- ALUMINUM OR STEEL CANOPY

MOUNTING

- **PIEM, PIDA, P1DB** AND **PIEU** ALL MOUNT TO 4X4" OCTAGON OR 4" ROUND J-BOX (BY OTHER)

ELECTRICAL

- DIMMING ELECTRONIC DRIVER(S), COMES STANDARD WITH 0-10V DOWN TO 1%
- LUTRON (LDE1) ECOSYSTEM 1% ALSO AVAILABLE
- OCL PROPRIETARY LED ARRAYS USE NICHIA 757 DIODES
- **FOR INTEGRAL DRIVERS:** LUMINAIRE CONNECTS TO BUILDING SUPPLY (120V-277V 50/60HZ)
- **FOR REMOTE DRIVERS:** LUMINAIRE WIRE LEADS ARE LOW-VOLTAGE. THE WIRES SHOULD BE CONNECTED TO OCL PROVIDED REMOTE DRIVER ENCLOSURE ONLY!

LISTING

- **PIDA** AND **P1DB** ETL LISTED TO UL 1598 FOR INDOOR, DRY LOCATION [DAMP LOCATION OPTIONAL]
- **PIEM** ETL LISTED TO UL 2108 FOR INDOOR, DRY LOCATION [DAMP LOCATION OPTIONAL]

WARRANTY

- 5 YEAR; ALL ELECTRICAL COMPONENTS RETAIN THE MANUFACTURER'S WARRANTY

BUILD AMERICA, BUY AMERICA (BABA)

- THIS PRODUCT MEETS THE GUIDELINES FOR THE BUILD AMERICA, BUY AMERICA ACT. **SOME EXCLUSIONS APPLY.** FOR MORE INFORMATION AND A FULL LIST OF ELIGIBLE SKUS, VISIT **OCL.COM/BABA**

SUSTAINABILITY

- THIS PRODUCT MEETS THE MATERIAL RESTRICTIONS OF ARTICLE 4 OF THE ROHS DIRECTIVE (2011/65/EU), INCLUDING COMMISSION DELEGATED DIRECTIVE 2015/863
- **BIOS** LIGHTING CONTRIBUTES TOWARD THE CIRCADIAN LIGHTING DESIGN FEATURE 54 UNDER THE **WELL BUILDING STANDARD™ V1** AND FEATURE L03 UNDER THE **WELL BUILDING STANDARD V2**

COMMON MODIFICATIONS

WE'RE BUILT FOR OUT-OF-THE-BOX THINKERS.

Nearly 50% of OCL fixtures we manufacture have some type of modification. Here is a list of common modifications we frequently produce. **Please contact the factory for modifications specific to your fixture or project.**

Need some help? Simply send your questions to us at **OCL-Quotes@ocl.com**

- BIOS, TUNABLE WHITE, WARM-DIM, & RGBW LIGHT SOURCES
- SPECIFIC LUMEN OUTPUT
- MODIFIED CLUSTERS OR CONFIGURATIONS / MULTI-DROP CANOPIES
- VARIOUS SHAPES, ARCS, AND CURVES FOR LINEAR PROFILES AND RINGS
- CEILING OR SURFACE MOUNTING
- LARGE SCALE MODIFICATIONS
- RAL, PANTONE, BRAND-SPECIFIC, RETIRED OCL COLOR, OR CUSTOM FINISHES



- EMERGENCY BATTERY BACKUP OR INVERTER OPTIONS
- REMOTE DRIVERS / EXTENDED DISTANCE REMOTE DRIVERS
- DIMMING TO 0.1% (DIM TO DARK)
- NON-STANDARD SIZES OR LENGTHS
- NON-STANDARD CANOPY, BODY AND/OR CORD COLORS
- SEISMIC AND/OR ANTI-SWAY SYSTEMS
- RIGID STEMS
- MODIFIED OVERALL HEIGHTS (LONGER OR SHORTER OAH)
- UPLIGHT ADDITIONS
- LASER ETCHING, ENGRAVING, AND CUTOUTS

The drawings and specifications and ideas, designs and arrangements represented on these drawings are and shall remain the property of The Original Cast Lighting (OCL Architectural Lighting) and no part thereof shall be copied, disclosed, to others or used in conjunction with any work or project other than the specified project for which they have been prepared and developed, without written consent of OCL. Visual contact with these plans or specifications shall constitute conclusive evidence of acceptance of these restrictions. All specifications and information subject to change without notice.