

INSTALLATION INSTRUCTIONS UNA SCONCE WITH S1SA HANGING SYSTEM

These Instructions cover the UNA luminaire with the following options:

SERIES	HANGING SYSTEM	SIZE	LIGHT SOURCE	CONTROL	WIRE LABEL TABLE
UA1: UNA	S1SA:INDOOR ADA COMPLIANT SCONCE	24"	STATIC WHITE	DM1: 0-10V DIMMING 1%	WIRE LABEL TABLE ON PAGE 5
		36"			
		48"			
		60"			
		89"			

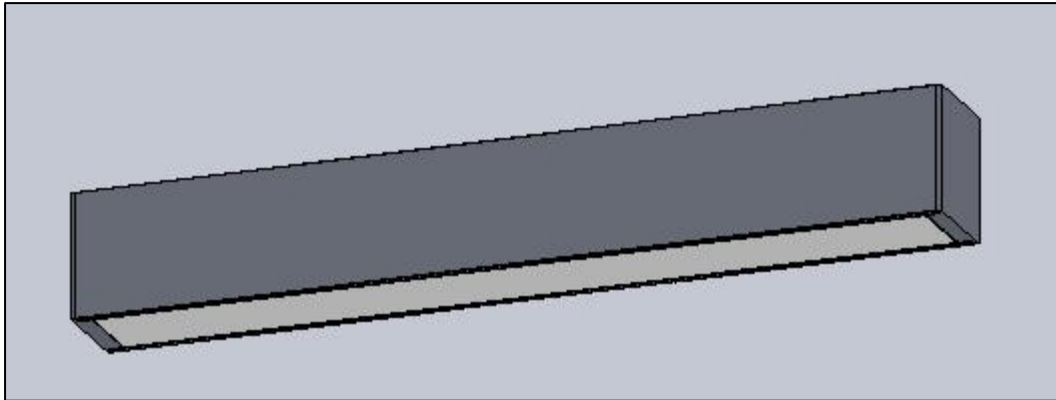


FIG. 1- UA1-S1SA-XX-MW-XXX-LEDX_XXK-UNV-DM1

GENERAL NOTES:

1. PLEASE COMPLETELY READ THE INSTALL INSTRUCTIONS BEFORE STARTING INSTALLATION.
2. TURN OFF POWER TO CIRCUIT FIXTURE WHILE IT IS BEING INSTALLED.
3. INSTALL IN ACCORDANCE WITH ALL LOCAL, STATE AND NATIONAL CODES CONSULT WITH A QUALIFIED ELECTRICIAN FOR PROPER INSTALLATION.
4. CAREFULLY UNPACK ALL CONTENTS; SOME COMPONENTS MAY HAVE BEEN SHIPPED IN SEPARATE BOXES. MOST FIXTURES ARE SHIPPED PARTIALLY ASSEMBLED. SOME UNASSEMBLY MAY BE REQUIRED FOR INSTALLATION.
5. DO NOT LET THE LUMINAIRE HANG FROM THE WIRE CONNECTIONS.

Table of Contents

GENERAL INFORMATION:.....	3
UNA MOUNTING:.....	4

UA1-S1SA-XX-INSTALLATION INSTRUCTIONS

GENERAL INFORMATION:

You will receive the following with each UNA series pendant fixture:

1. UNA LUMINAIRE. (shown in FIG. 2)
2. INSTALLATION INSTRUCTIONS (shown in FIG. 3) - Please completely read the install instructions before starting installation.
3. RED BAG (shown in FIG. 3) contains below following items
 - a. ANCHOR BRACKET (as shown in FIG. 4)
 - b. ANCHOR BRACKET SCREWS (as shown in FIG. 5)

WARNING: Examine all components for any damage before beginning installation.

WARNING: This fixture should be installed by a licensed electrician only.

WARNING: Be careful not to scratch or damage any finished parts.

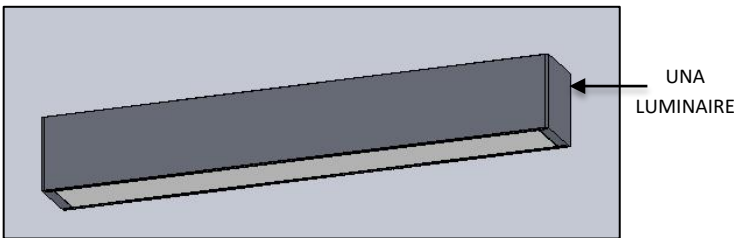


FIG.2 - UNA LUMINAIRE

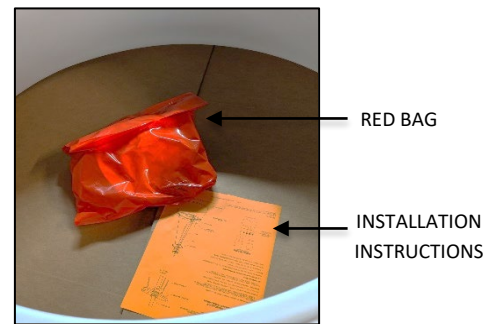


FIG.3 - RED BAG AND INSTALLATION INSTRUCTIONS

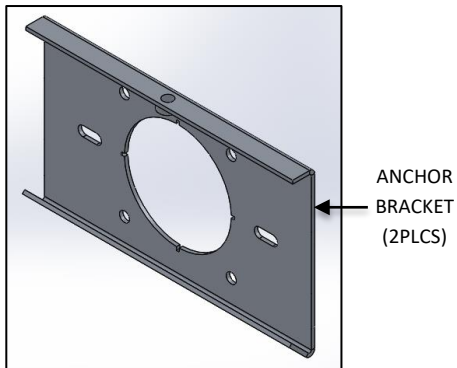


FIG.4- ANCHOR BRACKET

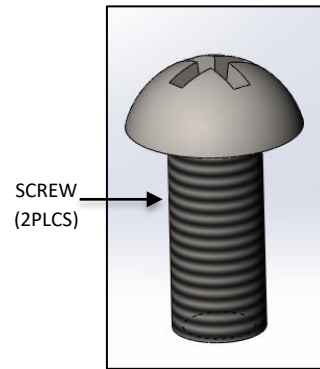



FIG.5 - SCREW

UA1-S1SA-XX-INSTALLATION INSTRUCTIONS

UNA MOUNTING:

1. Measure for the placement of the ANCHOR BRACKET to the right of the J-BOX (see table). as shown in FIG. 6.

MOUNTING INFORMATION CHART				
SERIES	LUMINAIRE SIZE	LUMINAIRE WEIGHT	MOUNTING DISTANCE	MOUNTING POINT
 <p>UA1(UNA)</p>	24"	8 LBS	12.0"	2
	36"	10.5 LBS	24.0"	
	48"	13 LBS	36.0"	
	60"	15.5 LBS	48.0"	
	89"	21.5 LBS	77.0"	

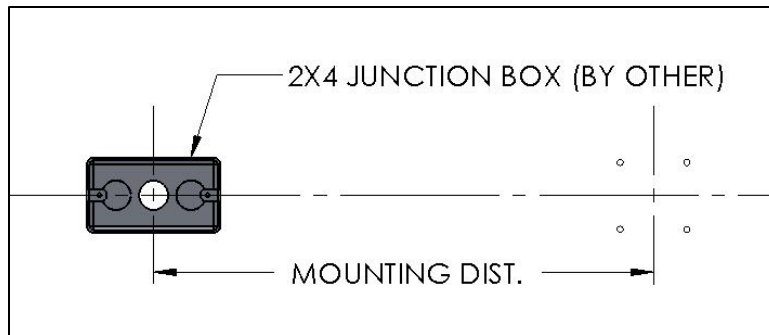


FIG. 6- VIEW SHOWING MOUNTING INFORMATION

2. Attach ONE ANCHOR BRACKET TO 2X4 JBOX (BY OTHER) and another ANCHOR BRACKET to wall as shown in FIG.7.

NOTE: Use ANCHORS which are rated for at least 50LB and suitable for the wall material

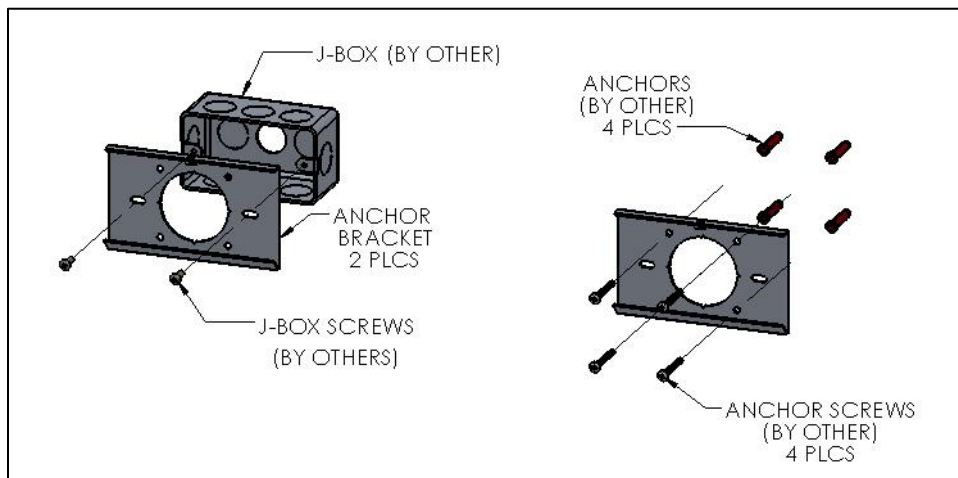


FIG. 7- ANCHOR BRACKET INSTALLATION

UA1-S1SA-XX-INSTALLATION INSTRUCTIONS

- Remove END CAP and DIFFUSER, Release REFLECTOR by using flat screw driver to Release the tab. Lift one lever on each terminal block to release one of the two wires allowing the REFLECTOR to be removed from FIXTURE (Quantity varies) as shown in FIG.8.

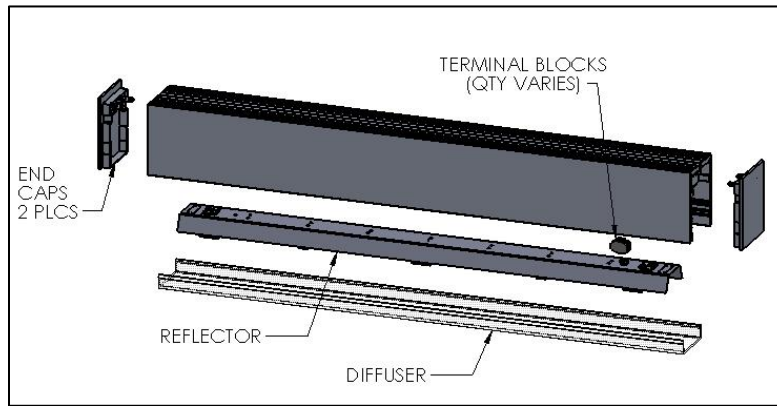


FIG. 8- FIXTURE DISASSEMBLY

- Pull BUILDING SUPPLY wires into the FIXTURE and attach the FIXTURE to the MOUNTING BRACKET (ANCHOR BRACKET) and secure with the SCREWS provided as shown FIG. 9.

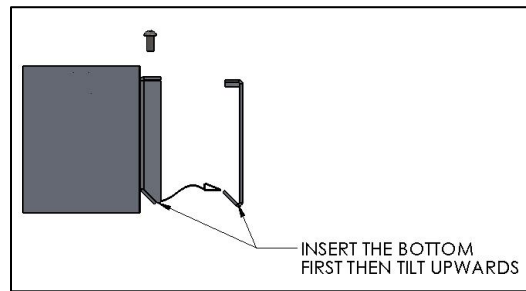


FIG. 9- FIXTURE INSTALLATION

- Make wire connections in accordance with the NATIONAL ELECTRICAL CODE, and applicable LOCAL AND STATE CODES. Reattach wires into corresponding terminal blocks (red wire with red wire, etc.) Make sure to keep wire colors consistent. See wire label table as shown in fig. 10 for wire connection.

SERIES	HANGING SYSTEM	SIZE	LIGHT SOURCE	LED OUTPUT	CONTROL	WIRE LABEL TABLE
1.UA1 (UNA)	S1SA: INDOOR ADA COMPLIANT SCONCE	24"	STATIC WHITE	LED 1 & LED2	DM1: 0-10V DIMMING 1%	WIRE LABEL TABLE ON PAGE 5
		36"				
		48"				
		60"				
		89"				

DRIVER WIRES TO BUILDING SUPPLY

BLACK WIRE = LINE VOLTAGE
 WHITE WIRE = NEUTRAL
 GREEN WIRE = GROUND
 PURPLE = DIM +
 GREY = DIM -

FIG. 10 -BUILDING SUPPLY WIRE CONNECTION

OCL Architectural Lighting

Phone: 314.863.1895

Fax: 314.863.3278

www.ocl.com

UA1-S1SA-XX-INSTALLATION INSTRUCTIONS

6. Attach REFLECTOR, use a flat screw driver to snap tabs back in place. as shown FIG. 11.

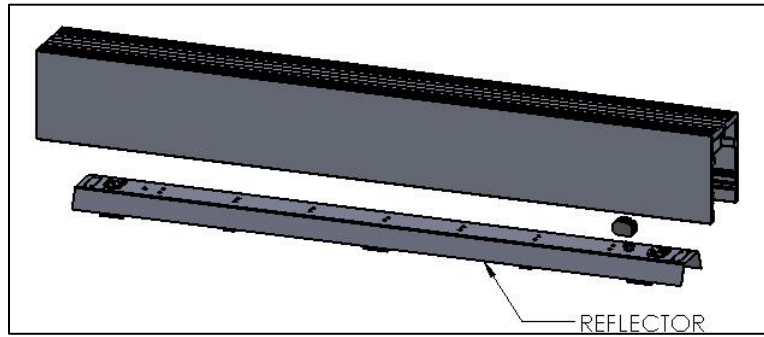


FIG. 11 –REFLECTOR INSTALLATION

7. Reattach DIFFUSER and END CAP. as shown FIG. 12.

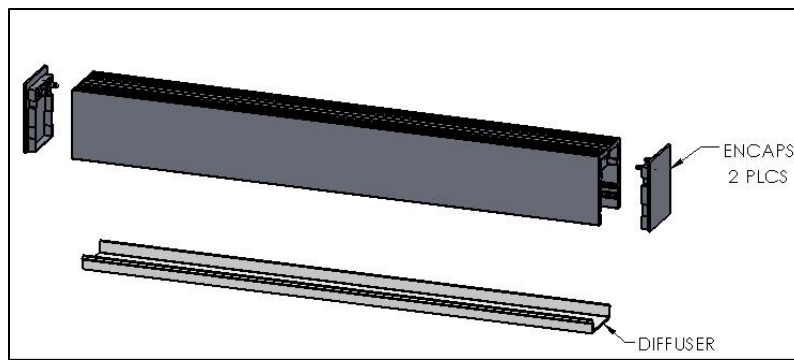


FIG. 12 –COMPLETE FIXTURE INSTALLATION

8. Restore power to circuit the UNA series SCONCE is connected to.
- Test to see that the luminaire turns on after power is restored.
 - Contact OCL for any luminaire troubleshooting if a problem occurs.



FIG. 13 – COMPLETED INSTALLATION OF UNA
SCONCE WITH S1SA HANGING SYSTEM
(AS SHOWN)