

INSTALLATION INSTRUCTIONS UNA CEILING WITH C1NA HANGING SYSTEM

These Instructions cover the UNA luminaire with the following options:

SERIES	HANGING SYSTEM	SIZE	LIGHT SOURCE	CONTROL	WIRE LABEL TABLE
UA1: UNA	C1NA: SURFACE CEILING MOUNT	24"	STATIC WHITE	DM1: 0-10V DIMMING 1%	WIRE LABEL TABLE ON PAGE 5
		36"			
		48"			
		60"			
		89"			

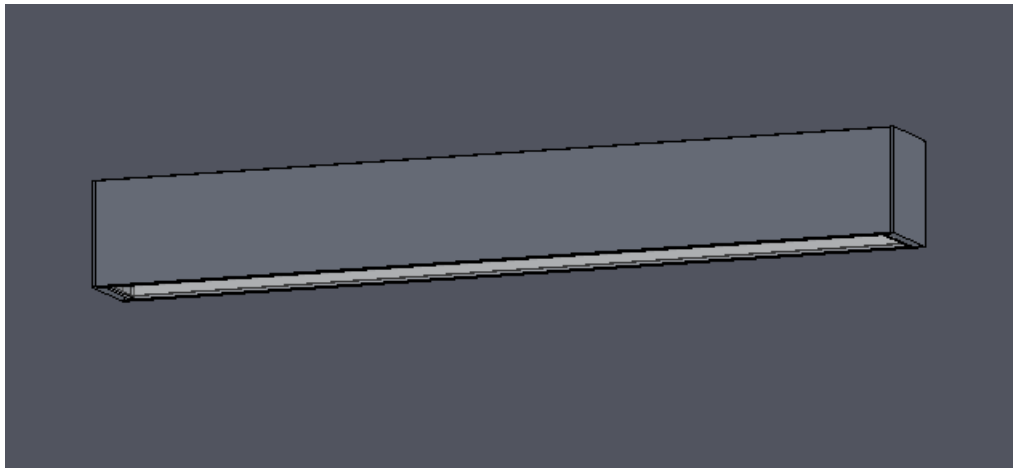


FIG. 1- UA1-C1NA-XX-MW-XXX-LEDX_XXK-UNV-DM1

GENERAL NOTES:

1. PLEASE COMPLETELY READ THE INSTALL INSTRUCTIONS BEFORE STARTING INSTALLATION.
2. TURN OFF POWER TO CIRCUIT FIXTURE WHILE IT IS BEING INSTALLED.
3. INSTALL IN ACCORDANCE WITH ALL LOCAL, STATE AND NATIONAL CODES CONSULT WITH A QUALIFIED ELECTRICIAN FOR PROPER INSTALLATION.
4. CAREFULLY UNPACK ALL CONTENTS; SOME COMPONENTS MAY HAVE BEEN SHIPPED IN SEPARATE BOXES. MOST FIXTURES ARE SHIPPED PARTIALLY ASSEMBLED. SOME UNASSEMBLY MAY BE REQUIRED FOR INSTALLATION.
5. DO NOT LET THE UNA LUMINAIRE HANG FREE FROM WIRE CONNECTIONS UNTIL ANCHOR SCREWS ARE SECURED TIGHTLY.

Table of Contents

GENERAL INFORMATION:3
UNA MOUNTING:4

UA1-C1NA-XX-INSTALLATION INSTRUCTIONS

GENERAL INFORMATION:

You will receive the following with each UNA C1NA series fixture:

1. UNA LUMINAIRE. (shown in FIG. 2)
2. INSTALLATION INSTRUCTIONS (shown in FIG. 3) - Please completely read the install instructions before starting installation.

WARNING: Examine all components for any damage before Starting installation.

WARNING: This fixture should be installed by a licensed electrician only.

WARNING: Be careful not to scratch or damage any finished parts.

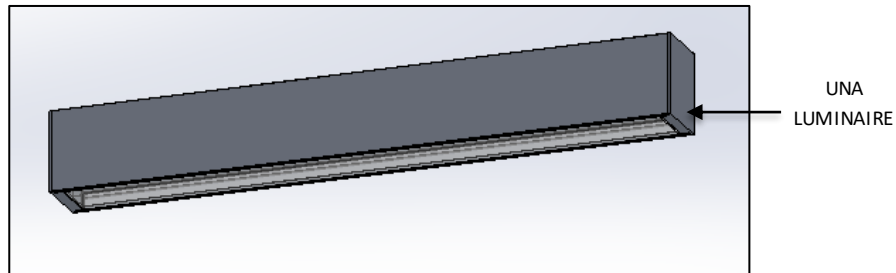


FIG.2 - UNA LUMINAIRE

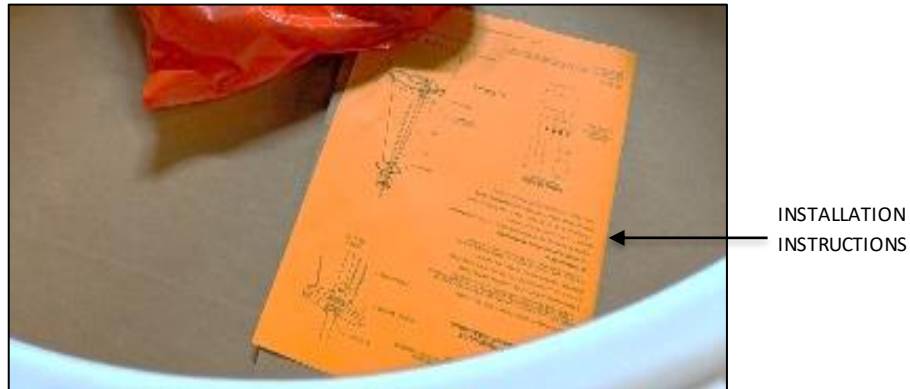


FIG.3 - INSTALLATION INSTRUCTIONS

OCL Architectural Lighting

Phone: 314.863.1895


Fax: 314.863.3278

www.ocl.com

UA1-C1NA-XX-INSTALLATION INSTRUCTIONS

UNA MOUNTING:

1. Turn off power.
2. Mark the location of the ANCHORS as per MOUNTING CHART INFORMATION (see table) and MOUNTING DISTANCE as shown in FIG. 4.

MOUNTING INFORMATION CHART				
SERIES	LUMINAIRE SIZE	LUMINAIRE WEIGHT	MOUNTING DISTANCE	MOUNTING POINT
 UA1: UNA	24"	8 LBS	21.0"	2
	36"	10.5 LBS	34.0"	
	48"	13 LBS	46.0"	
	60"	15.5 LBS	57.0"	
	89"	21.5 LBS	86.0"	

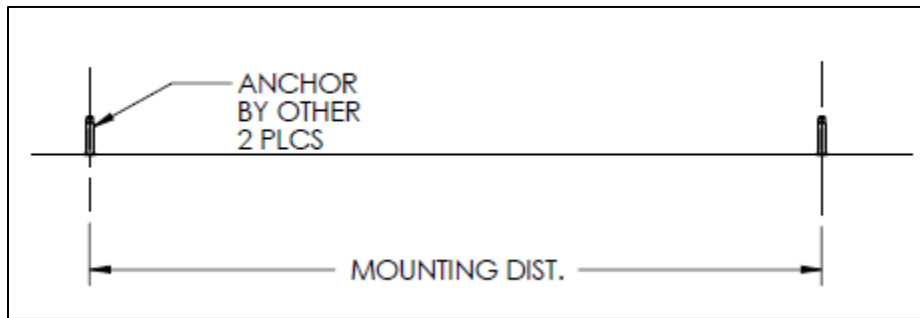


FIG.4- FIGURE SHOWING MOUNTING INFORMATION

3. Remove END CAP and DIFFUSER, Release REFLECTOR by using flat screwdriver to Release the tab. Lift one lever on each terminal block to release one of the two wires allowing the REFLECTOR to be removed from FIXTURE (Quantity varies) as shown in FIG.5.

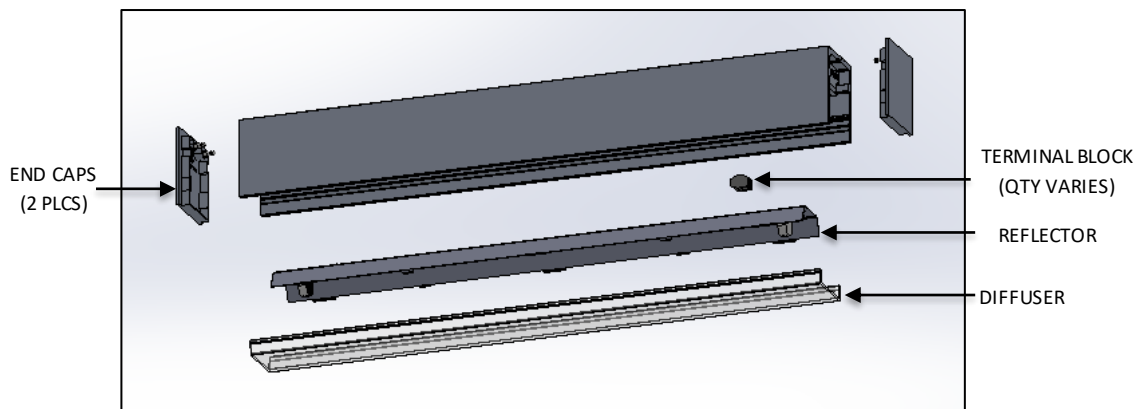


FIG.5- FIXTURE DISSASSEMBLY

OCL Architectural Lighting

Phone: 314.863.1895

Fax: 314.863.3278

www.ocl.com

UA1-C1NA-XX-INSTALLATION INSTRUCTIONS

4. Install the conduit with the supply wires onto the fixture and secure the nut. Raise the fixture and secure with the appropriate ANCHORS (By others) as shown in FIG.6.

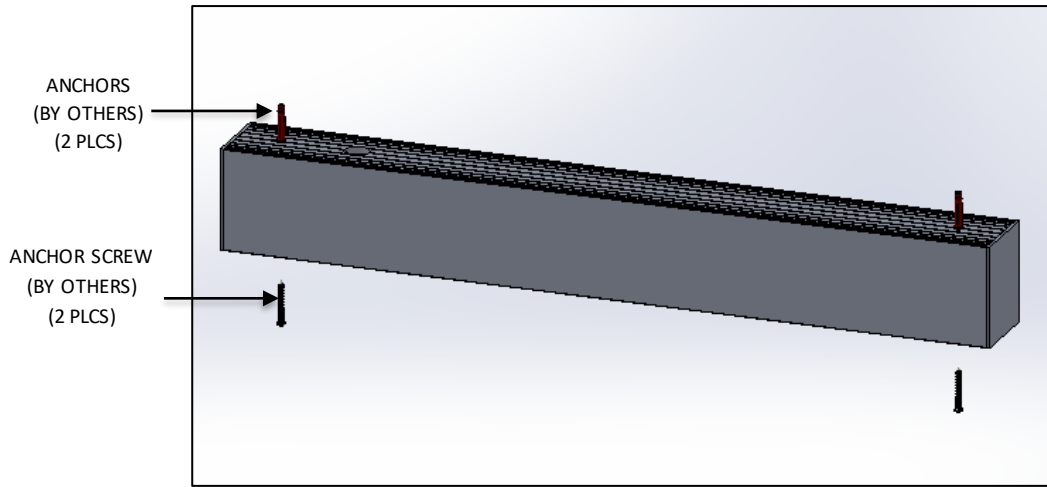


FIG. 6 –ANCHORS INSTALLATION

5. Make wire connections in accordance with the NATIONAL ELECTRICAL CODE, and applicable LOCAL AND STATE CODES. Reattach wires into corresponding terminal blocks (red wire with red wire, etc.) Make sure to keep wire colors consistent. See WIRE LABEL TABLE as shown in FIG. 7 for wire connection.

SERIES	HANGING SYSTEM	SIZE	LIGHT SOURCE	LED OUTPUT	CONTROL	WIRE LABEL TABLE
1.UA1 (UNA)	C1NA: SURFACE CEILING MOUNT	24"	STATIC WHITE	LED1 & LED2	DM1: 0-10V DIMMING 1%	WIRE LABEL TABLE ON PAGE 5
		36"				
		48"				
		60"				
		89"				

DRIVER WIRES TO BUILDING SUPPLY

BLACK WIRE = LINE VOLTAGE
 WHITE WIRE = NEUTRAL
 GREEN WIRE = GROUND
 PURPLE = DIM +
 GREY = DIM -

FIG. 7 –BUILDING SUPPLY WIRE CONNECTION

UA1-C1NA-XX-INSTALLATION INSTRUCTIONS

6. Attach REFLECTOR, use a flat screwdriver to secure. as shown FIG. 8.

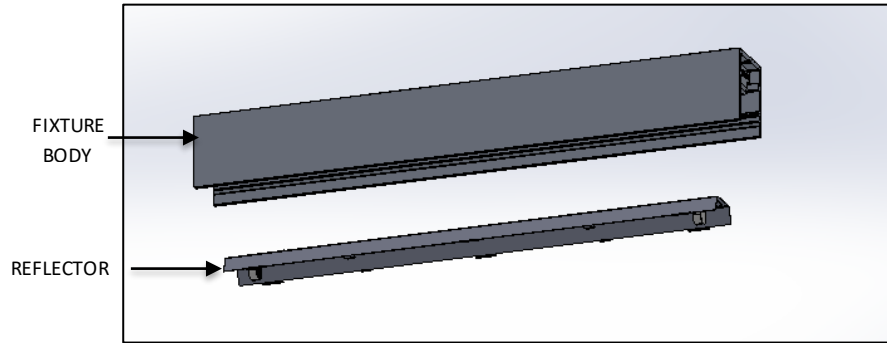


FIG. 8 – REFLECTOR INSTALLATION

7. Reattach DIFFUSER and END CAP as shown FIG. 9.

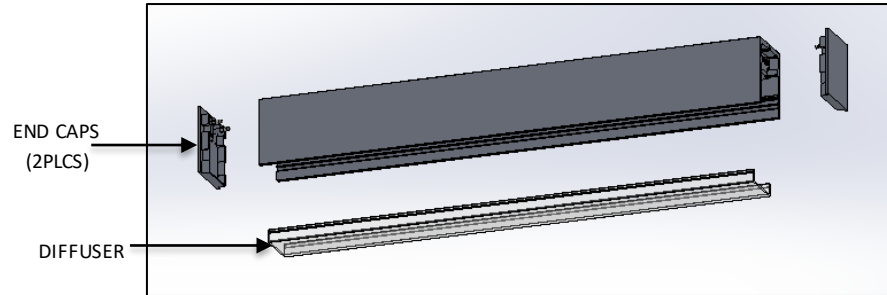


FIG. 9 – FIXTURE ASSEMBLY

8. Restore power to circuit the UNA series CEILING is connected to.
 - a. Test to see that the luminaire turns on after power is restored.
 - b. Contact OCL for any luminaire troubleshooting if a problem occurs.



FIG. 10– COMPLETED INSTALLATION OF UNA CEILING WITH C1NA HANGING SYSTEM (AS SHOWN)

OCL Architectural Lighting

Phone: 314.863.1895

Fax: 314.863.3278

www.ocl.com