

## INSTALLATION INSTRUCTIONS SCHOOL HOUSE SCONCE WITH S1SC HANGING SYSTEM

These Instructions cover the SCHOOL HOUSE luminaire with the following options:

SERIES	HANGING SYSTEM	SIZE	LIGHT SOURCE	CONTROL	WIRE DIAGRAM
1. SC1 (SCHOOL HOUSE)	S1SC: ARM SCONCE	07"  10"	STATIC WHITE	DM1: 0-10V DIMMING 1%	WIRE DIAGRAM ON PAGE 4

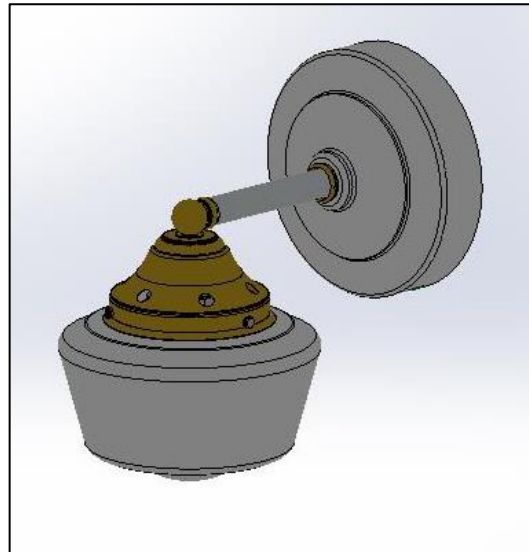


FIG. 1- SC1-S1SC-XX-WG-XXX-LED1\_XXK-UNV-DM1-XXX

### GENERAL NOTES:

1. PLEASE COMPLETELY READ THE INSTALL INSTRUCTIONS BEFORE STARTING INSTALLATION.
2. TURN OFF POWER TO LOCATION FIXTURE IS TO BE INSTALLED ON.
3. INSTALL IN ACCORDANCE WITH ALL LOCAL, STATE AND NATIONAL CODES CONSULT WITH A QUALIFIED ELECTRICIAN FOR PROPER INSTALLATION.
4. CAREFULLY UNPACK ALL CONTENTS; SOME COMPONENTS MAY HAVE BEEN SHIPPED IN SEPARATE BOXES MOST FIXTURES ARE SHIPPED PARTIALLY ASSEMBLED. SOME UNASSEMBLY MAY BE REQUIRED FOR INSTALLATION.
5. INSPECT EACH COMPONENT RECEIVED; IF ANY COMPONENT SHOWS SIGNS OF DAMAGE OR POTENTIAL FAILURE, STOP INSTALLATION IMMEDIATELY AND CONTACT FACTORY FOR HOW TO PROCEED.
6. DO NOT TOUCH THE GLASS SHADE ALL THE TIME.

**OCL Architectural Lighting**

Phone: 314.863.1895  
Fax: 314.863.3278  
www.ocl.com

## Table of Contents

<b>GENERAL INFORMATION:.....</b>	<b>3</b>
<b>SCHOOL HOUSE MOUNTING: .....</b>	<b>4</b>

## SC1-S1SC-XX-LED-INSTALLATION\_INSTRUCTIONS

### GENERAL INFORMATION:

You will receive the following with each SCHOOL HOUSE series SCONCE fixture:

1. BODY ASSEMBLY (Pre-assembled as shown in FIG. 2)
2. GLASS SHADE (shown in FIG. 3)
3. INSTALLATION INSTRUCTIONS (shown in FIG. 4) - Please completely read the install instructions before starting installation.

**WARNING: Examine all components for any damage before beginning installation.**

**WARNING: This fixture should be installed by a licensed electrician only.**

**WARNING: Be careful not to scratch or damage any finished parts.**

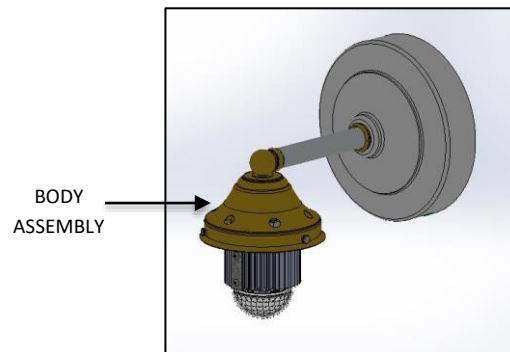


FIG.2 – BODY ASSEMBLY

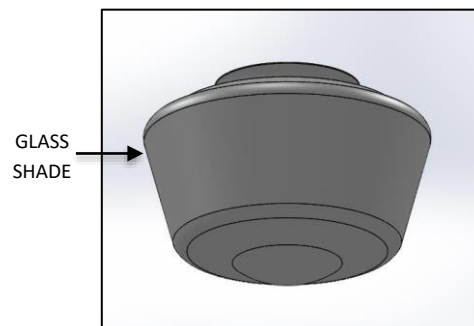


FIG.3 – GLASS SHADE

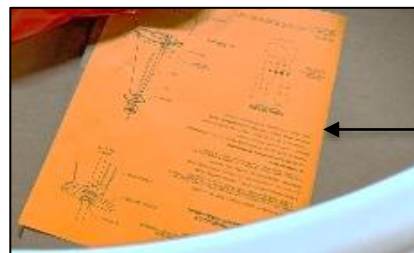


FIG.4 - INSTALLATION INSTRUCTIONS

**OCL Architectural Lighting**

Phone: 314.863.1895

Fax: 314.863.3278

[www.ocl.com](http://www.ocl.com)

## SC1-S1SC-XX-LED-INSTALLATION\_INSTRUCTIONS

### SCHOOL HOUSE MOUNTING:

1. Loosen SET SCREW (pre-assembled in SLIP RING) on CANOPY and slide over ARM. Be careful not to scratch the finish of the fixture as shown in fig 5. Loosen the back NUT, WASHER and remove the DRIVER PLATE ASSEMBLY from BODY ASSEMBLY as shown in fig 6.

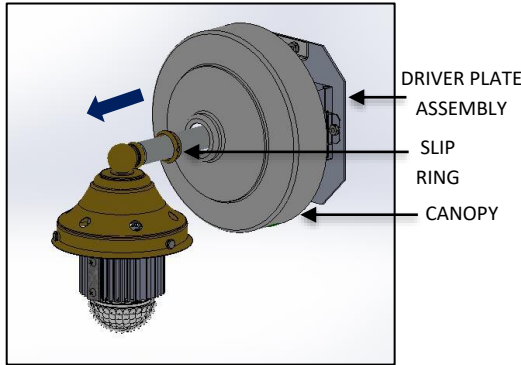


FIG. 5- MOUNTING PLATE DIS-ASSEMBLY

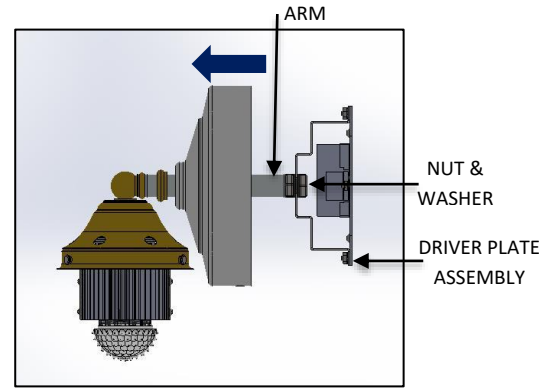


FIG. 6- MOUNTING PLATE DIS-ASSEMBLY

2. Make wire connections between the building supply and the DRIVER PLATE. Make all wire connections in accordance with the NATIONAL ELECTRICAL CODES and applicable LOCAL AND STATE CODES. See WIRE LABEL TABLE and WIRE DIAGRAM shown in FIG. 7 and FIG. 8

WIRE DIAGRAM TABLE						
SERIES	HANGING SYSTEM	BODY SIZE	BODYLIGHT SOURCE	LED OUTPUT	CONTROL	WIRE DIAGRAM
1.SC1 (SCHOOL HOUSE)	S1SC	07" 10"	STATIC WHITE	LED1	DM1: 0-10V DIMMING 1%	WIRE DIAGRAM ON PAGE 4

WIRE LABEL TABLE		
CONTROL	WIRE COLOR	LABEL
ALL	BLACK	LINE VOLTAGE
ALL	WHITE	NEUTRAL
ALL	PURPLE	DIM (+)
ALL	GREY	DIM (-)
ALL	GREEN	GROUND

FIG. 7- WIRE LABEL INFORMATION

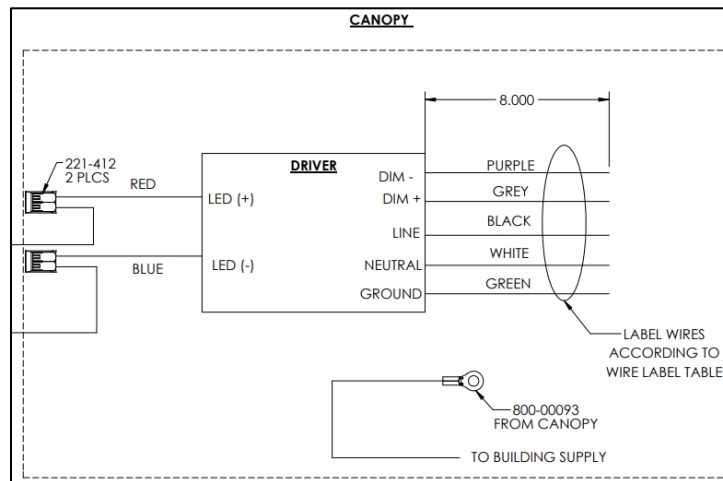


FIG. 8 - WIRE DIAGRAM

OCL Architectural Lighting

Phone: 314.863.1895

Fax: 314.863.3278

[www.ocl.com](http://www.ocl.com)

SC1-S1SC-XX-LED-INSTALLATION\_INSTRUCTIONS

3. Attach DRIVER PLATE ASSEMBLY with SCREWS (by others) to JUNCTION BOX (by other) as shown below in FIG. 9.

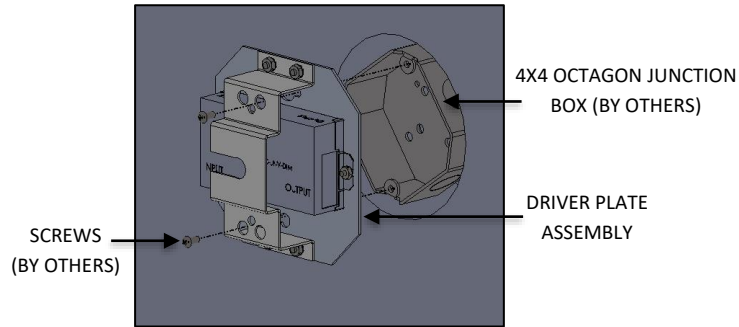


FIG. 9 – DRIVER PLATE INSTALLATION

4. Secure DRIVER PLATE ASSEMBLY & BODY ASSEMBLY with back NUT, WASHER which was removed in setp.1. Slide CANOPY to the wall and secure with SET SCREW (pre-assembled in SLIP RING). Be careful not to scratch the finish of the fixture and Install the GLASS SHADE using the THUMB SCREWS provided as shown below in FIG. 10.

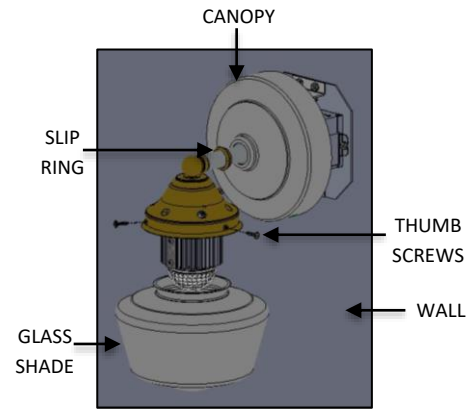


FIG. 10 – FIXTURE BODY INSTALLATION

5. Restore power to circuit the SCHOOL HOUSE series SCONCE is connected to.
  - a. Test to see that the luminaire turns on after power is restored.
  - b. Contact OCL for any luminaire troubleshooting if a problem occurs.



FIG. 11 - COMPLETED INSTALLATION OF SCHOOL HOUSE SCONCE WITH S1SC HANGING SYSTEM