

INSTALLATION INSTRUCTIONS SCHOOL HOUSE CEILING WITH C1NA HANGING SYSTEM

These Instructions cover the SCHOOL HOUSE luminaire with the following options:

SERIES	HANGING SYSTEM	SIZE	LIGHT SOURCE	CONTROL	WIRE DIAGRAM
1. SC1 (SCHOOL HOUSE)	C1NA: SURFACE CEILING MOUNT	14" 16" 18"	STATIC WHITE	DM1: 0-10V DIMMING 1%	WIRE DIAGRAM ON PAGE 4

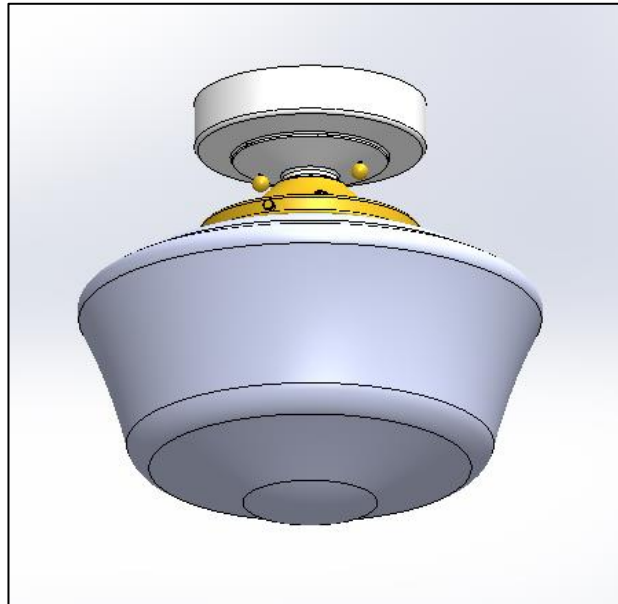


FIG. 1- SC1-C1NA-XXX-WG-XXX-LEDX_XXK-UNV-DM1-XXX

GENERAL NOTES:

1. PLEASE COMPLETELY READ THE INSTALL INSTRUCTIONS BEFORE STARTING INSTALLATION.
2. TURN OFF POWER TO LOCATION FIXTURE IS TO BE INSTALLED ON.
3. INSTALL IN ACCORDANCE WITH ALL LOCAL, STATE AND NATIONAL CODES CONSULT WITH A QUALIFIED ELECTRICIAN FOR PROPER INSTALLATION.
4. CAREFULLY UNPACK ALL CONTENTS; SOME COMPONENTS MAY HAVE BEEN SHIPPED IN SEPARATE BOXES MOST FIXTURES ARE SHIPPED PARTIALLY ASSEMBLED. SOME UNASSEMBLY MAY BE REQUIRED FOR INSTALLATION.
5. INSPECT EACH COMPONENT RECEIVED; IF ANY COMPONENT SHOWS SIGNS OF DAMAGE OR POTENTIAL FAILURE, STOP INSTALLATION IMMEDIATELY AND CONTACT FACTORY FOR HOW TO PROCEED.
6. DO NOT TOUCH THE GLASS SHADE ALL THE TIME.

Table of Contents

GENERAL INFORMATION:.....	3
SCHOOL HOUSE MOUNTING:	4

SC1-C1NA-LED-INSTALLATION_INSTRUCTIONS

GENERAL INFORMATION:

You will receive the following with each SCHOOL HOUSE series ceiling fixture:

1. BODY ASSEMBLY (Pre-assembled as shown in FIG. 2)
2. GLASS SHADE (shown in FIG. 3)
3. INSTALLATION INSTRUCTIONS (shown in FIG. 4) - Please completely read the install instructions before starting installation.

WARNING: Examine all components for any damage before beginning installation.

WARNING: This fixture should be installed by a licensed electrician only.

WARNING: Be careful not to scratch or damage any finished parts.

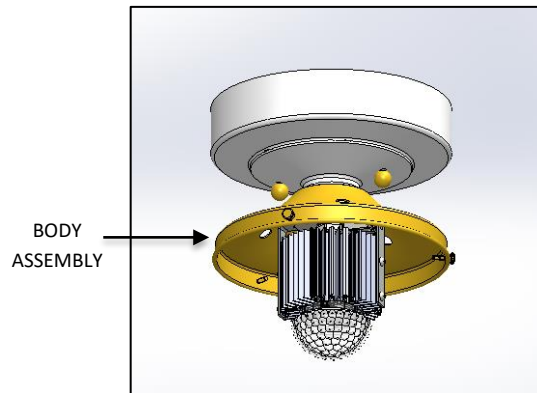


FIG.2 – BODY ASSEMBLY

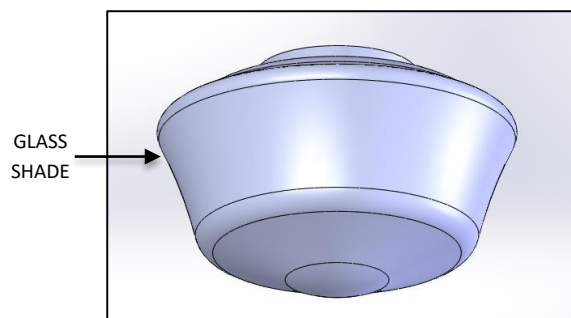


FIG.3 – GLASS SHADE

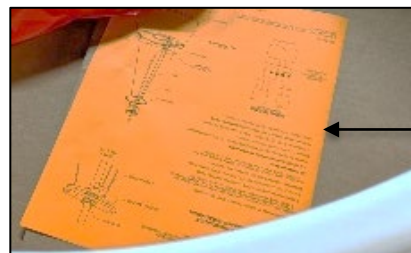


FIG.4 - INSTALLATION INSTRUCTIONS

OCL Architectural Lighting

Phone: 314.863.1895

Fax: 314.863.3278

www.ocl.com

SC1-C1NA-LED-INSTALLATION_INSTRUCTIONS

SCHOOL HOUSE MOUNTING:

1. Loosen BALL FINIALS on CANOPY and remove the DRIVER PLATE ASSEMBLY from the CANOPY. Be careful not to scratch the finish of the fixture as shown in fig 5.

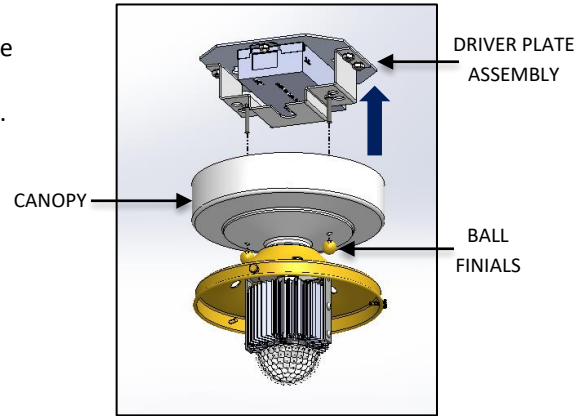


FIG. 5- MOUNTING PLATE DIS-ASSEMBLY

2. Make wire connections between the building supply and the driver plate. Make all wire connections in accordance with the NATIONAL ELECTRICAL CODES and applicable LOCAL AND STATE CODES. See WIRE LABEL TABLE and WIRE DIAGRAM shown in FIG. 6 and FIG. 7

WIRE DIAGRAM TABLE						
SERIES	HANGING SYSTEM	BODY SIZE	BODYLIGHT SOURCE	LED OUTPUT	CONTROL	WIRE DIAGRAM
1.SC1 (SCHOOL HOUSE)	C1NA	14"	STATIC WHITE	LED1 & LED2	DM1: 0-10V DIMMING 1%	WIRE DIAGRAM ON PAGE 4
		16"				
		18"				

WIRE LABEL TABLE		
CONTROL	WIRE COLOR	LABEL
ALL	BLACK	LINE VOLTAGE
ALL	WHITE	NEUTRAL
ALL	PURPLE	DIM (+)
ALL	GREY	DIM (-)
ALL	GREEN	GROUND

FIG. 6- WIRE LABEL INFORMATION

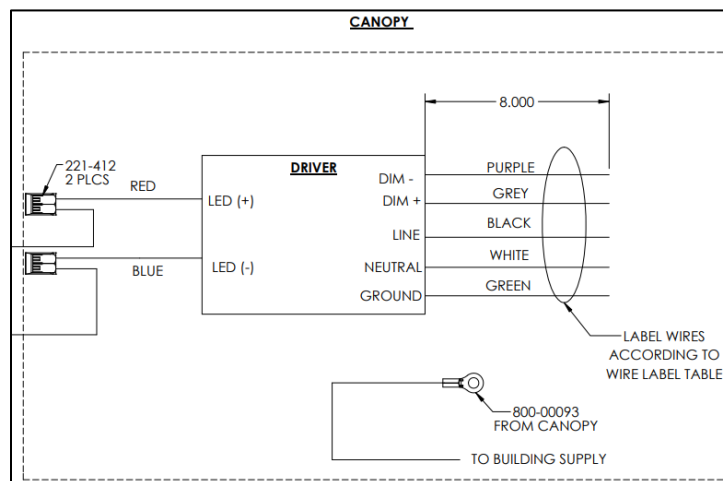


FIG. 7 - WIRE DIAGRAM

OCL Architectural Lighting

Phone: 314.863.1895

Fax: 314.863.3278

www.ocl.com

SC1-C1NA-LED-INSTALLATION_INSTRUCTIONS

3. Attach DRIVER PLATE ASSEMBLY to JUNCTION BOX (by other) with screws (by other). as shown below in FIG. 8.

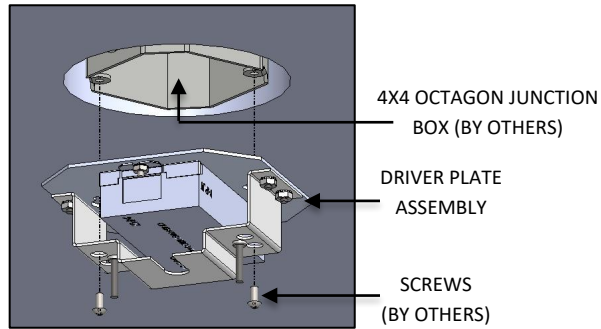


FIG. 8 – DRIVER PLATE INSTALLATION

4. Slide CANOPY over the LONG BOLTS and secure with the BALL FINIALS. Be careful not to scratch the finish of the fixture and install the GLASS SHADE using the THUMB SCREWS provided. as shown below in FIG. 9.

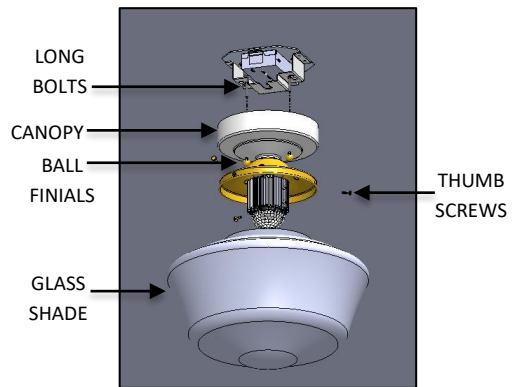


FIG. 9 – FIXTURE BODY INSTALLATION

5. Restore power to circuit the SCHOOL HOUSE series ceiling is connected to.
 - a. Test to see that the luminaire turns on after power is restored.
 - b. Contact OCL for any luminaire troubleshooting if a problem occurs.

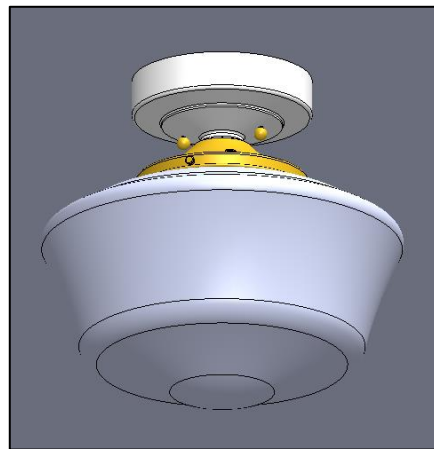


FIG. 10 - COMPLETED INSTALLATION OF SCHOOL HOUSE CEILING WITH C1NA HANGING SYSTEM

OCL Architectural Lighting

Phone: 314.863.1895

Fax: 314.863.3278

www.ocl.com