



Vero™

PENDANT


FEATURES

- AVAILABLE IN 80+ CRI AND 90+ CRI (R9>50)
- THE UNDERSTATED ELEGANCE OF THE VERO IS ACHIEVED WITH ITS SUPPLE, CURVED FORM AND CORD HUNG SUSPENSION
- OPTIONAL FROSTED BOTTOM DIFFUSER WITH A GREEN FLAME POLISHED EDGE
- THE INSIDE OF THE REFLECTOR IS MATTE ANODIZED FOR LAMP IMAGE REDUCTION
- SPUN FROM SOLID, NON-FERROUS 0.080" THICK ALUMINUM



CATALOG CODES

VO1	B	C	D	E	F	UNV	H	DM1	J
SERIES	HANGING SYSTEM	SIZE	DIFFUSER	FINISH	LIGHT SOURCE	VOLTAGE	OAH	CONTROL	OPTIONS

SPECIFY CATALOG CODE			A		B		C		D		E	
SERIES			HANGING SYSTEM		SIZE		DIFFUSER		FINISH			
 VO1 VERO			MOUNTING TYPE P1CB PENDANT WITH SURFACE MOUNT CANOPY, SINGLE POWER CORD; MOUNTS TO 4X4 OCTAGON J-BOX (BY OTHERS)		CORD COLOR B BLACK POWER CORD W WHITE POWER CORD		14 BL ACRYLIC BOTTOM LENS WITH GREEN TINTED EDGE		POWDER COAT FINISHES BKP BLACK BMP BRASS METALLIC BNP BRONZE BTP BLACK TEXTURED GRP GRAPHITE GLP GOLDTASTIC PREMIUM METAL FINISHES BAL BRUSHED ALUMINUM		MWP MATTE WHITE SGP STEEL GRAY SMP SILVER METALLIC SWP SKY WHITE WTP WHITE TEXTURED	
							18 ND NO DIFFUSER					
LIGHT SOURCE			VOLTAGE		OAH		CONTROL		OPTIONS			
LED OUTPUT LED1 LED2		COLOR TEMP (80+ CRI) 27K 30K 35K 40K		COLOR TEMP (90+ CRI) 927K 930K 935K 940K		UNV 120-277		48 100 144		DM1 0-10V DIMMING 1%		ULD DAMP LABEL MOD MODIFIED LUMINAIRE (CONTACT LOCAL REP)
SAMPLE CODE: VO1-P1CA-14-ND-BAL-LED1/27K-UNV-36-DM1												

UP TO **78** LM/W

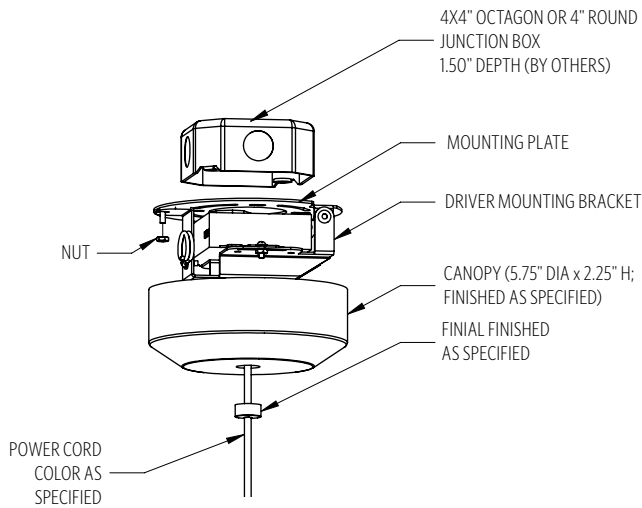
LUMENS AND WATTAGE CHART		SIZE	
		14"	18"
LED1	LUMENS DELIVERED	1170	1170
	SYSTEM WATTAGE	15	15
LED2	LUMENS DELIVERED	1950	1950
	SYSTEM WATTAGE	25	25

This chart was created for a 35K color temp. Multiply by 0.95 for 27K color temp, 0.97 for 30K color temp, and 1.03 for 40K color temp. Wattage and lumen data approx. pending LM-79 testing. Values shown for 80+ CRI. For 90+ CRI lumens use 0.85 multiplier.

MODS, NOTES, & COMMENTS

HANGING SYSTEM

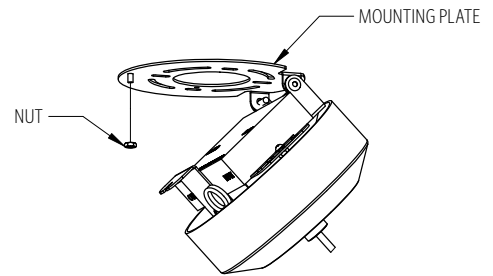
P1CB PENDANT WITH SURFACE MOUNT CANOPY, SINGLE POWER CORD;
MOUNTS TO 4X4 OCTAGON J-BOX (BY OTHERS)



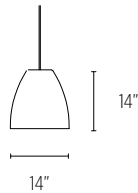
MOUNTING INFORMATION CHART

LUMINAIRE SIZE	LUMINAIRE WEIGHT	MIN/MAX OAH
14"	10 LBS	24"/144"
18"	15 LBS	26"/144"

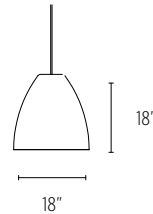
P1CB ships with one of three OAH's (48", 100" or 144") and is field adjustable to the desired height.



SIZES



FIXTURE WEIGHT **10 LBS**



FIXTURE WEIGHT **15 LBS**

DIFFUSER



BL ACRYLIC BOTTOM LENS WITH GREEN TINTED EDGE



NA NO DIFFUSER

FINISH

METALLIC POWDER COAT FINISHES:



SMP
SILVER



GRP
GRAPHITE



SGP
STEEL GRAY



GLP
GOLDTASTIC



BMP
BRASS



BNP
BRONZE

PREMIUM METAL FINISHES:



BAL
BRUSHED ALUMINUM

SOLID POWDER COAT FINISHES:



SWP
SKY WHITE



MWP
MATTE WHITE



BKP
BLACK

TEXTURED POWDER COAT FINISHES:



BTP
BLACK TEXTURED



WTP
WHITE TEXTURED

RAL®, Pantone® or custom finishes are also available.

These colors are for reference only. Please be aware that colors may vary per monitor. Contact your local rep for finish samples or with any questions.

LIGHT SOURCE

LUMENS AND WATTAGE CHART		SIZE	
		14"	18"
LED1	LUMENS DELIVERED	1170	1170
	SYSTEM WATTAGE	15	15
LED2	LUMENS DELIVERED	1950	1950
	SYSTEM WATTAGE	25	25

This chart was created for a 35K color temp. Multiply by 0.95 for 27K color temp, 0.97 for 30K color temp, and 1.03 for 40k color temp. Wattage and lumen data approx. pending LM-79 testing. Values shown for 80+ CRI. For 90+ CRI lumens use 0.85 multiplier.

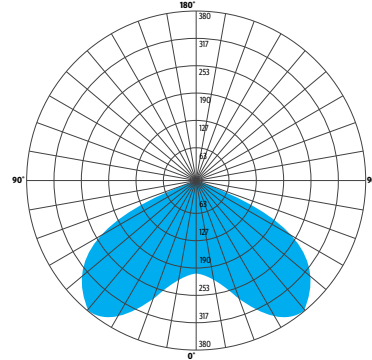
STANDARD COLOR TEMPERATURE OPTIONS	CRI (RA)	
2700K	80+	90+
3000K	80+	90+
3500K	80+	90+
4000K	80+	90+

ZONE	LUMENS	% OF LUMINAIRE
0-30	232	20%
0-60	943	81%
0-90	1164	100%
90-180	0	0%
0-180	1164	100%

PHOTOMETRY:

FIXTURE: VO1-PICA-14 LED1
 COLOR TEMP #: 3500K
 OUTPUT: 1170
 TEST REPORT: TEST NO. 16269

For all available IES files, please visit our website at ocl.com.



VO1

CONTROL

DM1 0-10V DIMMING DOWN TO 1%

- 0-10V DIMMING
- 1% MINIMUM DIMMING LEVEL
- ELECTRONIC DRIVER
- POWER FACTOR >0.9
- THD <20%
- MIN AMBIENT OPERATING TEMPERATURE = -31°F
- FIELD REPLACEABLE

OPTIONS

ULD DAMP LABEL LUMINAIRE

- MAY BE USED IN AN OUTDOOR AREA THAT IS PROTECTED FROM DIRECT CONTACT WITH WIND, RAIN, SNOW OR EXCESSIVE MOISTURE

MOD MODIFIED LUMINAIRE

- LUMINAIRE IS MODIFIED FROM STANDARD OPTIONS; CONTACT LOCAL REP FOR MORE INFORMATION

SPECIFICATIONS

CONSTRUCTION

- SPUN FROM SOLID, NON-FERROUS 0.080" THICK ALUMINUM
- HANGING SYSTEMS USE STEEL OR ALUMINUM CANOPIES
- HARDWARE IS ZINC PLATED OR STAINLESS STEEL

MOUNTING

- PICB MOUNTS TO 4X4" OCTAGON OR 4" ROUND J-BOX (BY OTHER)

ELECTRICAL

- DIMMING ELECTRONIC DRIVER(S), COMES STANDARD WITH 0-10V DOWN TO 1%
- 0-10V DOWN TO 0.1% AND LUTRON ECOSYSTEM (LDE1) 1% ALSO AVAILABLE AS MODIFICATION
- BRIDGELUX COB
- LUMINAIRE CONNECTS TO BUILDING SUPPLY (120V-277V 50/60HZ) UNLESS DRIVERS ARE REMOTE

LISTING

- ETL LISTED TO UL 1598 FOR DRY LOCATIONS; DAMP LOCATION LISTED IS OPTION

WARRANTY

- 5 YEAR; ALL ELECTRICAL COMPONENTS RETAIN THE MANUFACTURER'S WARRANTY

The drawings and specifications and ideas, designs and arrangements represented on these drawings are and shall remain the property of The Original Cast Lighting (OCL Architectural Lighting) and no part thereof shall be copied, disclosed, to others or used in conjunction with any work or project other than the specified project for which they have been prepared and developed, without written consent of OCL. Visual contact with these plans or specifications shall constitute conclusive evidence of acceptance of these restrictions. All specifications and information subject to change without notice.