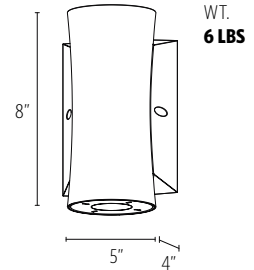




Vega™

SCENCE / OUTDOOR

- EXCELLENT THERMAL MANAGEMENT IS ACHIEVED THROUGH A DIE-CAST ALUMINUM FIXTURE BODY
- INJECTION MOLDED DIFFUSER SEAMLESSLY THREADS INTO FIXTURE BODY; ACRYLIC IS UV STABLE, F1 RATED AND UL-94 HB FLAME RATED
- VARYING BEAM SPREAD OPTIONS ARE AVAILABLE: NARROW FLOOD [24 DEGREE] OR WIDE FLOOD [50 DEGREE]
- FIELD REPLACEMENT FOR LED ARRAY AND DRIVER
- IP66 PROTECTION RATING AND ETL LISTED FOR WET LOCATION (**010A** ONLY)
- 3 STEP COLOR BINNING




This product meets the material restrictions of Article 4 of the RoHS Directive (2011/65/EU), including Commission Delegated Directive 2015/863



CATALOG CODES

A	B	08	D	E	f	UNV	DM1	J
SERIES	HANGING SYSTEM	SIZE	REFLECTOR	FINISH	LIGHT SOURCE	VOLTAGE	CONTROL	OPTIONS

SPECIFY CATALOG CODE					
A	B		C	D	E
SERIES	HANGING SYSTEM		SIZE	REFLECTOR	FINISH
 VA1 UP OR DOWN ILLUMINATION	SISA INDOOR ADA COMPLIANT SCENCE 010A OUTDOOR ADA COMPLIANT SCENCE		08 NF NARROW FLOOD [24 DEGREE] WF WIDE FLOOD [50 DEGREE]	NOTE: CLEAR ACRYLIC DIFFUSER IS STANDARD	POWDER COAT FINISHES BKP BLACK BMP BRASS METALLIC BNP BRONZE BTP BLACK TEXTURED GRP GRAPHITE GLP GOLDTASTIC MWP MATTE WHITE SGP STEEL GRAY SMP SILVER METALLIC SWP SKY WHITE WTP WHITE TEXTURED

F LIGHT SOURCE			G VOLTAGE	H CONTROL	I OPTIONS
VA1			UNV 120-277	DM1 0-10V DIMMING 1% NOTE: FIXTURE IS PROVIDED WITH 0-10V DIMMING 1%	ULD DAMP LABEL (SISA ONLY) MOD MODIFIED LUMINAIRE (CONTACT LOCAL REP)
LED OUTPUT	COLOR TEMP (80+ CRI)	COLOR TEMP (90+ CRI)			
LED1	27K	927K			
LED2	30K	930K			
LED3	35K	935K			
	40K	940K			
VA2					
LED1	27K	927K			
LED2	30K	930K			
	35K	935K			
	40K	940K			

LUMENS AND WATTAGE CHART			
		VA1	VA2
LED1	LUMENS DELIVERED	900	1800
	SYSTEM WATTAGE	10	20
LED2	LUMENS DELIVERED	1350	2700
	SYSTEM WATTAGE	15	30
LED3	LUMENS DELIVERED	2000	-
	SYSTEM WATTAGE	25	-

SAMPLE CODE: VA1-SISA-08-NF-WTP-LED1/30K-UNV-DM1

UP TO **90** LM/W

MODS, NOTES, & COMMENTS

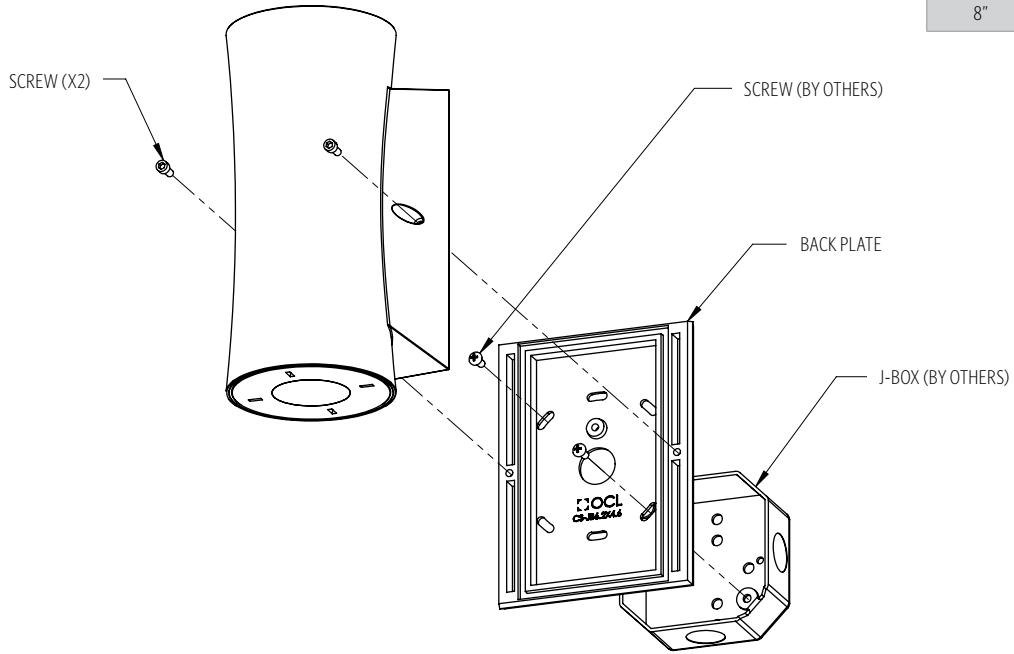
This chart was created for a 35K color temp. Multiply by 0.95 for 27k color temp, 0.97 for 30k color temp, and 1.03 for 40k color temp. Values shown for 80+ CRI. For 90+ CRI lumens use 0.85 multiplier.

HANGING SYSTEM

S1SA INDOOR ADA COMPLIANT SCONCE

MOUNTING INFORMATION CHART

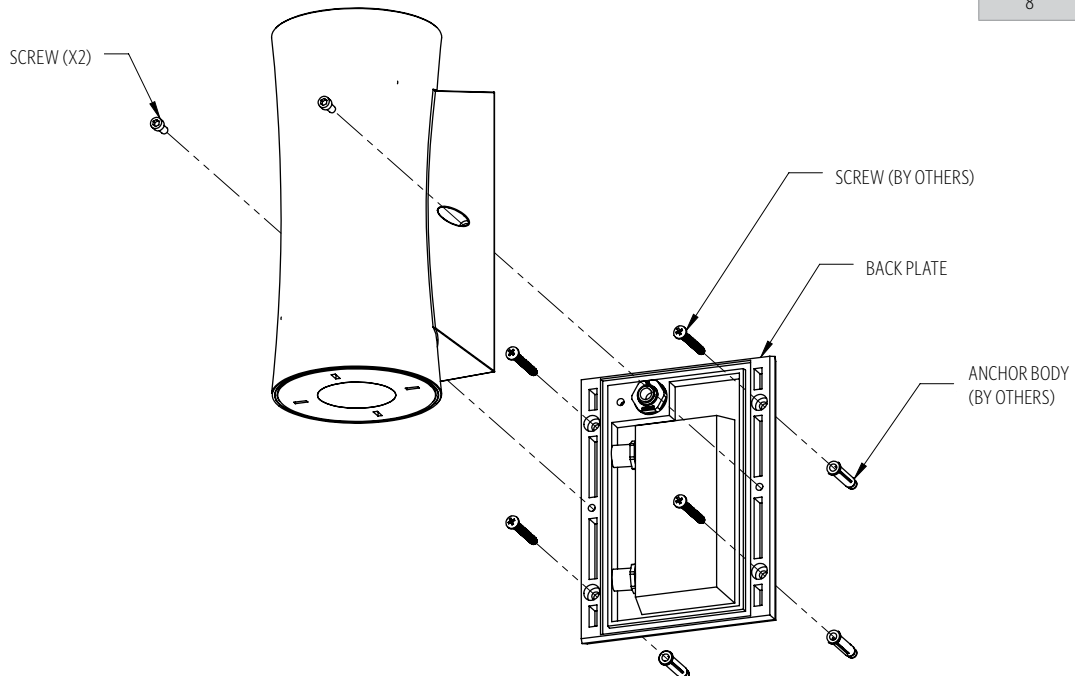
LUMINAIRE HEIGHT	LUMINAIRE WEIGHT	MOUNTING POINTS
8"	6 LBS	1



010A OUTDOOR ADA COMPLIANT SCONCE

MOUNTING INFORMATION CHART

LUMINAIRE HEIGHT	LUMINAIRE WEIGHT	MOUNTING POINTS
8"	6 LBS	1



FINISH

METALLIC POWDER COAT FINISHES:



SOLID POWDER COAT FINISHES:



TEXTURED POWDER COAT FINISHES:



RAL[®], Pantone[®], or custom finishes are also available.

These colors are for reference only. Please be aware that colors may vary per monitor. Contact your local rep for finish samples or with any questions.

LIGHT SOURCE

LUMENS AND WATTAGE CHART		VA1	VA2
LED1	LUMENS DELIVERED	900	1800
	SYSTEM WATTAGE	10	20
LED2	LUMENS DELIVERED	1350	2700
	SYSTEM WATTAGE	15	30
LED3	LUMENS DELIVERED	2000	-
	SYSTEM WATTAGE	25	-

STANDARD COLOR TEMPERATURE OPTIONS	CRI (RA)	
2700K	80+	90+
3000K	80+	90+
3500K	80+	90+
4000K	80+	90+

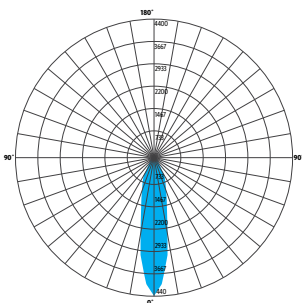
PHOTOMETRY:

FIXTURE: VAX-0101A-08-NF-BTP
 COLOR TEMP #: 3500K
 EFFICACY: 80 LM/W
 TEST REPORT: TEST NO. 17814.0

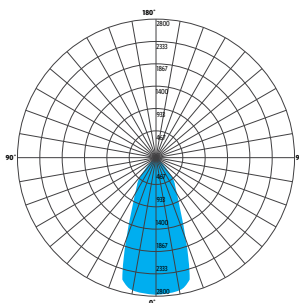
For all available IES files, please visit our website at ocl.com.

This chart was created for a 35K color temp. Multiply by 0.95 for 27k color temp, 0.97 for 30k color temp, and 1.03 for 40k color temp. Values shown for 80+ CRI. For 90+ CRI lumens use 0.85 multiplier.

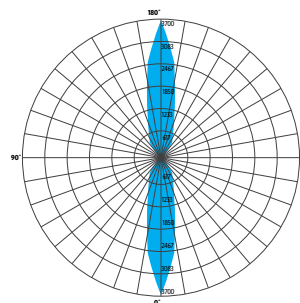
ZONE	VA1 NARROW FLOOD		VA1 WIDE FLOOD		VA2 NARROW FLOOD		VA2 WIDE FLOOD	
	LUMENS	% OF LUMINAIRE	LUMENS	% OF LUMINAIRE	LUMENS	% OF LUMINAIRE	LUMENS	% OF LUMINAIRE
0-30	1275	70.5%	1440	74%	1000	30%	1066	38%
0-60	1795	99.5%	1955	99.5%	1400	53%	1460	53%
0-90	1810	100%	1965	100%	1415	54%	1480	53%
90-180	0	0%	0-	0%	1220	46%	1300	47%
0-180	1810	100%	1965	100%	2630	100%	2780	100%



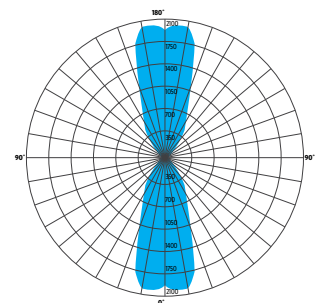
VA1 NARROW FLOOD



VA1 WIDE FLOOD



VA2 NARROW FLOOD UP & DOWN



VA2 WIDE FLOOD UP & DOWN

CONTROL

DM1 0-10V DIMMING DOWN TO 1%

- 0-10V DIMMING
- 1% MINIMUM DIMMING LEVEL
- ELECTRONIC DRIVER
- POWER FACTOR >0.9
- THD <20%
- MIN AMBIENT OPERATING TEMPERATURE = -31°F
- FIELD REPLACEABLE

OPTIONS

ULD DAMP LABEL LUMINAIRE

- MAY BE USED IN AN OUTDOOR AREA THAT IS PROTECTED FROM DIRECT CONTACT WITH WIND, RAIN, SNOW OR EXCESSIVE MOISTURE

MOD MODIFIED LUMINAIRE

- LUMINAIRE IS MODIFIED FROM STANDARD OPTIONS; CONTACT LOCAL REP FOR MORE INFORMATION

SPECIFICATIONS

CONSTRUCTION

- FIXTURE IS CAST AND MACHINED ALUMINUM
- HARDWARE IS ZINC PLATED OR STAINLESS STEEL

LENSING

- CLEAR ACRYLIC LENS STANDARD

ELECTRICAL

- DIMMING ELECTRONIC DRIVER(S), COMES STANDARD WITH 0-10V DOWN TO 10%
- 0-10V DOWN TO 0.1% AND LUTRON ECOSYSTEM (LDE1) 1% ALSO AVAILABLE AS MODIFICATION
- BRIDGELUX COB
- LUMINAIRE CONNECTS TO BUILDING SUPPLY (120V-277V 50/60HZ) UNLESS DRIVERS ARE REMOTE

LISTING

- ETL LISTED TO UL 1598 FOR DRY LOCATIONS; DAMP LOCATION LISTED IS OPTION

WARRANTY

- 5 YEAR; ALL ELECTRICAL COMPONENTS RETAIN THE MANUFACTURER'S WARRANTY

The drawings and specifications and ideas, designs and arrangements represented on these drawings are and shall remain the property of The Original Cast Lighting (OCL Architectural Lighting) and no part thereof shall be copied, disclosed, to others or used in conjunction with any work or project other than the specified project for which they have been prepared and developed, without written consent of OCL. Visual contact with these plans or specifications shall constitute conclusive evidence of acceptance of these restrictions. All specifications and information subject to change without notice.