



# Una™

PENDANT


**FEATURES**

- SIMPLE, LINEAR 3"W X 3.5"H PROFILE CAN BE CONNECTED TO CREATE LONG, CONTINUOUS RUNS
- FIELD REPLACEMENT OF LED ARRAYS AND DRIVERS IS SIMPLE AND REQUIRES MINIMAL EFFORT
- QUALITY CONSTRUCTION INCLUDES HEAVY GAUGE SHEET METAL, EXTRUDED ALUMINUM, DIE-CAST ALUMINUM, AND EXTRUDED ACRYLIC
- EXTRUDED DIFFUSER IS FROSTED WHITE ACRYLIC, UV STABLE AND UL-94 HB FLAME RATED
- 3 STEP COLOR BINNING



**CATALOG CODES**

<b>UA1</b>	<b>P1EB</b>	<b>C</b>	<b>MW</b>	<b>E</b>	<b>I</b>	<b>UNV</b>	<b>H</b>	<b>DM1</b>	<b>J</b>
SERIES	HANGING SYSTEM	SIZE	DIFFUSER	FINISH	LIGHT SOURCE	VOLTAGE	OAH	CONTROL	OPTIONS

SPECIFY CATALOG CODE					
A	B	C	D	E	
SERIES	HANGING SYSTEM	SIZE	DIFFUSER	STANDARD FINISHES	PREMIUM FINISHES
 <b>UA1</b> UNA	<b>P1EB</b> PENDANT WITH AN AIRCRAFT CABLE ON EACH END OF THE FIXTURE AND A POWER CORD ON ONE END	<b>24</b>	<b>MW</b> MATTE WHITE	<b>POWDER COAT FINISHES</b> <b>BKP</b> BLACK <b>BMP</b> BRASS METALLIC <b>BNP</b> BRONZE <b>BTP</b> BLACK TEXTURED <b>GRP</b> GRAPHITE <b>GLP</b> GOLDTASTIC <b>MWP</b> MATTE WHITE <b>SGP</b> STEEL GRAY <b>SMP</b> SILVER METALLIC <b>SWP</b> SKY WHITE <b>WTP</b> WHITE TEXTURED	<b>METAL FINISHES</b> <b>BAL</b> BRUSHED ALUMINUM  <b>EVERWOODS POWDER COAT FINISHES (BODY ONLY)</b> <b>WPDP</b> WHITE PINE <b>PNDP</b> PINE <b>CRDP</b> CHERRY <b>TKDP</b> TEAK <b>WLDP</b> WALNUT <b>DLDP</b> DARK WALNUT <b>LWDP</b> LIGHT BARNWOOD <b>DWDP</b> DARK BARNWOOD
		<b>36</b>			
		<b>48</b>			
		<b>60</b>			
		<b>89</b>			
		<b>XX</b>			

F		G		H	I	J	
LIGHT SOURCE		VOLTAGE		OAH*	CONTROL	OPTIONS	
<b>LED OUTPUT</b>	<b>COLOR TEMP</b>	<b>COLOR TEMP</b>	<b>UNV</b> 120-277	<b>48</b> <b>100</b> <b>144</b>	<b>DM1</b> 0-10V DIMMING 1%	<b>ULD</b> DAMP LABEL <b>BIOS</b> BIOS SKYBLUE™ OR BIOS SKYBLUE™ DYNAMIC LIGHT ENGINE*** <b>MOD</b> MODIFIED LUMINAIRE (CONTACT LOCAL REP)	
<b>LED1</b>	(80+ CRI)	(90+ CRI)					
<b>LED2</b>	<b>27K</b>	<b>927K</b>					
	<b>30K</b>	<b>930K</b>					
	<b>35K</b>	<b>935K</b>					
	<b>40K</b>	<b>940K</b>					

**SAMPLE CODE: UA1-P1EB-24-MW-WTP-LED1/27K-UNV-48-DM1**

**P1EB** canopy is Matte White Paint (**MWP**) standard unless otherwise specified.  
 \*Fixture will ship with one of three standard OAH's (48", 100" or 144") field adjustable to the desired height.  
 \*\*Contact factory for **BIOS SkyBlue®** or **BIOS SkyBlue® Dynamic** light engine and control options. Visit [ocl.com/BIOS](http://ocl.com/BIOS) for more information.

LUMENS AND WATTAGE CHART						
		24"	36"	48"	60"	89"
<b>LED1</b>	LUMENS DELIVERED	1120	1680	2240	2800	4080
	SYSTEM WATTAGE	14	21	28	35	51
<b>LED2</b>	LUMENS DELIVERED	1680	2480	3360	4160	6160
	SYSTEM WATTAGE	21	31	42	52	77

UP TO **80** LM/W

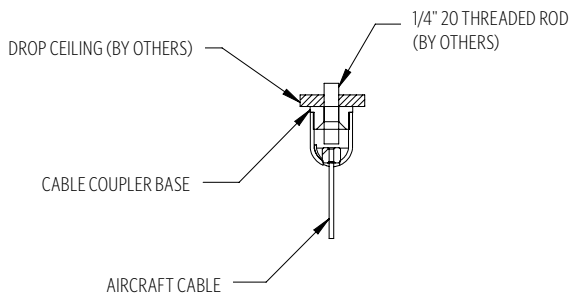
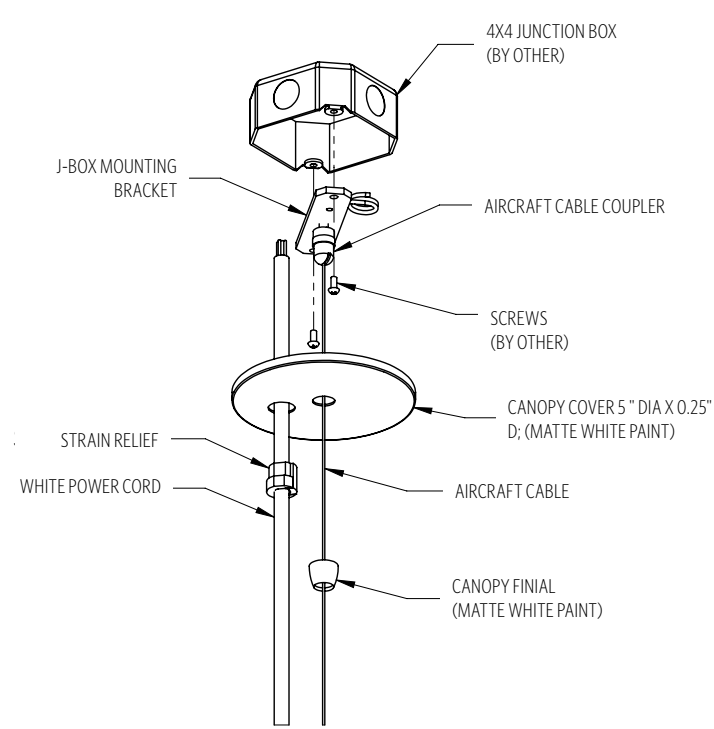
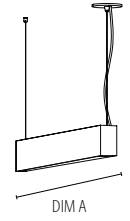
**MODS, NOTES, & COMMENTS**

This chart was created for a 35K color temp. Multiply by 0.95 for 27k color temp, 0.97 for 30k color temp, and 1.03 for 40k color temp.  
 Values shown for 80+ CRI. For 90+ CRI lumens use 0.85 multiplier.

# HANGING SYSTEM



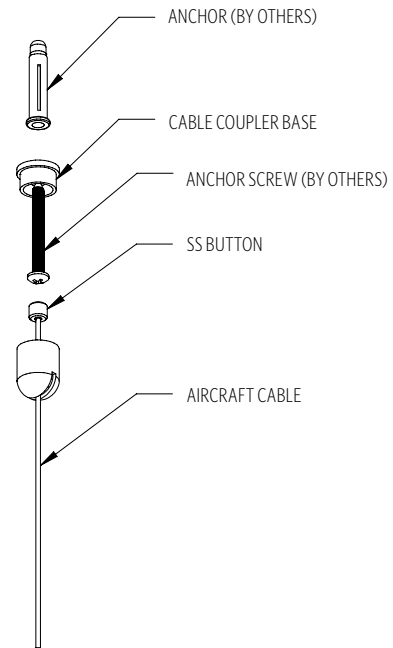
**PIEB** PENDANT WITH AN AIRCRAFT CABLE ON EACH END OF THE FIXTURE AND A POWER CORD ON ONE END



**DROP CEILING**

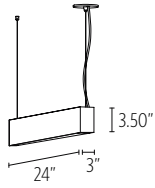
MOUNTING INFORMATION CHART				
LUMINAIRE SIZE	LUMINAIRE WEIGHT	MOUNTING DISTANCE DIM A	MOUNTING POINTS	MIN/MAX OAH
24"	7 LBS	22.00"	2	7"/144"
36"	10.5 LBS	34.00"	2	7"/144"
48"	14 LBS	46.00"	2	7"/144"
60"	17.5 LBS	58.00"	2	7"/144"
89"	26.5 LBS	87.00"	2	7"/144"

\* **PIEB** ships with one of three standard OAH's (48", 100" or 144") field adjustable to the desired height.

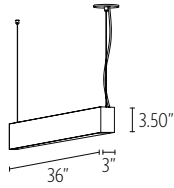


**HARD CEILING**

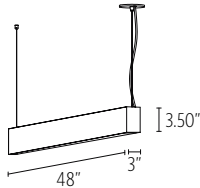
**SIZES**



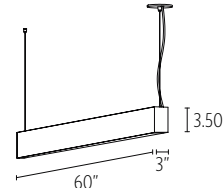
**WT. 7 LBS**



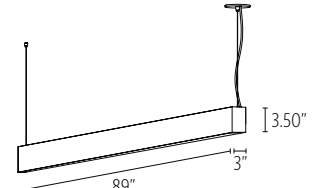
**WT. 10.5 LBS**



**WT. 14 LBS**



**WT. 17.5 LBS**



**WT. 26.5 LBS**

**DIFFUSER**



**MW MATTE WHITE**

**FINISH**

**METALLIC POWDER COAT FINISHES:**



**SMP SILVER**



**GRP GRAPHITE**



**SGP STEEL GRAY**



**GLP GOLD**



**BMP BRASS**



**BNP BRONZE**



**BAL BRUSHED ALUMINUM**

**PREMIUM METAL FINISHES:**

**SOLID POWDER COAT FINISHES:**



**SWP SKY WHITE**



**MWP MATTE WHITE**



**BKP BLACK**

**TEXTURED POWDER COAT FINISHES:**



**BTP BLACK TEXTURED**



**WTP WHITE TEXTURED**

**RAL, Pantone® or custom finishes are also available.**

These colors are for reference only. Please be aware that colors may vary per monitor. Contact your local rep for finish samples or with any questions.

**EVERWOODS POWDER COAT COLLECTION:**



**WPDP WHITE PINE**



**PNDP PINE**



**CRDP CHERRY**



**TKDP TEAK**



**WLDP WALNUT**



**DLDP DARK WALNUT**



**LWDP LIGHT BARNWOOD**



**DWDP DARK BARNWOOD**

**LIGHT SOURCE**

**LUMENS AND WATTAGE CHART**

		24"	36"	48"	60"	89"
<b>LED1</b>	LUMENS DELIVERED	1120	1680	2240	2800	4080
	SYSTEM WATTAGE	14	21	28	35	51
<b>LED2</b>	LUMENS DELIVERED	1680	2480	3360	4160	6160
	SYSTEM WATTAGE	21	31	42	52	77

This chart was created for a 35K color temp. Multiply by 0.95 for 27k color temp, 0.97 for 30k color temp, and 1.03 for 40k color temp.

Values shown for 80+ CRI. For 90+ CRI lumens use 0.85 multiplier.

STANDARD COLOR TEMPERATURE OPTIONS	CRI (RA)	
	2700K	80+
3000K	80+	90+
3500K	80+	90+
4000K	80+	90+

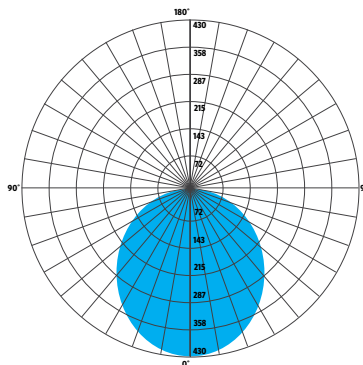
For 80+ CRI - 80 RA, R9 > 0 (10-15 TYP.); For 90+ CRI - 90 RA, R9 > 50

ZONE	LUMENS	% OF LUMINAIRE
0-30	248	14%
0-60	666	38%
0-90	827	47%
90-180	933	53%
0-180	1760	100%

**PHOTOMETRY:**

FIXTURE: UA1-P1XX-24-LED1  
 COLOR TEMP #: 3500K  
 OUTPUT: 1120  
 EFFICACY: 79 LM/W  
 TEST REPORT: TEST NO. 17603.0

For all available IES files, please visit our website at ocl.com.



## CONTROL

### DM1 0-10V DIMMING 1%

- 0-10V DIMMING PROTOCOL
- 1% MINIMUM DIM LEVEL
- ELECTRONIC DRIVER
- POWER FACTOR >0.9
- THD <20%
- MINIMUM AMBIENT OPERATING TEMPERATURE -31°F
- FIELD REPLACEABLE

## OPTIONS

### ULD DAMP LABEL LUMINAIRE

- MAY BE USED IN AN OUTDOOR AREA THAT IS PROTECTED FROM DIRECT CONTACT WITH WIND, RAIN, SNOW OR EXCESSIVE MOISTURE

### BIOS BIOS SKYBLUE™ DYNAMIC

- LIGHT ENGINE IS DIMMABLE AND FEATURES A SIMPLE APPROACH TO CIRCADIAN LIGHTING CONTROLS.
- WHEN PAIRED WITH THE BIOS BIO-DIMMING MODULE, IT OPERATES USING ANY SINGLE CHANNEL CONSTANT CURRENT (CC) LED DRIVER AND CAN BE USED WITH ANY STANDARD DIMMING INTERFACE/PROTOCOL (0-10V, ELV, DMX, WIRELESS) AND COULD WORK WITH EXISTING TWO-CHANNEL CONTROL SYSTEMS AS WELL.
- VISIT [OCL.COM/BIOS](http://OCL.COM/BIOS) FOR MORE INFORMATION

### MOD MODIFIED LUMINAIRE

- LUMINAIRE IS MODIFIED FROM STANDARD OPTIONS; CONTACT LOCAL REP FOR MORE INFORMATION

## SPECIFICATIONS

### CONSTRUCTION

- HOUSING IS EXTRUDED AND WELDED ALUMINUM
- END CAPS ARE CAST ALUMINUM
- EXTRUDED DIFFUSER IS FROSTED WHITE ACRYLIC
- CANOPY IS FORMED ALUMINUM
- HARDWARE IS ZINC PLATED OR STAINLESS STEEL

### MOUNTING

- **PIEB** MOUNTS TO 4X4" OCTAGON OR 4" ROUND J-BOX (BY OTHERS)

### ELECTRICAL

- DIMMING ELECTRONIC DRIVER(S), COMES STANDARD WITH 0-10V DOWN TO 1% [STATIC WHITE]
- OCL PROPRIETARY LED ARRAYS USE NICHIA 757 DIODES
- **FOR INTEGRAL DRIVERS:** LUMINAIRE CONNECTS TO BUILDING SUPPLY (120V-277V 50/60HZ)
- **FOR REMOTE DRIVERS:** LUMINAIRE WIRE LEADS ARE LOW-VOLTAGE. THE WIRES SHOULD BE CONNECTED TO OCL PROVIDED REMOTE DRIVER ENCLOSURE ONLY!

### LISTING

- ETL LISTED TO UL1598 FOR INDOOR, DRY LOCATION (DAMP LOCATION OPTIONAL)

### WARRANTY

- 5 YEAR; ALL ELECTRICAL COMPONENTS RETAIN THE MANUFACTURER'S WARRANTY

### BUILD AMERICA, BUY AMERICA (BABA)

- THIS PRODUCT MEETS THE GUIDELINES FOR THE BUILD AMERICA, BUY AMERICA ACT. **SOME EXCLUSIONS APPLY.** FOR MORE INFORMATION AND A FULL LIST OF ELIGIBLE SKUS, VISIT [OCL.COM/BABA](http://OCL.COM/BABA)

### SUSTAINABILITY

- THIS PRODUCT MEETS THE MATERIAL RESTRICTIONS OF ARTICLE 4 OF THE **ROHS** DIRECTIVE (2011/65/EU), INCLUDING COMMISSION DELEGATED DIRECTIVE 2015/863
- **BIOS** LIGHTING CONTRIBUTES TOWARD THE CIRCADIAN LIGHTING DESIGN FEATURE 54 UNDER THE **WELL BUILDING STANDARD™ V1** AND FEATURE L03 UNDER THE **WELL BUILDING STANDARD V2**

## COMMON MODIFICATIONS

### WE'RE BUILT FOR OUT-OF-THE-BOX THINKERS.

Nearly 50% of OCL fixtures we manufacture have some type of modification. Here is a list of common modifications we frequently produce. **Please contact the factory for modifications specific to your fixture or project.**

Need some help? Simply send your questions to us at [OCL-Quotes@ocl.com](mailto:OCL-Quotes@ocl.com)

- BIOS, TUNABLE WHITE, WARM-DIM, & RGBW LIGHT SOURCES
- SPECIFIC LUMEN OUTPUT
- MODIFIED CLUSTERS OR CONFIGURATIONS / MULTI-DROP CANOPIES
- VARIOUS SHAPES, ARCS, AND CURVES FOR LINEAR PROFILES AND RINGS
- CEILING OR SURFACE MOUNTING
- LARGE SCALE MODIFICATIONS
- RAL, PANTONE, BRAND-SPECIFIC, RETIRED OCL COLOR, OR CUSTOM FINISHES



- EMERGENCY BATTERY BACKUP OR INVERTER OPTIONS
- REMOTE DRIVERS / EXTENDED DISTANCE REMOTE DRIVERS
- DIMMING TO 0.1% (DIM TO DARK)
- NON-STANDARD SIZES OR LENGTHS
- NON-STANDARD CANOPY, BODY AND/OR CORD COLORS
- SEISMIC AND/OR ANTI-SWAY SYSTEMS
- RIGID STEMS
- MODIFIED OVERALL HEIGHTS (LONGER OR SHORTER OAH)
- UPLIGHT ADDITIONS
- LASER ETCHING, ENGRAVING, AND CUTOUTS

The drawings and specifications and ideas, designs and arrangements represented on these drawings are and shall remain the property of The Original Cast Lighting (OCL Architectural Lighting) and no part thereof shall be copied, disclosed, to others or used in conjunction with any work or project other than the specified project for which they have been prepared and developed, without written consent of OCL. Visual contact with these plans or specifications shall constitute conclusive evidence of acceptance of these restrictions. All specifications and information subject to change without notice.