



Turris™

PENDANT

- EXCELLENT THERMAL MANAGEMENT IS ACHIEVED THROUGH A DIE-CAST ALUMINUM FIXTURE BODY
- QUALITY CONSTRUCTION INCLUDES DIE-CAST ALUMINUM AND EXTRUDED ACRYLIC
- FIELD REPLACEMENT FOR LED ARRAY AND DRIVER
- 3 STEP LED BINNING



CATALOG CODES

TR1	-	B	-	C	-	MW	-	E	-	I	-	J
SERIES		HANGING SYSTEM		SIZE		DIFFUSER		FINISH		VOLTAGE		OPTIONS

SPECIFY CATALOG CODE		A	B	C	D	E
		SERIES	HANGING SYSTEM	SIZE	DIFFUSER	FINISH
 TR1 TURRIS	P1CB	PENDANT WITH SURFACE MOUNT CANOPY, SINGLE WHITE POWER CORD; MOUNTS TO 4X4 OCTAGON J-BOX (BY OTHERS)		14	MW MATTE WHITE	POWDER COAT FINISHES BKP BLACK BMP BRASS METALLIC BNP BRONZE BTP BLACK TEXTURED GRP GRAPHITE GLP GOLDTASTIC MWP MATTE WHITE SGP STEEL GRAY SMP SILVER METALLIC SWP SKY WHITE WTP WHITE TEXTURED
	P1FC	PENDANT WITH FLAT CANOPY, SINGLE WHITE POWER CORD; MOUNTS TO OCL RECESSED J-BOX (PROVIDED BY OCL)		26		
	P1BD	PENDANT WITH EMERGENCY DRIVER IN SURFACE MOUNT CANOPY, SINGLE CENTER AIRCRAFT CABLE AND WHITE POWER CORD		30		

F		G	H	I	J
LIGHT SOURCE		VOLTAGE	OAH	CONTROL	OPTIONS
LED OUTPUT	COLOR TEMP	UNV 120-277	48	DM1 0-10V DIMMING 1%	MOD MODIFIED LUMINAIRE (CONTACT LOCAL REP)
LED1	27K		100	DM3 LUTRON HI-LUME ECOSYSTEM 1% (LDE1)	BIOS BIOS SKYBLUE™ OR BIOS SKYBLUE™ DYNAMIC LIGHT ENGINE**
LED2	30K		144		ULD DAMP LABEL
LED3	35K				
	40K				

SAMPLE CODE: TR1-P1CF-26-MW-BTP-LED2/35K-UNV-48-DM1

*For Minimum OAH, see hanging systems details. Fixture will ship with one of three standard OAH'S (48", 100" or 144") field adjustable to the desired height.

Contact factory for **BIOS SkyBlue® or **BIOS SkyBlue® Dynamic** light engine and control options.

LUMENS AND WATTAGE CHART		
		ALL SIZES
LED1	LUMENS DELIVERED	1000
	SYSTEM WATTAGE	10
LED2	LUMENS DELIVERED	1500
	SYSTEM WATTAGE	15
LED3	LUMENS DELIVERED	2500
	SYSTEM WATTAGE	25

UP TO **100** LM/W

This chart was created for a 35K color temp. Multiply by 0.95 for 27k color temp, 0.97 for 30k color temp, and 1.03 for 40k color temp. Based on testing of 14" fixture; 26" and 30" will have similar performance.

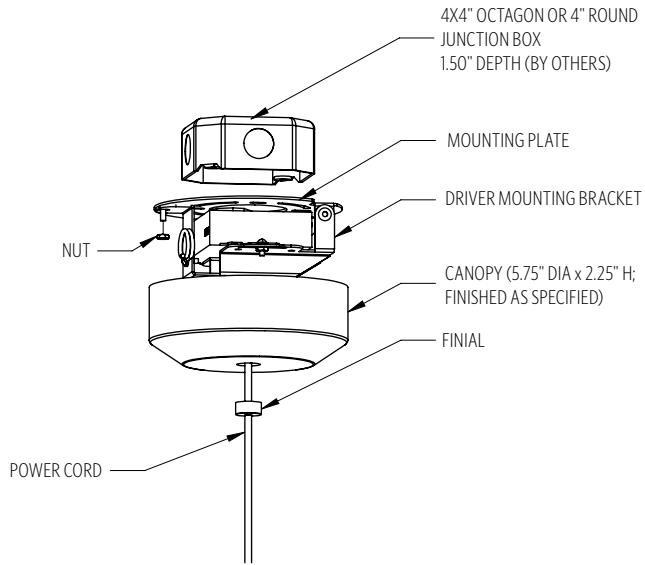
MODS, NOTES, & COMMENTS



This product meets the material restrictions of Article 4 of the RoHS Directive (2011/65/EU), including Commission Delegated Directive 2015/863

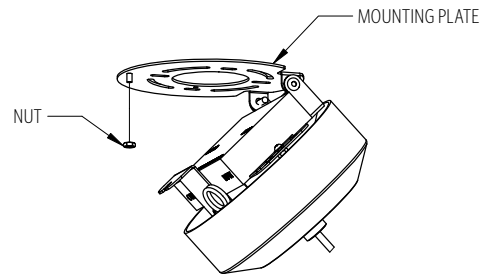
HANGING SYSTEM

PICB PENDANT WITH SURFACE MOUNT CANOPY, SINGLE **WHITE** POWER CORD;
MOUNTS TO 4X4 OCTAGON J-BOX (BY OTHERS)

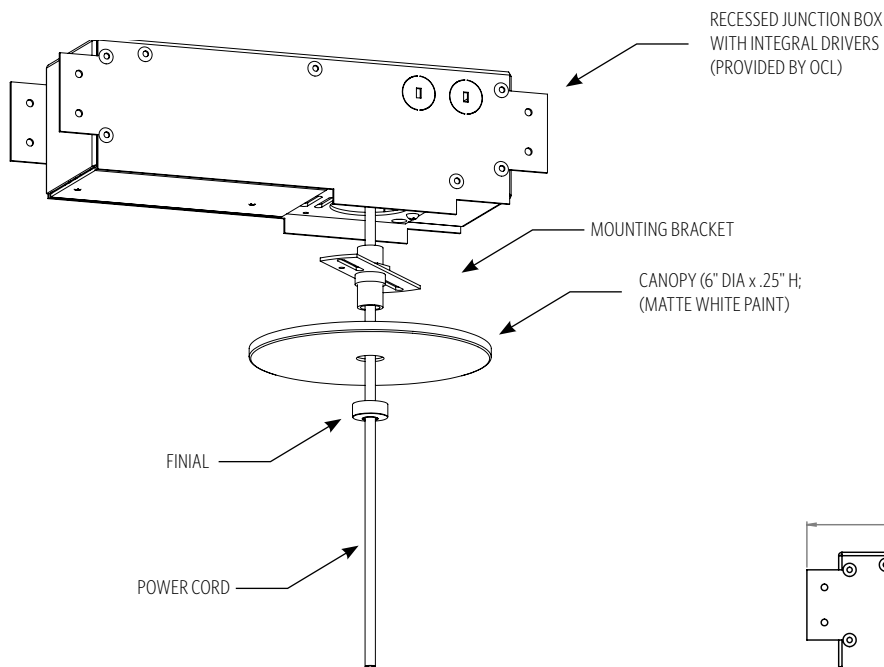


MOUNTING INFORMATION CHART		
LUMINAIRE LENGTH	LUMINAIRE WEIGHT	MIN/MAX OAH
14"	6 LBS	22/144"
26"	6 LBS	34/144"
30"	7 LBS	38/144"

Fixture will ship with one of three standard OAH's (48", 100" or 144") field adjustable to the desired height.

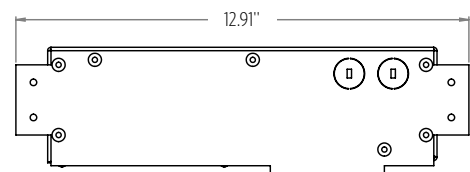
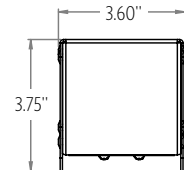


P1FC PENDANT WITH FLAT CANOPY, SINGLE **WHITE** POWER CORD;
MOUNTS TO OCL RECESSED J-BOX (PROVIDED BY OCL)



MOUNTING INFORMATION CHART		
LUMINAIRE LENGTH	LUMINAIRE WEIGHT	MIN/MAX OAH
14"	6 LBS	20/120"
26"	6 LBS	32/120"
30"	7 LBS	36/120"

Fixture will ship with one of three standard OAH's (48", 100" or 144") field adjustable to the desired height.



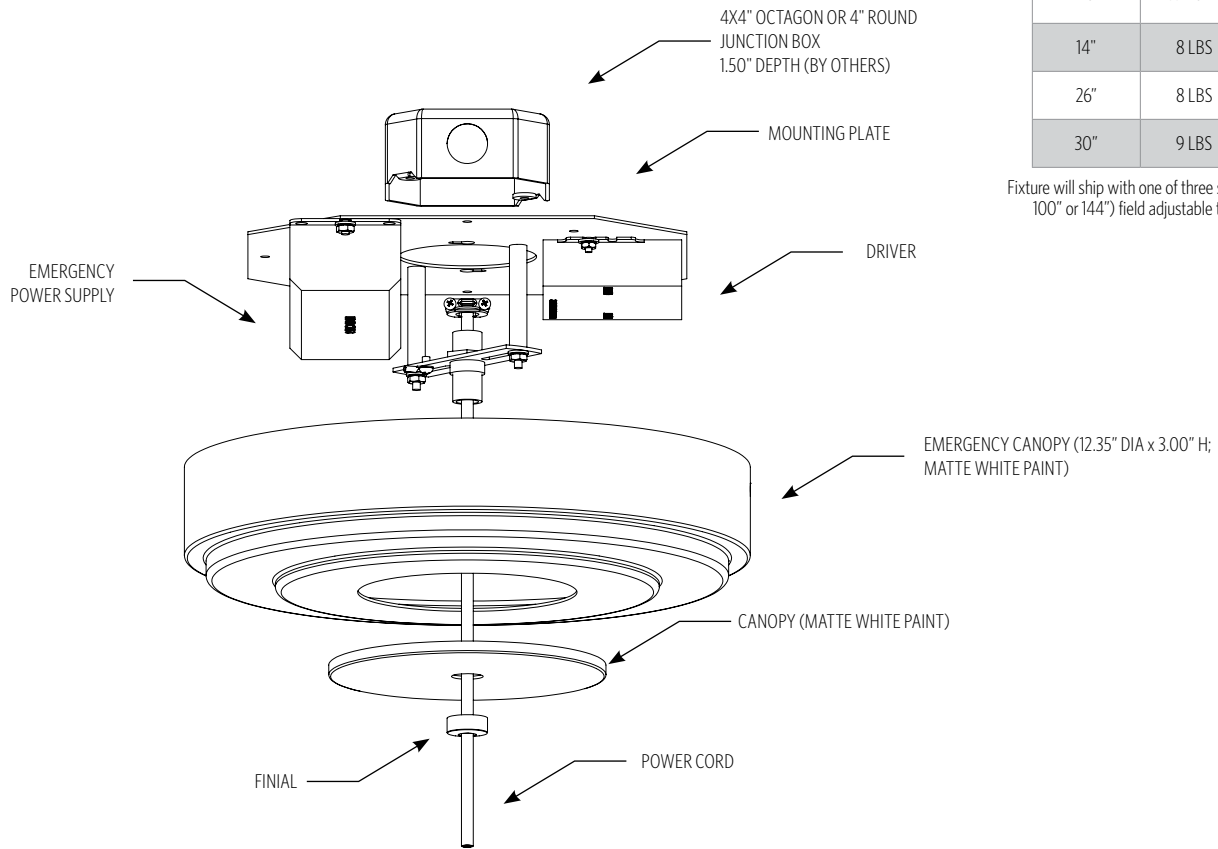
PROFILE VIEW
RECESSED JUNCTION BOX

PIBD PENDANT WITH EMERGENCY DRIVER IN SURFACE MOUNT CANOPY, SINGLE CENTER AIRCRAFT CABLE AND **WHITE** POWER CORD

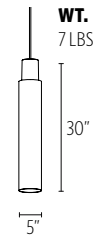
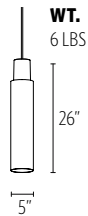
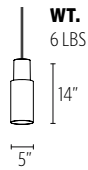
MOUNTING INFORMATION CHART

LUMINAIRE LENGTH	LUMINAIRE WEIGHT	MIN/MAX OAH
14"	8 LBS	22/144"
26"	8 LBS	34/144"
30"	9 LBS	38/144"

Fixture will ship with one of three standard OAH's (48", 100" or 144") field adjustable to the desired height.



SIZES



DIFFUSER



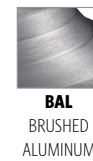
MW MATTE WHITE

FINISH

METALLIC POWDER COAT FINISHES:



PREMIUM METAL FINISHES:



SOLID POWDER COAT FINISHES:



TEXTURED POWDER COAT FINISHES:



RAL®, Pantone®, or custom finishes are also available.

These colors are for reference only. Please be aware that colors may vary per monitor. Contact your local rep for finish samples or with any questions.

LIGHT SOURCE

LUMENS AND WATTAGE CHART		ALL SIZES
LED1	LUMENS DELIVERED	1000
	SYSTEM WATTAGE	10
LED2	LUMENS DELIVERED	1500
	SYSTEM WATTAGE	15
LED3	LUMENS DELIVERED	2500
	SYSTEM WATTAGE	25

This chart was created for a 35K color temp. Multiply by 0.95 for 27k color temp, 0.97 for 30k color temp, and 1.03 for 40k color temp.

Based on testing of 14" fixture; 26" and 30" will have similar performance.

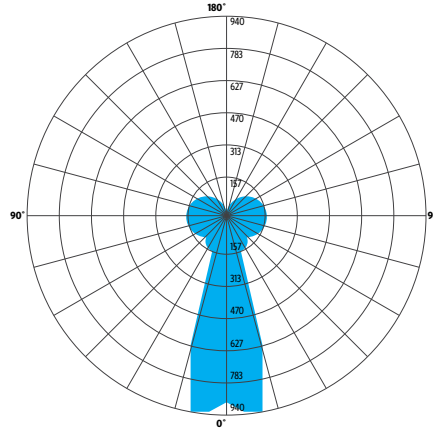
STANDARD COLOR TEMPERATURE OPTIONS	CRI (RA)
2700K	80+
3000K	80+
3500K	80+
4000K	80+

ZONE	LUMENS	% OF LUMINAIRE
0-30	400	16%
0-60	825	33%
0-90	1500	60%
90-180	1000	40%
0-180	2500	100%

PHOTOMETRY:

FIXTURE:	TRI-P1CC-14-MW-BTP
COLOR TEMP #:	3500K
OUTPUT:	2110
EFFICACY:	100 LM/W
TEST REPORT:	TEST NO. 17811.0

For all available IES files, please visit our website at ocl.com.



CONTROL

DM1 0-10V DIMMING 1%

- 0-10V DIMMING
- 1% MINIMUM DIM LEVEL
- ELECTRONIC DRIVER
- POWER FACTOR >0.9
- THD <20%
- MINIMUM AMBIENT OPERATING TEMPERATURE -31°F
- FIELD REPLACEABLE

DM3 LUTRON HI-LUME ECOSYSTEM 1% (LDE1)

- LUTRON DIGITAL ECOSYSTEM DIMMING
- 1% MINIMUM DIMMING LEVEL
- SOFT-ON / FADE-TO-BLACK
- ELECTRONIC DRIVER
- POWER FACTOR >0.9 @ 120V
- THD <23% @ 120V
- MIN AMBIENT OPERATING TEMPERATURE = -32°F
- FIELD REPLACEABLE

OPTIONS

MOD MODIFIED LUMINAIRE

- LUMINAIRE IS MODIFIED FROM STANDARD OPTIONS; CONTACT LOCAL REP FOR MORE INFORMATION

ULD DAMP LABEL LUMINAIRE

- MAY BE USED IN AN OUTDOOR AREA THAT IS PROTECTED FROM DIRECT CONTACT WITH WIND, RAIN, SNOW OR EXCESSIVE MOISTURE

BIOS

- **BIOS SKYBLUE™ DYNAMIC** LIGHT ENGINE IS DIMMABLE AND FEATURES A SIMPLE APPROACH TO CIRCADIAN LIGHTING CONTROLS.
- WHEN PAIRED WITH THE BIOS BIO-DIMMING MODULE, IT OPERATES USING ANY SINGLE CHANNEL CONSTANT CURRENT (CC) LED DRIVER AND CAN BE USED WITH ANY STANDARD DIMMING INTERFACE/PROTOCOL (0-10V, ELV, DMX, WIRELESS) AND COULD WORK WITH EXISTING TWO-CHANNEL CONTROL SYSTEMS AS WELL.
- VISIT OCL.COM/BIOS FOR MORE INFORMATION

SPECIFICATIONS

CONSTRUCTION

- FIXTURE IS DIE-CAST ALUMINUM
- DIFFUSER IS EXTRUDED ACRYLIC
- HANGING SYSTEMS USE STEEL OR ALUMINUM CANOPIES
- HARDWARE IS ZINC PLATED OR STAINLESS STEEL

MOUNTING

- PICB & PIBD MOUNT TO 4X4" OCTAGON OR 4" ROUND J-BOX (BY OTHER)
- PIFC MOUNTS TO OCL PROPRIETARY RECESSED J-BOX WITH INTEGRAL DRIVER (PROVIDED BY OCL)

ELECTRICAL

- DIMMING ELECTRONIC DRIVER(S), COMES STANDARD WITH 0-10V DOWN TO 1%
- LUTRON (LDE1) ECOSYSTEM 1% ALSO AVAILABLE
- BRIDGELUX COB
- LUMINAIRE CONNECTS TO BUILDING SUPPLY (120V-277V 50/60HZ) UNLESS DRIVERS ARE REMOTE

EMERGENCY DRIVER

- EMERGENCY DRIVER RUNS AT 5W FOR 90 MINUTES WHEN ACTIVE
- 24 HOUR RECHARGE PERIOD
- 7-10 YEAR BATTERY LIFE
- 5 YEAR WARRANTY

LISTING

- ETL LISTED TO UL 1598 FOR DRY LOCATIONS; DAMP LOCATION LISTED IS OPTION

WARRANTY

- 5 YEAR; ALL ELECTRICAL COMPONENTS RETAIN THE MANUFACTURER'S WARRANTY

SUSTAINABILITY

- THIS PRODUCT MEETS THE MATERIAL RESTRICTIONS OF ARTICLE 4 OF THE **ROHS** DIRECTIVE (2011/65/EU), INCLUDING COMMISSION DELEGATED DIRECTIVE 2015/863
- **BIOS** LIGHTING CONTRIBUTES TOWARD THE CIRCADIAN LIGHTING DESIGN FEATURE 54 UNDER THE **WELL BUILDING STANDARD™ V1** AND FEATURE L03 UNDER THE **WELL BUILDING STANDARD V2**

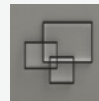
COMMON MODIFICATIONS

WE'RE BUILT FOR OUT-OF-THE-BOX THINKERS.

Nearly 50% of OCL fixtures we manufacture have some type of modification. Here is a list of common modifications we frequently produce. **Please contact the factory for modifications specific to your fixture or project.**

Need some help? Simply send your questions to us at OCL-Quotes@ocl.com

- BIOS, TUNABLE WHITE, WARM-DIM, & RGBW LIGHT SOURCES
- SPECIFIC LUMEN OUTPUT
- MODIFIED CLUSTERS OR CONFIGURATIONS / MULTI-DROP CANOPIES
- VARIOUS SHAPES, ARCS, AND CURVES FOR LINEAR PROFILES AND RINGS
- CEILING OR SURFACE MOUNTING
- LARGE SCALE MODIFICATIONS
- RAL, PANTONE, BRAND-SPECIFIC, RETIRED OCL COLOR, OR CUSTOM FINISHES



- EMERGENCY BATTERY BACKUP OR INVERTER OPTIONS
- REMOTE DRIVERS / EXTENDED DISTANCE REMOTE DRIVERS
- DIMMING TO 0.1% (DIM TO DARK)
- NON-STANDARD SIZES OR LENGTHS
- NON-STANDARD CANOPY, BODY AND/OR CORD COLORS
- SEISMIC AND/OR ANTI-SWAY SYSTEMS
- RIGID STEMS
- MODIFIED OVERALL HEIGHTS (LONGER OR SHORTER OAH)
- UPLIGHT ADDITIONS
- LASER ETCHING, ENGRAVING, AND CUTOUTS

The drawings and specifications and ideas, designs and arrangements represented on these drawings are and shall remain the property of The Original Cast Lighting (OCL Architectural Lighting) and no part thereof shall be copied, disclosed, to others or used in conjunction with any work or project other than the specified project for which they have been prepared and developed, without written consent of OCL. Visual contact with these plans or specifications shall constitute conclusive evidence of acceptance of these restrictions. All specifications and information subject to change without notice.