



Schoolhouse™

SCONCE

FEATURES

- THE SCHOOLHOUSE SERIES FEATURE UNIQUE STYLES OF HAND-BLOWN, OPAL WHITE GLASS
- CONSTRUCTED FROM SOLID NON-FERROUS BRASS OR ALUMINUM



CATALOG CODES

SC1	-	S1SC	-	C	-	WG	-	E	-	LED1	-	UNV	-	DM1	-	I
SERIES		HANGING SYSTEM		SIZE		DIFFUSER		FINISH		LIGHT SOURCE		VOLTAGE		CONTROL		OPTIONS

SPECIFY CATALOG CODE

A			B		C	D		E					
SERIES			HANGING SYSTEM*		SIZE	DIFFUSER		FINISH					
 SC1 SCHOOLHOUSE			S1SC ARM SCONCE		07	WG WHITE GLASS		PREMIUM METAL FINISH PAL POLISHED ALUMINUM BAL BRUSHED ALUMINUM PTR PEWTER PBR POLISHED BRASS BBR BRUSHED BRASS ABR ANTIQUE BRASS STB STATUARY BRONZE SNK SATIN NICKEL ORB OIL RUBBED BRONZE			POWDER COAT FINISHES BKP BLACK BMP BRASS METALLIC BNP BRONZE BTP BLACK TEXTURED GRP GRAPHITE GLP GOLDTASTIC MWP MATTE WHITE SGP STEEL GRAY SMP SILVER METALLIC SWP SKY WHITE WTP WHITE TEXTURED		
								10					
F			G		H		I						
LIGHT SOURCE			VOLTAGE		CONTROL		OPTIONS						
LED OUTPUT LED1 COLOR TEMP (80+ CRI) 27K 30K 35K 40K			COLOR TEMP (90+ CRI) 927K 930K 935K 940K		UNV 120-277		DM1 0-10V DIMMING 1%			ULD MOD UL DAMP LABEL MODIFIED LUMINAIRE (CONTACT LOCAL REP)			

SAMPLE CODE: SC1-S1SC-10-WG-BKP-LED1/27K-UNV-DM1

UP TO **64** LM/W

LUMENS AND WATTAGE CHART		SIZE	
		07	10
LED1	LUMENS DELIVERED	950	950
	SYSTEM WATTAGE	15	15

This chart was created for a 35K color temp. Multiply by 0.95 for 27k color temp, 0.97 for 30k color temp, and 1.03 for 40k color temp. Values shown for 80+ CRI. For 90+ CRI lumens use 0.85 multiplier.

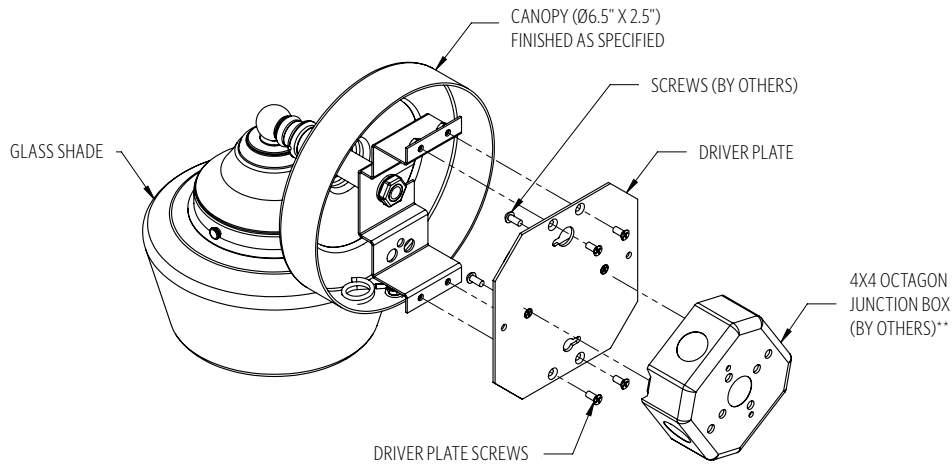
MODS, NOTES, & COMMENTS

HANGING SYSTEM

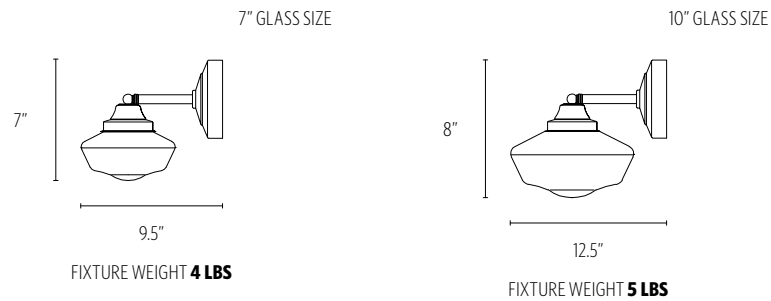
S1SC ARM.SCONCE

MOUNTING INFORMATION CHART

LUMINAIRE DIAMETER	LUMINAIRE WEIGHT	MOUNTING POINTS
7"	4 LBS	1
10"	5 LBS	1



SIZES



DIFFUSER



WG WHITE GLASS

FINISH

METALLIC POWDER COAT FINISHES:



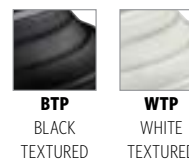
PREMIUM METAL FINISHES:



SOLID POWDER COAT FINISHES:



TEXTURED POWDER COAT FINISHES:



RAL®, Pantone® or custom finishes are also available.

These colors are for reference only. Please be aware that colors may vary per monitor. Contact your local rep for finish samples or with any questions.

LIGHT SOURCE

LUMENS AND WATTAGE CHART		SIZE	
		07	10
LED1	LUMENS DELIVERED	950	950
	SYSTEM WATTAGE	15	15

This chart was created for a 35K color temp. Multiply by 0.95 for 27k color temp, 0.97 for 30k color temp, and 1.03 for 40k color temp. Values shown for 80+ CRI. For 90+ CRI lumens use 0.85 multiplier.

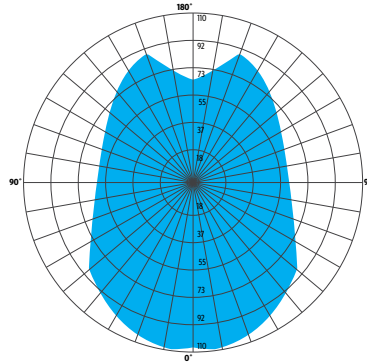
STANDARD COLOR TEMPERATURE OPTIONS	CRI (RA)	
	2700K	80+
3000K	80+	90+
3500K	80+	90+
4000K	80+	90+

ZONE	LUMENS	% OF LUMINAIRE
0-30	88	9%
0-60	293	31%
0-90	508	54%
90-180	440	46%
0-180	947	100

PHOTOMETRY:

FIXTURE: SCI-SISA-07 LED1
 COLOR TEMP #: 3500K
 EFFICACY: 63 LM/W
 TEST REPORT: TEST NO. 13762

For all available IES files, please visit our website at ocl.com.



SCI-SISC

CONTROL

DM1 0-10V DIMMING DOWN TO 1%

- 0-10V DIMMING
- 1% MINIMUM DIMMING LEVEL
- ELECTRONIC DRIVER
- POWER FACTOR >0.9
- THD <20%
- MIN AMBIENT OPERATING TEMPERATURE = -31°F
- FIELD REPLACEABLE

OPTIONS

ULD DAMP LABEL LUMINAIRE

- MAY BE USED IN AN OUTDOOR AREA THAT IS PROTECTED FROM DIRECT CONTACT WITH WIND, RAIN, SNOW OR EXCESSIVE MOISTURE

MOD MODIFIED LUMINAIRE

- LUMINAIRE IS MODIFIED FROM STANDARD OPTIONS; CONTACT LOCAL REP FOR MORE INFORMATION

SPECIFICATIONS

CONSTRUCTION

- FIXTURE IS SPUN, EXTRUDED, AND MACHINED ALUMINUM OR BRASS
- HAND-BLOWN, OPAL WHITE GLASS"
- HANGING SYSTEMS USE STEEL, ALUMINUM, OR BRASS CANOPIES
- HARDWARE IS ZINC PLATED OR STAINLESS STEEL

MOUNTING

- **SISC** MOUNTS TO 4X4" OCTAGON OR 4" ROUND J-BOX (BY OTHER)

ELECTRICAL

- DIMMING ELECTRONIC DRIVER(S), COMES STANDARD WITH 0-10V DOWN TO 1%
- 0-10V DOWN TO 0.1% AND LUTRON ECOSYSTEM (LDE1) 1% ALSO AVAILABLE AS MODIFICATION (REQUIRES REMOTE DRIVERS)
- BRIDGELUX COB
- LUMINAIRE CONNECTS TO BUILDING SUPPLY (120V-277V 50/60HZ) UNLESS DRIVERS ARE REMOTE

LISTING

- ETL LISTED TO UL 1598 FOR DRY LOCATIONS; DAMP LOCATION LISTED IS OPTION

WARRANTY

- 5 YEAR; ALL ELECTRICAL COMPONENTS RETAIN THE MANUFACTURER'S WARRANTY

The drawings and specifications and ideas, designs and arrangements represented on these drawings are and shall remain the property of The Original Cast Lighting (OCL Architectural Lighting) and no part thereof shall be copied, disclosed, to others or used in conjunction with any work or project other than the specified project for which they have been prepared and developed, without written consent of OCL. Visual contact with these plans or specifications shall constitute conclusive evidence of acceptance of these restrictions. All specifications and information subject to change without notice.