



Schoolhouse™

CEILING

FEATURES

- THE SCHOOLHOUSE SERIES FEATURE UNIQUE STYLES OF HAND-BLOWN, OPAL WHITE GLASS
- CONSTRUCTED FROM SOLID NON-FERROUS BRASS OR ALUMINUM



CATALOG CODES

SC1	-	C1NA	-	C	-	WG	-	E	-	F	-	UNV	-	DM1	-	I
SERIES		HANGING SYSTEM		SIZE		DIFFUSER		FINISH		LIGHT SOURCE		VOLTAGE		CONTROL		OPTIONS

SPECIFY CATALOG CODE

A	B	C	D	E																								
SERIES	HANGING SYSTEM*	SIZE	DIFFUSER	FINISH																								
 SC1 SCHOOLHOUSE	C1NA SURFACE CEILING MOUNT	14 16 18	WG WHITE GLASS	<table border="0"> <tr> <td>PREMIUM METAL FINISH</td> <td>POWDER COAT FINISHES</td> </tr> <tr> <td>PAL POLISHED ALUMINUM</td> <td>BKP BLACK</td> </tr> <tr> <td>BAL BRUSHED ALUMINUM</td> <td>BMP BRASS METALLIC</td> </tr> <tr> <td>PTR PEWTER</td> <td>BNP BRONZE</td> </tr> <tr> <td>PBR POLISHED BRASS</td> <td>BTP BLACK TEXTURED</td> </tr> <tr> <td>BBR BRUSHED BRASS</td> <td>GRP GRAPHITE</td> </tr> <tr> <td>ABR ANTIQUE BRASS</td> <td>GLP GOLDTASTIC</td> </tr> <tr> <td>STB STATUARY BRONZE</td> <td>MWP MATTE WHITE</td> </tr> <tr> <td>SNK SATIN NICKEL</td> <td>SGP STEEL GRAY</td> </tr> <tr> <td>ORB OIL RUBBED BRONZE</td> <td>SMP SILVER METALLIC</td> </tr> <tr> <td></td> <td>SWP SKY WHITE</td> </tr> <tr> <td></td> <td>WTP WHITE TEXTURED</td> </tr> </table>	PREMIUM METAL FINISH	POWDER COAT FINISHES	PAL POLISHED ALUMINUM	BKP BLACK	BAL BRUSHED ALUMINUM	BMP BRASS METALLIC	PTR PEWTER	BNP BRONZE	PBR POLISHED BRASS	BTP BLACK TEXTURED	BBR BRUSHED BRASS	GRP GRAPHITE	ABR ANTIQUE BRASS	GLP GOLDTASTIC	STB STATUARY BRONZE	MWP MATTE WHITE	SNK SATIN NICKEL	SGP STEEL GRAY	ORB OIL RUBBED BRONZE	SMP SILVER METALLIC		SWP SKY WHITE		WTP WHITE TEXTURED
PREMIUM METAL FINISH	POWDER COAT FINISHES																											
PAL POLISHED ALUMINUM	BKP BLACK																											
BAL BRUSHED ALUMINUM	BMP BRASS METALLIC																											
PTR PEWTER	BNP BRONZE																											
PBR POLISHED BRASS	BTP BLACK TEXTURED																											
BBR BRUSHED BRASS	GRP GRAPHITE																											
ABR ANTIQUE BRASS	GLP GOLDTASTIC																											
STB STATUARY BRONZE	MWP MATTE WHITE																											
SNK SATIN NICKEL	SGP STEEL GRAY																											
ORB OIL RUBBED BRONZE	SMP SILVER METALLIC																											
	SWP SKY WHITE																											
	WTP WHITE TEXTURED																											

F			G	H	I
LIGHT SOURCE			VOLTAGE	CONTROL	OPTIONS
LED OUTPUT LED1 LED2	COLOR TEMP (80+ CRI) 27K 30K 35K 40K	COLOR TEMP (90+ CRI) 927K 930K 935K 940K	UNV 120-277	DM1 0-10V DIMMING 1%	ULD UL DAMP LABEL MOD MODIFIED LUMINAIRE (CONTACT LOCAL REP)

SAMPLE CODE: SC1-S1SC-10-WG-BKP-LED1/27K-UNV-DM1

MODS, NOTES, & COMMENTS

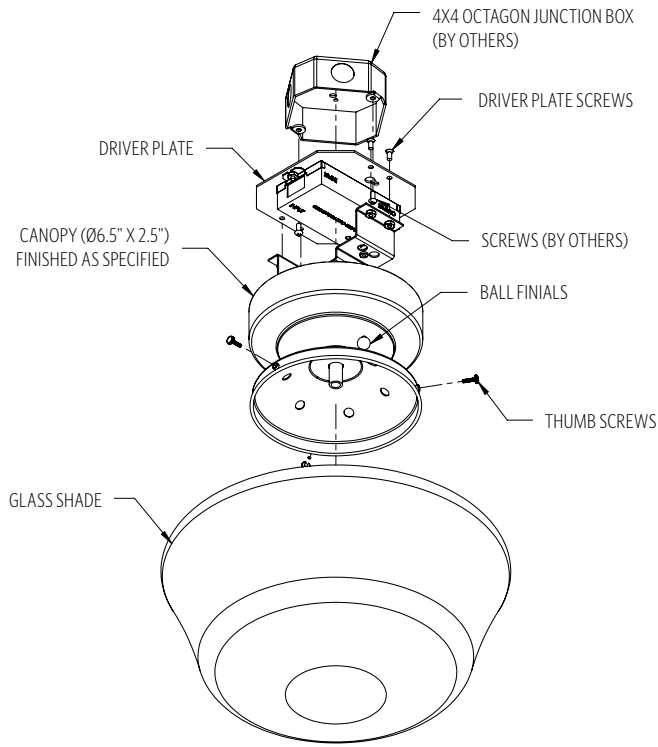
UP TO **74** LM/W

LUMENS AND WATTAGE CHART				
		14	16	18
LED1	LUMENS DELIVERED	1480	1480	1480
	SYSTEM WATTAGE	20	20	20
LED2	LUMENS DELIVERED	1850	1850	1850
	SYSTEM WATTAGE	25	25	25

This chart was created for a 35K color temp. Multiply by 0.95 for 27k color temp, 0.97 for 30k color temp, and 1.03 for 40k color temp. Values shown for 80+ CRI. For 90+ CRI lumens use 0.85 multiplier.

HANGING SYSTEM

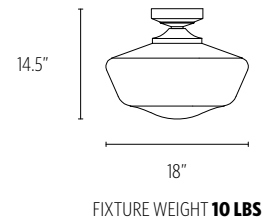
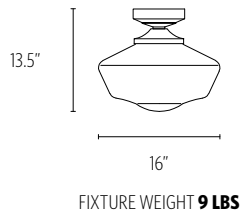
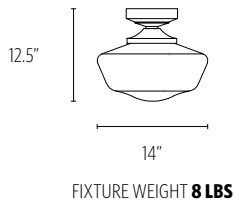
C1NA SURFACE CEILING MOUNT



MOUNTING INFORMATION CHART

LUMINAIRE DIAMETER	LUMINAIRE WEIGHT	MOUNTING POINTS
14"	8 LBS	1
16"	9 LBS	1
18"	10 LBS	1

SIZES



DIFFUSER



WG WHITE GLASS

FINISH

METALLIC POWDER COAT FINISHES:



SMP
SILVER



GRP
GRAPHITE



SGP
STEEL GRAY



GLP
GOLDTASTIC



BMP
BRASS



BNP
BRONZE

SOLID POWDER COAT FINISHES:



SWP
SKY WHITE



MWP
MATTE WHITE



BKP
BLACK

TEXTURED POWDER COAT FINISHES:



BTP
BLACK TEXTURED



WTP
WHITE TEXTURED

RAL[®], Pantone[®] or custom finishes are also available.

These colors are for reference only. Please be aware that colors may vary per monitor. Contact your local rep for finish samples or with any questions.

PREMIUM METAL FINISHES:



PAL
POLISHED ALUMINUM



BAL
BRUSHED ALUMINUM



PTR
PEWTER



PBR
POLISHED BRASS



BBR
BRUSHED BRASS



ABR
ANTIQUE BRASS



STB
STATUARY BRONZE



SNK
SATIN NICKEL



ORB
OIL RUBBED BRONZE

LIGHT SOURCE

		LUMENS AND WATTAGE CHART		
		14	16	18
LED1	LUMENS DELIVERED	1480	1480	1480
	SYSTEM WATTAGE	20	20	20
LED2	LUMENS DELIVERED	1850	1850	1850
	SYSTEM WATTAGE	25	25	25

This chart was created for a 35K color temp. Multiply by 0.95 for 27k color temp, 0.97 for 30k color temp, and 1.03 for 40k color temp. Values shown for 80+ CRI. For 90+ CRI lumens use 0.85 multiplier.

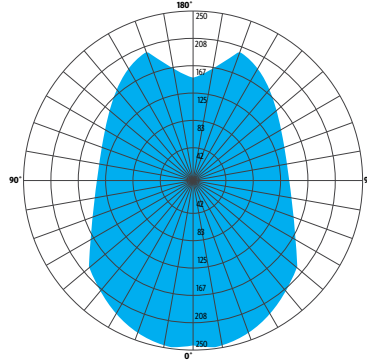
PHOTOMETRY:

FIXTURE: SCI-C1NA-14 LED2
 COLOR TEMP #: 3500K
 EFFICACY: 74 LM/W
 TEST REPORT: TEST NO. 13762

For all available IES files, please visit our website at ocl.com.

STANDARD COLOR TEMPERATURE OPTIONS	CRI (RA)	
2700K	80+	90+
3000K	80+	90+
3500K	80+	90+
4000K	80+	90+

ZONE	LUMENS	% OF LUMINAIRE
0-30	167	9%
0-60	574	31%
0-90	999	54%
90-180	851	46%
0-180	1850	100



SCI-C1NA

CONTROL

DM1 0-10V DIMMING DOWN TO 1%

- 0-10V DIMMING
- 1% MINIMUM DIMMING LEVEL
- ELECTRONIC DRIVER
- POWER FACTOR >0.9
- THD <20%
- MIN AMBIENT OPERATING TEMPERATURE = -31°F
- FIELD REPLACEABLE

OPTIONS

ULD DAMP LABEL LUMINAIRE

- MAY BE USED IN AN OUTDOOR AREA THAT IS PROTECTED FROM DIRECT CONTACT WITH WIND, RAIN, SNOW OR EXCESSIVE MOISTURE

MOD MODIFIED LUMINAIRE

- LUMINAIRE IS MODIFIED FROM STANDARD OPTIONS; CONTACT LOCAL REP FOR MORE INFORMATION

SPECIFICATIONS

CONSTRUCTION

- FIXTURE IS SPUN, EXTRUDED, AND MACHINED ALUMINUM OR BRASS
- HAND-BLOWN, OPAL WHITE GLASS
- HANGING SYSTEMS USE STEEL, ALUMINUM, OR BRASS CANOPIES
- HARDWARE IS ZINC PLATED OR STAINLESS STEEL

MOUNTING

- **C1NA** MOUNTS TO 4X4" OCTAGON OR 4" ROUND J-BOX (BY OTHER)

ELECTRICAL

- DIMMING ELECTRONIC DRIVER(S), COMES STANDARD WITH 0-10V DOWN TO 1%
- 0-10V DOWN TO 0.1% AND LUTRON ECOSYSTEM (LDE1) 1% ALSO AVAILABLE AS MODIFICATION (REQUIRES REMOTE DRIVERS)
- BRIDGELUX COB
- LUMINAIRE CONNECTS TO BUILDING SUPPLY (120V-277V 50/60HZ) UNLESS DRIVERS ARE REMOTE

LISTING

- ETL LISTED TO UL 1598 FOR DRY LOCATIONS; DAMP LOCATION LISTED IS OPTION

WARRANTY

- 5 YEAR; ALL ELECTRICAL COMPONENTS RETAIN THE MANUFACTURER'S WARRANTY

The drawings and specifications and ideas, designs and arrangements represented on these drawings are and shall remain the property of The Original Cast Lighting (OCL Architectural Lighting) and no part thereof shall be copied, disclosed, to others or used in conjunction with any work or project other than the specified project for which they have been prepared and developed, without written consent of OCL. Visual contact with these plans or specifications shall constitute conclusive evidence of acceptance of these restrictions. All specifications and information subject to change without notice.