



Regency™

SCONCE

FEATURES

- THE REGENCY SCONCE IS A ROBUST AND STYLISH WALL FIXTURE CONSTRUCTED WITH SOLID ALUMINUM OR BRASS BAR STOCK
- 1/8" THICK EXTRUDED, VIRGIN WHITE ACRYLIC DIFFUSER IS UV STABLE AND UL-94 HB FLAME CLASS RATED
- FAUX ACRYLIC IS THERMALLY FORMED AND COLORS ARE MIXED COMPLETELY THROUGH TO AVOID NOTICEABLE FADING

MADE IN USA



CATALOG CODES

RG1	-	S1SA	-	C	-	D	-	E	-	/	-	UNV	-	DM1	-	I
SERIES		HANGING SYSTEM		SIZE		DIFFUSER		FINISH		LIGHT SOURCE		VOLTAGE		CONTROL		OPTIONS

SPECIFY CATALOG CODE

A		B		C		D		E	
SERIES		HANGING SYSTEM*		SIZE	DIFFUSER		FINISH		
 RG1 REGENCY	S1SA INDOOR ADA COMPLIANT SCONCE	18	GW GLOSS WHITE	POWDER COAT FINISHES		PREMIUM METAL FINISH			
			24	MW MATTE WHITE	BKP BLACK	PAL POLISHED ALUMINUM			
			FA FAUX ALABASTER	BMP BRASS METALLIC	BAL BRUSHED ALUMINUM				
			WS WHITE SWIRL	BNP BRONZE	PTR PEWTER				
				BTP BLACK TEXTURED	PBR POLISHED BRASS				
				GRP GRAPHITE	BBR BRUSHED BRASS	ABR ANTIQUE BRASS			
				GLP GOLDTASTIC	MWP MATTE WHITE	STB STATUARY BRONZE			
				SGP STEEL GRAY	SGP STEEL GRAY	SNK SATIN NICKEL			
				SMP SILVER METALLIC	SWP SKY WHITE	ORB OIL RUBBED BRONZE			
				WTP WHITE TEXTURED					

F			G		H		I	
LIGHT SOURCE			VOLTAGE		CONTROL		OPTIONS	
LED OUTPUT LED1 LED2	COLOR TEMP (80+ CRI) 27K 30K 35K 40K	COLOR TEMP (90+ CRI) 927K 930K 935K 940K	UNV	120-277	DM1	0-10V DIMMING 1%	ULD DAMP LABEL (S1SA ONLY) BIOS BIOS SKYBLUE™ OR BIOS SKLYBLUE™ DYNAMIC LIGHT ENGINE* MOD MODIFIED LUMINAIRE (CONTACT LOCAL REP)	

SAMPLE CODE: RG1-S1SA-18-GW-BTP-LED1/27K-UNV-DM1

*Contact factory for BIOS SkyBlue® or BIOS SkyBlue® Dynamic light engine and control options. Visit ocl.com/BIOS for more information.

MODS, NOTES, & COMMENTS

LUMENS AND WATTAGE CHART		SIZE	
		18"	24"
LED1	LUMENS DELIVERED	1030	1280
	SYSTEM WATTAGE	20	25
LED2	LUMENS DELIVERED	1550	1940
	SYSTEM WATTAGE	30	35

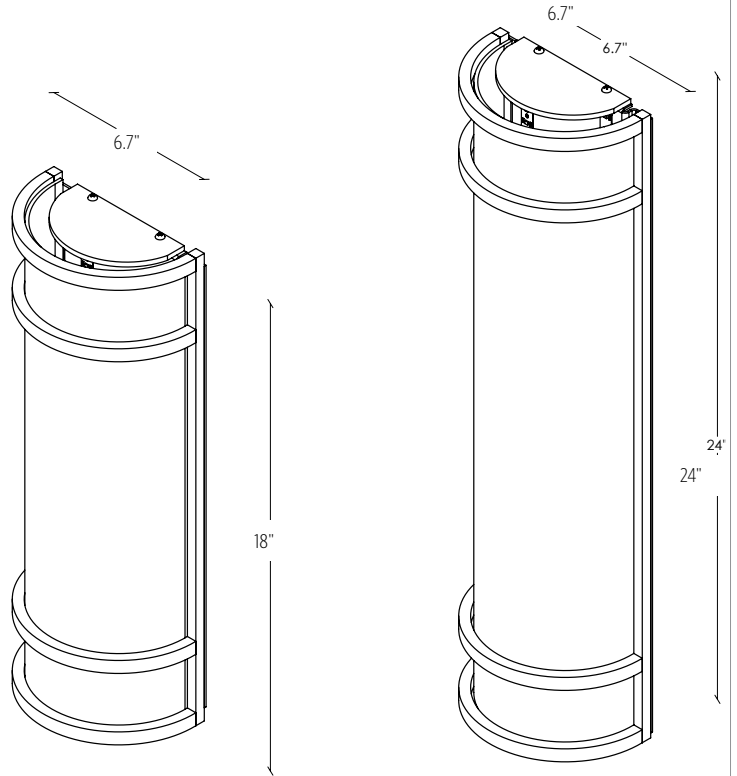
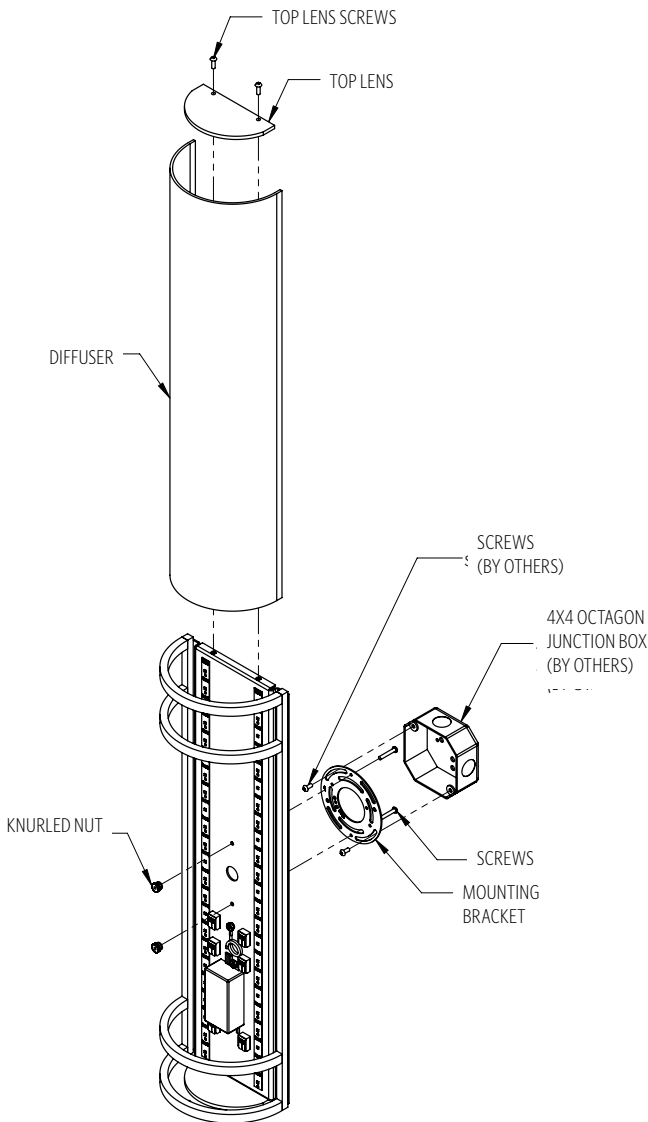
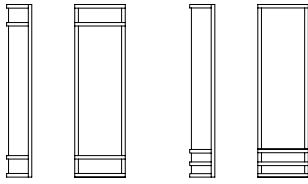
This chart was created for a 35K color temp. Multiply by 0.95 for 27k color temp, 0.97 for 30k color temp, and 1.03 for 40k color temp. Values shown for 80+ CRI. For 90+ CRI lumens use 0.85 multiplier.

HANGING SYSTEM

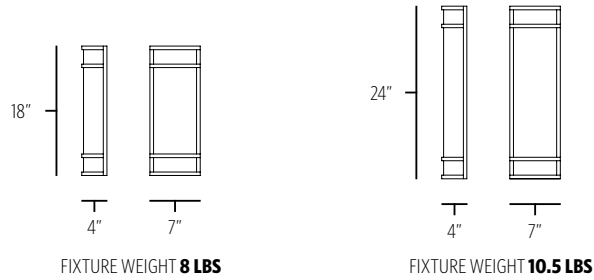
S1SA INDOOR ADA COMPLIANT SCNCE

MOUNTING INFORMATION CHART

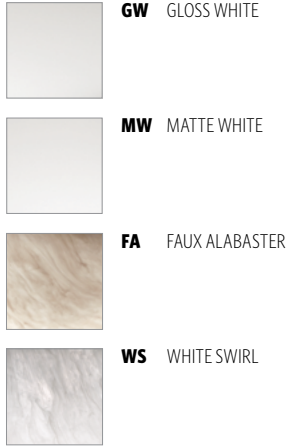
LUMINAIRE DIAMETER	LUMINAIRE WEIGHT
18"	8 LBS
24"	10.5 LBS



SIZES



DIFFUSER

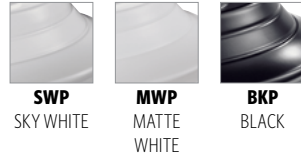


FINISH

METALLIC POWDER COAT FINISHES:



SOLID POWDER COAT FINISHES:



TEXTURED POWDER COAT FINISHES:



PREMIUM METAL FINISHES:



RAL[®], Pantone[®] or custom finishes are also available.

These colors are for reference only. Please be aware that colors may vary per monitor. Contact your local rep for finish samples or with any questions.

LIGHT SOURCE

LUMENS AND WATTAGE CHART		SIZE	
		18"	24"
LED1	LUMENS DELIVERED	1030	1280
	SYSTEM WATTAGE	20	25
LED2	LUMENS DELIVERED	1550	1940
	SYSTEM WATTAGE	30	35

This chart was created for a 35K color temp. Multiply by 0.95 for 27k color temp, 0.97 for 30k color temp, and 1.03 for 40k color temp. Values shown for 80+ CRI. For 90+ CRI lumens use 0.85 multiplier.

STANDARD COLOR TEMPERATURE OPTIONS	CRI	
	2700K	80+
3000K	80+	90+
3500K	80+	90+
4000K	80+	90+

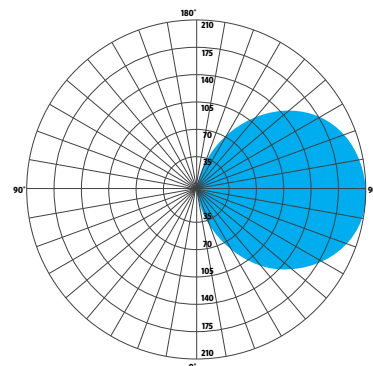
For 80+ CRI - 80 RA, R9 > 0 (10-15 TYP); For 90+ CRI - 90 RA, R9 > 50

ZONE	NARROW FLOOD	
	LUMENS	% OF LUMINAIRE
0-30	26	3%
0-60	198	19%
0-90	516	50%
90-180	513	50%
0-180	1030	100%

PHOTOMETRY:

FIXTURE: RG1-SISA-18 LED1
 COLOR TEMP #: 3500K
 EFFICACY: 55 LM/W
 TEST REPORT: TEST NO. 12339

For all available IES files, please visit our website at ocl.com.



RG1

CONTROL

DM1 0-10V DIMMING DOWN TO 1%

- 0-10V DIMMING
- 1% MINIMUM DIMMING LEVEL
- ELECTRONIC DRIVER
- POWER FACTOR >0.9
- THD <20%
- MIN AMBIENT OPERATING TEMPERATURE = -31°F
- FIELD REPLACEABLE

OPTIONS

ULD DAMP LABEL LUMINAIRE

- MAY BE USED IN AN OUTDOOR AREA THAT IS PROTECTED FROM DIRECT CONTACT WITH WIND, RAIN, SNOW OR EXCESSIVE MOISTURE

MOD MODIFIED LUMINAIRE

- LUMINAIRE IS MODIFIED FROM STANDARD OPTIONS; CONTACT LOCAL REP FOR MORE INFORMATION **BIOS**

BIOS BIOS SKYBLUE™ DYNAMIC LIGHT ENGINE

- LIGHT ENGINE IS DIMMABLE AND FEATURES A SIMPLE APPROACH TO CIRCADIAN LIGHTING CONTROLS.
- WHEN PAIRED WITH THE BIOS BIO-DIMMING MODULE, IT OPERATES USING ANY SINGLE CHANNEL CONSTANT CURRENT (CC) LED DRIVER AND CAN BE USED WITH ANY STANDARD DIMMING INTERFACE/PROTOCOL (0-10V, ELV, DMX, WIRELESS) AND COULD WORK WITH EXISTING TWO-CHANNEL CONTROL SYSTEMS AS WELL.
- VISIT OCL.COM/BIOS FOR MORE INFORMATION

SPECIFICATIONS

CONSTRUCTION

- EXTRUDED AND MACHINED ALUMINUM BODY
- 3/16" THICK EXTRUDED VIRGIN WHITE ACRYLIC
- HANGING SYSTEMS USE STEEL OR ALUMINUM CANOPIES
- HARDWARE IS ZINC PLATED OR STAINLESS STEEL

MOUNTING

- **SISA** MOUNT TO 4X4" OCTAGON OR 4" ROUND J-BOX (BY OTHER)

ELECTRICAL

- DIMMING ELECTRONIC DRIVER(S), COMES STANDARD WITH 0-10V DOWN TO 1%
- 0-10V DOWN TO 0.1% AND LUTRON ECOSYSTEM (LDE1) 1% ALSO AVAILABLE AS MODIFICATION (REQUIRES REMOTE DRIVERS)
- OCL PROPRIETARY LED ARRAYS USE NICHIA 757 DIODES
- LUMINAIRE CONNECTS TO BUILDING SUPPLY (120V-277V 50/60HZ) UNLESS DRIVERS ARE REMOTE

LISTING

- ETL LISTED TO UL 1598 FOR DRY LOCATIONS; DAMP LOCATION LISTED IS OPTION

WARRANTY

- 5 YEAR; ALL ELECTRICAL COMPONENTS RETAIN THE MANUFACTURER'S WARRANTY

SUSTAINABILITY

- **BIOS** LIGHTING CONTRIBUTES TOWARD THE CIRCADIAN LIGHTING DESIGN FEATURE 54 UNDER THE **WELL BUILDING STANDARD™ V1** AND FEATURE L03 UNDER THE **WELL BUILDING STANDARD V2**
- THIS PRODUCT MEETS THE MATERIAL RESTRICTIONS OF ARTICLE 4 OF THE **ROHS** DIRECTIVE (2011/65/EU), INCLUDING COMMISSION DELEGATED DIRECTIVE 2015/863

COMMON MODIFICATIONS

WE'RE BUILT FOR OUT-OF-THE-BOX THINKERS.

Nearly 50% of OCL fixtures we manufacture have some type of modification. Here is a list of common modifications we frequently produce. **Please contact the factory for modifications specific to your fixture or project.**

Need some help? Simply send your questions to us at OCL-Quotes@ocl.com

- BIOS, TUNABLE WHITE, WARM-DIM, & RGBW LIGHT SOURCES
- SPECIFIC LUMEN OUTPUT
- MODIFIED CLUSTERS OR CONFIGURATIONS / MULTI-DROP CANOPIES
- VARIOUS SHAPES, ARCS, AND CURVES FOR LINEAR PROFILES AND RINGS
- CEILING OR SURFACE MOUNTING
- LARGE SCALE MODIFICATIONS
- RAL, PANTONE, BRAND-SPECIFIC, RETIRED OCL COLOR, OR CUSTOM FINISHES



- EMERGENCY BATTERY BACKUP OR INVERTER OPTIONS
- REMOTE DRIVERS / EXTENDED DISTANCE REMOTE DRIVERS
- DIMMING TO 0.1% (DIM TO DARK)
- NON-STANDARD SIZES OR LENGTHS
- NON-STANDARD CANOPY, BODY AND/OR CORD COLORS
- SEISMIC AND/OR ANTI-SWAY SYSTEMS
- RIGID STEMS
- MODIFIED OVERALL HEIGHTS (LONGER OR SHORTER OAH)
- UPLIGHT ADDITIONS
- LASER ETCHING, ENGRAVING, AND CUTOUTS

The drawings and specifications and ideas, designs and arrangements represented on these drawings are and shall remain the property of The Original Cast Lighting (OCL Architectural Lighting) and no part thereof shall be copied, disclosed, to others or used in conjunction with any work or project other than the specified project for which they have been prepared and developed, without written consent of OCL. Visual contact with these plans or specifications shall constitute conclusive evidence of acceptance of these restrictions. All specifications and information subject to change without notice.