

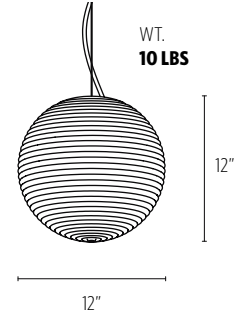


# Ribbed Glass™

PENDANT

**FEATURES**


- FEATURES A MOUTH-BLOWN, ETCHED OPAL WHITE GLASS DIFFUSER
- GLASS DIFFUSER HAS AN ELEGANT, HORIZONTALLY RIBBED PATTERN
- FIXTURE HAS A UNIQUE INTERNAL BALANCING SYSTEM; THE GLASS WILL ALWAYS HANG STRAIGHT
- 4 BRAIDED COLOR CORD CHOICES



**CATALOG CODES**

<b>RB1</b>	-	<b>B</b>	-	<b>12</b>	-	<b>WG</b>	-	<b>E</b>	-	<b>F</b>	-	<b>UNV</b>	-	<b>H</b>	-	<b>DM1</b>	-	<b>J</b>
SERIES		HANGING SYSTEM		SIZE		DIFFUSER		FINISH		LIGHT SOURCE		VOLTAGE		OAH		CONTROL		OPTIONS

**SPECIFY CATALOG CODE**

A		B		C	D	E		
SERIES		HANGING SYSTEM		SIZE	DIFFUSER	FINISH		
 <b>RB1</b> RIBBED GLASS	<b>MOUNTING TYPE</b> <b>P1FK</b> PENDANT WITH 5.75" SURFACE MOUNT CANOPY, SINGLE CENTER AIRCRAFT CABLE AND POWER CORD; MOUNTS TO 4X4 OCTAGON J-BOX (BY OTHERS); INTEGRAL DRIVERS;		<b>CORD COLOR</b> <b>S</b> SILVER BRAIDED POWER CORD <b>B</b> BLACK BRAIDED POWER CORD <b>W</b> WHITE BRAIDED POWER CORD <b>C</b> POLISHED COPPER BRAIDED POWER CORD		<b>12</b>	<b>WG</b> WHITE GLASS	<b>POWDER COAT FINISHES</b> <b>BKP</b> BLACK <b>MWP</b> MATTE WHITE <b>BMP</b> BRASS METALLIC <b>SGP</b> STEEL GRAY <b>BNP</b> BRONZE <b>SMP</b> SILVER METALLIC <b>BTP</b> BLACK TEXTURED <b>SWP</b> SKY WHITE <b>GRP</b> GRAPHITE <b>WTP</b> WHITE TEXTURED <b>GLP</b> GOLDTASTIC  <b>PREMIUM METAL FINISHES</b> <b>BAL</b> BRUSHED ALUMINUM	
	<b>P1FB</b> PENDANT WITH FLAT CANOPY, SINGLE CENTER AIRCRAFT CABLE AND POWER CORD; MOUNTS TO OCL RECESSED J-BOX (PROVIDED BY OCL)							
F			G	H	I	J		
LIGHT SOURCE			VOLTAGE	OAH*	CONTROL	OPTIONS		
<b>LED OUTPUT</b> <b>LED1</b> <b>LED2</b>	<b>COLOR TEMP</b> (80+ CRI) <b>27K</b> <b>30K</b> <b>35K</b> <b>40K</b>	<b>COLOR TEMP</b> (90+ CRI) <b>927K</b> <b>930K</b> <b>935K</b> <b>940K</b>	<b>UNV 120-277</b>	<b>48</b> <b>100</b> <b>144</b>	<b>DM1</b> 0-10V DIMMING 1%	<b>ULD</b> DAMP LABEL <b>MOD</b> MODIFIED LUMINAIRE (CONTACT LOCAL REP)		

SAMPLE CODE: RB1-P1FK-12-WG-WTP-LED1/27K-UNV-48-DM1

\*Fixture will ship with one of three standard OAH's (48", 100" or 144") field adjustable to the desired height.

**MODS, NOTES, & COMMENTS**

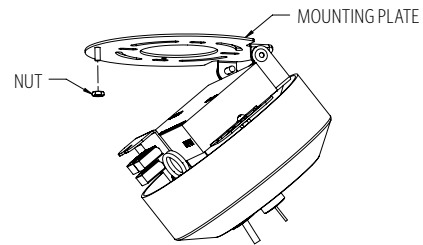
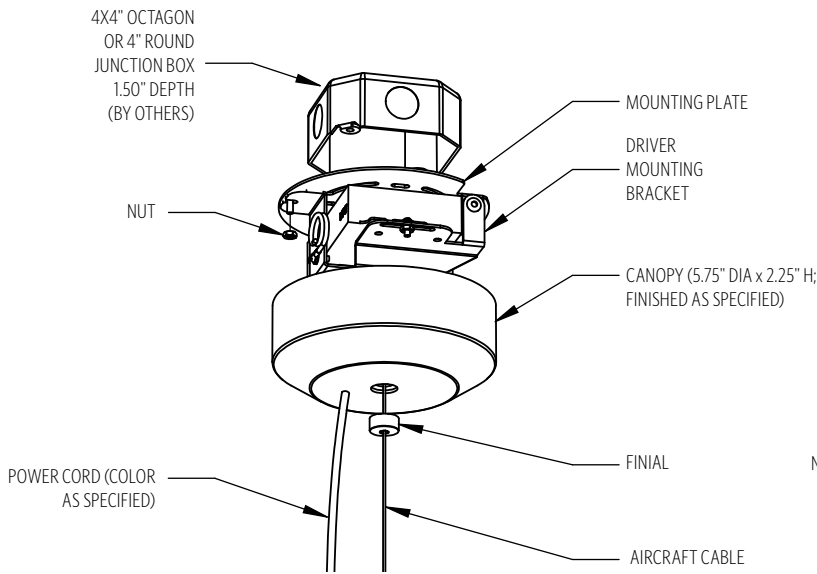
UP TO **50** LM/W

LUMENS AND WATTAGE CHART		SIZE
		12"
<b>LED1</b>	LUMENS DELIVERED	750
	SYSTEM WATTAGE	15
<b>LED2</b>	LUMENS DELIVERED	1250
	SYSTEM WATTAGE	25

This chart was created for a 35K color temp. Multiply by 0.95 for 27k color temp, 0.97 for 30k color temp, and 1.03 for 40k color temp.

## HANGING SYSTEM

**PIFK** PENDANT WITH 5.75" SURFACE MOUNT CANOPY, SINGLE CENTER AIRCRAFT CABLE AND POWER CORD; MOUNTS TO 4X4 OCTAGON J-BOX (BY OTHERS); INTEGRAL DRIVER

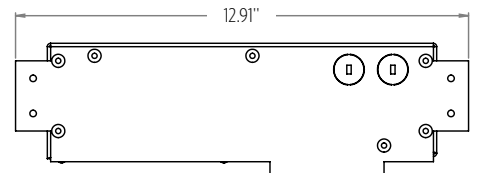
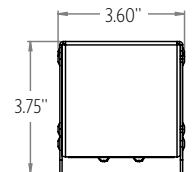
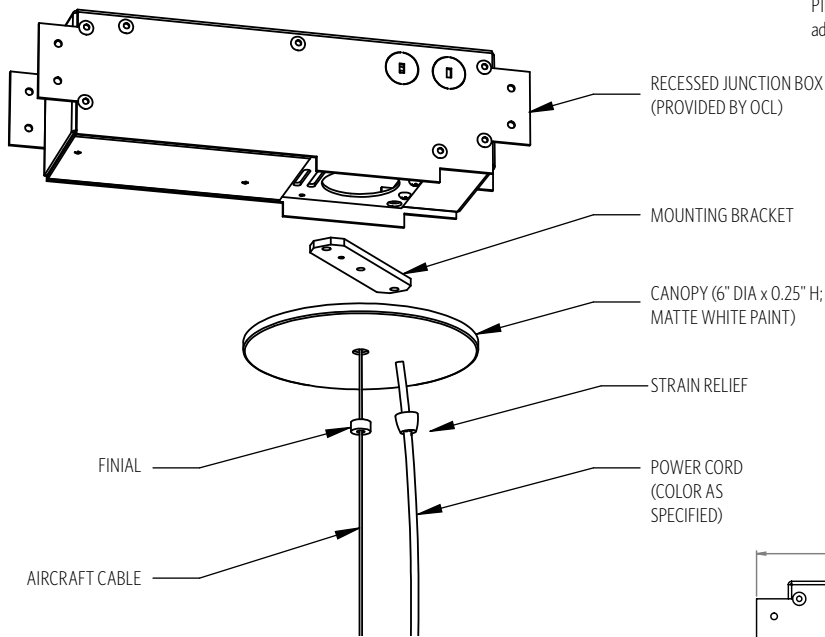


### MOUNTING INFORMATION CHART

SERIES	LUMINAIRE DIAMETER	LUMINAIRE WEIGHT	MIN/MAX OAH
RB1	12"	10 LBS	17/144"

PIFK ships with one of three OAH's (48", 100" or 144") and is field adjustable to the desired height.

**PIFB** PENDANT WITH FLAT CANOPY, SINGLE CENTER AIRCRAFT CABLE AND POWER CORD; MOUNTS TO OCL RECESSED J-BOX (PROVIDED BY OCL)



**PROFILE VIEW**  
RECESSED JUNCTION BOX

### MOUNTING INFORMATION CHART

SERIES	LUMINAIRE DIAMETER	LUMINAIRE WEIGHT	MIN/MAX OAH
RB1	12"	10 LBS	15/144"

PIFB ships with one of three OAH's (48", 100" or 144") and is field adjustable to the desired height.

**DIFFUSER**



**WG** WHITE GLASS

**FINISH**

**METALLIC POWDER COAT FINISHES:**



**SMP**  
SILVER



**GRP**  
GRAPHITE



**SGP**  
STEEL GRAY



**GLP**  
GOLDTASTIC



**BMP**  
BRASS



**BNP**  
BRONZE

**PREMIUM METAL FINISHES:**



**BAL**  
BRUSHED  
ALUMINUM

**SOLID POWDER COAT FINISHES:**



**SWP**  
SKY WHITE



**MWP**  
MATTE  
WHITE



**BKP**  
BLACK

**TEXTURED POWDER COAT FINISHES:**



**BTP**  
BLACK  
TEXTURED



**WTP**  
WHITE  
TEXTURED

**RAL, Pantone or custom finishes are also available.**

These colors are for reference only. Please be aware that colors may vary per monitor. Contact your local rep for finish samples or with any questions.

**CORD COLOR OPTIONS**



**S**  
SILVER  
BRAIDED  
POWER  
CORD



**B**  
BLACK  
BRAIDED  
POWER  
CORD



**W**  
WHITE  
BRAIDED  
POWER  
CORD



**C**  
POLISHED  
COPPER  
BRAIDED  
POWER  
CORD

**LIGHT SOURCE**

LUMENS AND WATTAGE CHART		SIZE
		12"
<b>LED1</b>	LUMENS DELIVERED	750
	SYSTEM WATTAGE	15
<b>LED2</b>	LUMENS DELIVERED	1250
	SYSTEM WATTAGE	25

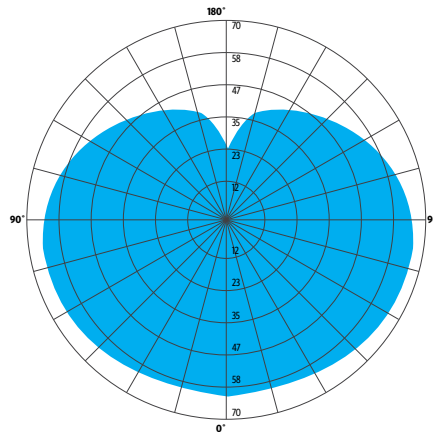
This chart was created for a 35K color temp. Multiply by 0.95 for 27k color temp, 0.97 for 30k color temp, and 1.03 for 40k color temp.

STANDARD COLOR TEMPERATURE OPTIONS	CRI (RA)	
2700K	80+	90+
3000K	80+	90+
3500K	80+	90+
4000K	80+	90+

ZONE	LUMENS	% OF LUMINAIRE
0-30	52	7%
0-60	198	12%
0-90	403	54%
90-180	338	46%
0-180	741	100%

**PHOTOMETRY:**

LUMINAIRE: RB1-PIEP-12 LED1  
 COLOR TEMP #: 3500K  
 EFFICACY: 50 LM/W  
 TEST REPORT: TEST NO. 20014



**CONTROL**

**DM1 0-10V DIMMING 1%**

- 0-10V DIMMING
- 1% MINIMUM DIM LEVEL
- ELECTRONIC DRIVER
- POWER FACTOR >0.9
- THD <20%
- MINIMUM AMBIENT OPERATING TEMPERATURE -22°F
- FIELD REPLACEABLE

## OPTIONS

### ULD DAMP LABEL LUMINAIRE

- MAY BE USED IN A OUTDOOR AREA THAT IS PROTECTED FROM DIRECT CONTACT WITH WIND, RAIN, SNOW OR EXCESSIVE MOISTURE

### MOD MODIFIED LUMINAIRE

- LUMINAIRE IS MODIFIED FROM STANDARD OPTIONS. CONTACT LOCAL REP FOR MORE INFORMATION

## SPECIFICATIONS

### CONSTRUCTION

- FIXTURE IS SPUN, EXTRUDED, AND MACHINED ALUMINUM
- HAND-BLOWN, OPAL WHITE GLASS™
- HANGING SYSTEMS USE STEEL, ALUMINUM, OR BRASS CANOPIES
- HARDWARE IS ZINC PLATED OR STAINLESS STEEL

### MOUNTING

- P1FK MOUNTS TO 4X4" OCTAGON OR 4" ROUND J-BOX (BY OTHER)
- P1FB MOUNTS TO OCL PROPRIETARY RECESSED J-BOX (PROVIDED BY OCL)

### ELECTRICAL

- DIMMING ELECTRONIC DRIVER(S), COMES STANDARD WITH 0-10V DOWN TO 1%
- 0-10V DOWN TO 0.1% AND LUTRON ECOSYSTEM (LDEI) 1% ALSO AVAILABLE AS MODIFICATION (REQUIRES REMOTE DRIVERS)
- BRIDGELUX COB
- LUMINAIRE CONNECTS TO BUILDING SUPPLY (120V-277V 50/60HZ)!

### LISTING

- ETL LISTED TO UL 1598 FOR DRY LOCATIONS, DAMP LOCATION LISTED IS OPTION

### WARRANTY

- 5 YEAR; ALL ELECTRICAL COMPONENTS RETAIN THE MANUFACTURER'S WARRANTY

The drawings and specifications and ideas, designs and arrangements represented on these drawings are and shall remain the property of The Original Cast Lighting (OCL Architectural Lighting) and no part thereof shall be copied, disclosed, to others or used in conjunction with any work or project other than the specified project for which they have been prepared and developed, without written consent of OCL. Visual contact with these plans or specifications shall constitute conclusive evidence of acceptance of these restrictions. All specifications and information subject to change without notice.