



# Odyssey™

PENDANT

**FEATURES**

- AVAILABLE IN 80+ CRI AND 90+ CRI (R9>50)
- SIMPLE, UNDERSTATED APPEARANCE MAKES THE ODYSSEY WELL SUITED FOR A VARIETY OF COMMERCIAL APPLICATIONS
- INJECTION MOLDED PRISMATIC ACRYLIC DIFFUSER
- SUSPENDED BY A STAINLESS STEEL AIRCRAFT CABLE
- FITTER IS SPUN FROM SOLID, NON-FERROUS 0.064" THICK ALUMINUM



**CATALOG CODES**

<b>OD1</b>	-	<b>P1EA</b>	-	<b>C</b>	-	<b>D</b>	-	<b>E</b>	-	<b>F</b>	-	<b>UNV</b>	-	<b>H</b>	-	<b>DM1</b>	-	<b>J</b>
SERIES		HANGING SYSTEM		SIZE		DIFFUSER		FINISH		LIGHT SOURCE		VOLTAGE		OAH		CONTROL		OPTIONS

SPECIFY CATALOG CODE		A	B	C	D	E
		SERIES	HANGING SYSTEM	SIZE	DIFFUSER	FINISH
	<b>OD1</b> ODYSSEY	<b>P1EA</b>	PENDANT WITH A SINGLE CENTER AIRCRAFT CABLE AND POWER CORD	<b>12</b>	<b>CL</b> CLEAR PRISMATIC ACRYLIC	<b>POWDER COAT FINISHES</b> <b>BKP</b> BLACK <b>MWP</b> MATTE WHITE <b>BMP</b> BRASS METALLIC <b>SGP</b> STEEL GRAY <b>BNP</b> BRONZE <b>SMP</b> SILVER METALLIC <b>BTP</b> BLACK TEXTURED <b>SWP</b> SKY WHITE <b>GRP</b> GRAPHITE <b>WTP</b> WHITE TEXTURED <b>GLP</b> GOLDTASTIC
				<b>16</b>	<b>FR</b> FROSTED PRISMATIC ACRYLIC	

F		G		H	I	J
LIGHT SOURCE		VOLTAGE		OAH**	CONTROL	OPTIONS
<b>LED OUTPUT</b>	<b>COLOR TEMP</b>	<b>COLOR TEMP</b>	<b>UNV</b>	<b>48</b>	<b>DM1</b>	<b>ULD</b> UL DAMP LABEL <b>BIOS</b> BIOS SKYBLUE™ OR BIOS SKYBLUE™ DYNAMIC LIGHT ENGINE** <b>MOD</b> MODIFIED LUMINAIRE (CONTACT LOCAL REP)
<b>LED1</b>	(80+ CRI) <b>27K</b>	(90+ CRI) <b>927K</b>	<b>120-277</b>	<b>100</b>	0-10V DIMMING 1%	
<b>LED2</b>	<b>30K</b>	<b>930K</b>		<b>144</b>		
	<b>35K</b>	<b>935K</b>				
	<b>40K</b>	<b>940K</b>				

**SAMPLE CODE: OD1-P1EA-12-CL-SWP-LED1/27K-UNV-34-DM1**

\*Ships with one of three OAH's (48", 100" or 144") and is field adjustable to the desired height  
 Fixtures with P1EA hanging system, canopy will be MWP unless specified.

UP TO **94** LM/W

LUMENS AND WATTAGE CHART		SIZE	
		12"	16"
<b>LED1</b>	LUMENS DELIVERED	1750	1750
	SYSTEM WATTAGE	20	20
<b>LED2</b>	LUMENS DELIVERED	2350	2350
	SYSTEM WATTAGE	25	25

This chart was created for a 35K color temp. Multiply by 0.95 for 27k color temp, 0.97 for 30k color temp, and 1.03 for 40k color temp.  
 Values shown for 80+ CRI. For 90+ CRI lumens use 0.85 multiplier.

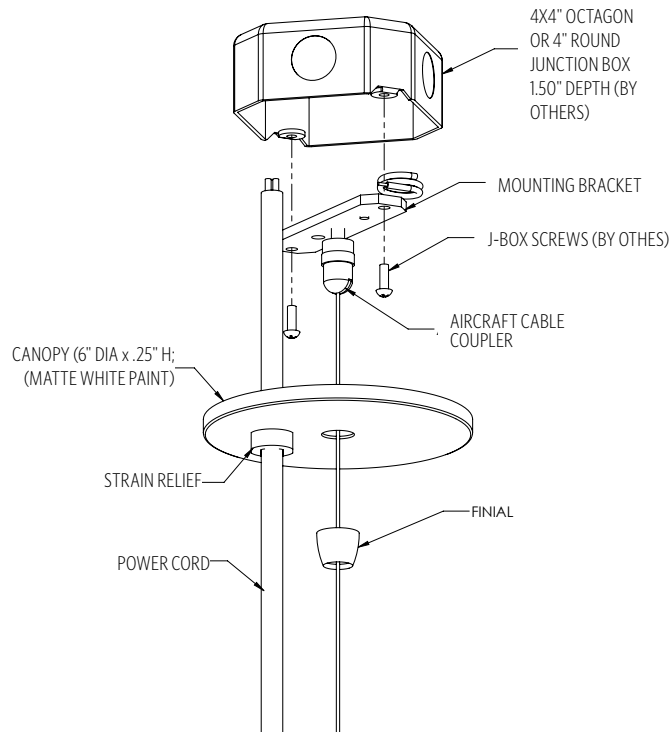


This product meets the material restrictions of Article 4 of the RoHS Directive (2011/65/EU), including Commission Delegated Directive 2015/863

**MODS, NOTES, & COMMENTS**

## HANGING SYSTEM

**PIEA** PENDANT WITH A SINGLE CENTER AIRCRAFT CABLE AND POWER CORD



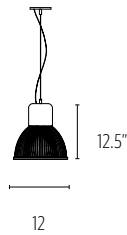
### MOUNTING INFORMATION CHART

LUMINAIRE DIAMETER	LUMINAIRE WEIGHT	MIN/MAX OAH
12"	9 LBS	16"/144"
16"	17 LBS	22"/144"

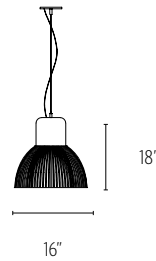
Ships with one of three OAH's (48", 100" or 144") and is field adjustable to the desired height

Fixtures with PIEA hanging system, canopy will be MWP unless specified.

## SIZES



FIXTURE WEIGHT **9 LBS**



FIXTURE WEIGHT **17 LBS**

## DIFFUSER

### Finishes:



**CL** CLEAR PRISMATIC ACRYLIC



**FR** FROSTED PRISMATIC ACRYLIC

## FINISH

### METALLIC POWDER COAT FINISHES:



**SMP**  
SILVER



**GRP**  
GRAPHITE



**SGP**  
STEEL GRAY



**GLP**  
GOLDTASTIC



**BMP**  
BRASS



**BNP**  
BRONZE

### SOLID POWDER COAT FINISHES:



**SWP**  
SKY WHITE



**MWP**  
MATTE WHITE



**BKP**  
BLACK

### TEXTURED POWDER COAT FINISHES:



**BTP**  
BLACK  
TEXTURED



**WTP**  
WHITE  
TEXTURED

**RAL®, Pantone® or custom finishes are also available.**

These colors are for reference only. Please be aware that colors may vary per monitor. Contact your local rep for finish samples or with any questions.

## LIGHT SOURCE

LUMENS AND WATTAGE CHART		SIZE	
		12"	16"
LED1	LUMENS DELIVERED	1750	1750
	SYSTEM WATTAGE	20	20
LED2	LUMENS DELIVERED	2350	2350
	SYSTEM WATTAGE	25	25

This chart was created for a 35K color temp. Multiply by 0.95 for 27k color temp, 0.97 for 30k color temp, and 1.03 for 40k color temp.

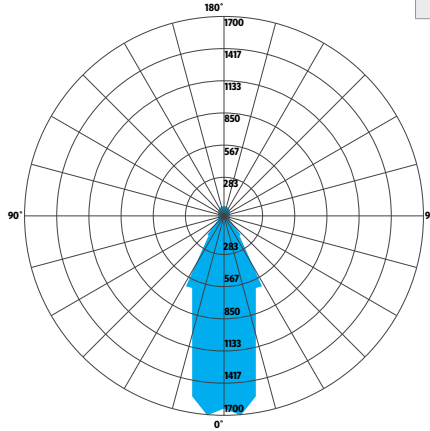
Values shown for 80+ CRI. For 90+ CRI lumens use 0.85 multiplier.

STANDARD COLOR TEMPERATURE OPTIONS	CRI (RA)	
	2700K	80+
3000K	80+	90+
3500K	80+	90+
4000K	80+	90+

ZONE	LUMENS	% OF LUMINAIRE
0-30	775	45%
0-60	1255	72%
0-90	1424	82%
90-180	321	18%
0-180	1744	100%

### PHOTOMETRY:

LUMINAIRE: ODI-PIEA-12 LED1  
 COLOR TEMP #: 3500K  
 EFFICACY: 94 LM/W  
 TEST REPORT: TEST NO. 20532



## CONTROL

### DM1 0-10V DIMMING 1%

- 0-10V DIMMING PROTOCOL
- 1% MINIMUM DIM LEVEL
- ELECTRONIC DRIVER
- POWER FACTOR >0.9
- THD <20%
- MINIMUM AMBIENT OPERATING TEMPERATURE -31°F
- LINEAR DIMMING CURVE
- FIELD REPLACEABLE

## OPTIONS

### ULD DAMP LABEL LUMINAIRE

- MAY BE USED IN AN OUTDOOR AREA THAT IS PROTECTED FROM DIRECT CONTACT WITH WIND, RAIN, SNOW OR EXCESSIVE MOISTURE

### MOD MODIFIED LUMINAIRE

- LUMINAIRE IS MODIFIED FROM STANDARD OPTIONS; CONTACT LOCAL REP FOR MORE INFORMATION

### BIOS

- BIOS SKYBLUE™ DYNAMIC** LIGHT ENGINE IS DIMMABLE AND FEATURES A SIMPLE APPROACH TO CIRCADIAN LIGHTING CONTROLS.
- WHEN PAIRED WITH THE BIOS BIO-DIMMING MODULE, IT OPERATES USING ANY SINGLE CHANNEL CONSTANT CURRENT (CC) LED DRIVER AND CAN BE USED WITH ANY STANDARD DIMMING INTERFACE/PROTOCOL (0-10V, ELV, DMX, WIRELESS) AND COULD WORK WITH EXISTING TWO-CHANNEL CONTROL SYSTEMS AS WELL.
- VISIT [OCL.COM/BIOS](http://OCL.COM/BIOS) FOR MORE INFORMATION

## SPECIFICATIONS

### CONSTRUCTION

- HOUSING IS DIE-CAST ALUMINUM
- DIFFUSER IS INJECTION-MOLDED PRISMATIC ACRYLIC
- CANOPY IS SPUN ALUMINUM
- HARDWARE IS ZINC PLATED OR STAINLESS STEEL

### MOUNTING

- PIEA MOUNTS TO 4X4" OCTAGON OR 4" ROUND J-BOX (BY OTHER)

### ELECTRICAL

- DIMMING ELECTRONIC DRIVER(S) COMES STANDARD WITH 0-10V DOWN TO 1%
- BRIDGELUX COB
- 80+ CRI = 80 RA, R9 > 0 (10-15 TYP.)
- 90+ CRI = 90 RA, R9 > 50
- FOR INTEGRAL DRIVERS:** LUMINAIRE CONNECTS TO BUILDING SUPPLY (120V-277V 50/60HZ)
- FOR REMOTE DRIVERS:** LUMINAIRE WIRE LEADS ARE LOW-VOLTAGE. THE WIRES SHOULD BE CONNECTED TO OCL PROVIDED REMOTE DRIVER ENCLOSURE ONLY!

### LISTING

- ETL LISTED TO UL 1598 FOR DRY LOCATIONS, DAMP LOCATION LISTED IS OPTION

### WARRANTY

- 5 YEAR; ALL ELECTRICAL COMPONENTS RETAIN THE MANUFACTURER'S WARRANTY

### SUSTAINABILITY

- THIS PRODUCT MEETS THE MATERIAL RESTRICTIONS OF ARTICLE 4 OF THE **ROHS** DIRECTIVE (2011/65/EU), INCLUDING COMMISSION DELEGATED DIRECTIVE 2015/863
- BIOS** LIGHTING CONTRIBUTES TOWARD THE CIRCADIAN LIGHTING DESIGN FEATURE 54 UNDER THE **WELL BUILDING STANDARD™ V1** AND FEATURE L03 UNDER THE **WELL BUILDING STANDARD V2**

## COMMON MODIFICATIONS

### WE'RE BUILT FOR OUT-OF-THE-BOX THINKERS.

Nearly 50% of OCL fixtures we manufacture have some type of modification. Here is a list of common modifications we frequently produce. **Please contact the factory for modifications specific to your fixture or project.**

Need some help? Simply send your questions to us at [OCL-Quotes@ocl.com](mailto:OCL-Quotes@ocl.com)

- BIOS, TUNABLE WHITE, WARM-DIM, & RGBW LIGHT SOURCES
- SPECIFIC LUMEN OUTPUT
- MODIFIED CLUSTERS OR CONFIGURATIONS / MULTI-DROP CANOPIES
- VARIOUS SHAPES, ARCS, AND CURVES FOR LINEAR PROFILES AND RINGS
- CEILING OR SURFACE MOUNTING
- LARGE SCALE MODIFICATIONS
- RAL, PANTONE, BRAND-SPECIFIC, RETIRED OCL COLOR, OR CUSTOM FINISHES



- EMERGENCY BATTERY BACKUP OR INVERTER OPTIONS
- REMOTE DRIVERS / EXTENDED DISTANCE REMOTE DRIVERS
- DIMMING TO 0.1% (DIM TO DARK)
- NON-STANDARD SIZES OR LENGTHS
- NON-STANDARD CANOPY, BODY AND/OR CORD COLORS
- SEISMIC AND/OR ANTI-SWAY SYSTEMS
- RIGID STEMS
- MODIFIED OVERALL HEIGHTS (LONGER OR SHORTER OAH)
- UPLIGHT ADDITIONS
- LASER ETCHING, ENGRAVING, AND CUTOUTS

The drawings and specifications and ideas, designs and arrangements represented on these drawings are and shall remain the property of The Original Cast Lighting (OCL Architectural Lighting) and no part thereof shall be copied, disclosed, to others or used in conjunction with any work or project other than the specified project for which they have been prepared and developed, without written consent of OCL. Visual contact with these plans or specifications shall constitute conclusive evidence of acceptance of these restrictions. All specifications and information subject to change without notice.