

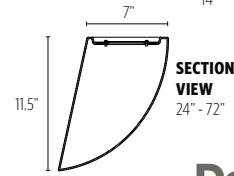
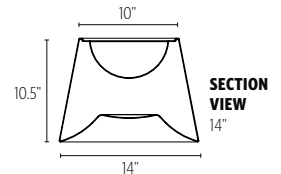


# Loop™

PENDANT / CEILING

**FEATURES**

- AVAILABLE IN 80+ CRI AND 90+ CRI (R9>50)
- MOLDED SINGLE PIECE DIFFUSER WITH NO VISIBLE SEAMS
- UNIQUE TAPERED DRUM DIFFUSER WITH OPEN CENTER (EXCEPT ON 14" SIZE)
- OPTIONAL OUTER METAL SHADE FOR DIRECTED DOWNLIGHT
- EXCEPTIONAL PERFORMANCE WITH UP TO 117 L/W DELIVERED
- FIELD REPLACEABLE LED ARRAYS AND INTEGRAL DRIVER(S)
- 3 STEP BINNING




**Declare.**



**CATALOG CODES**

A	B	C	MW	E	F	UNV	H	I	J
SERIES	HANGING SYSTEM	SIZE	DIFFUSER	FINISH	LIGHT SOURCE	VOLTAGE	OAH	CONTROL	OPTIONS

**SPECIFY CATALOG CODE**

A	B	C	D	E
SERIES	HANGING SYSTEM*	SIZE	DIFFUSER	FINISH
 <b>L01</b> LOOP	<b>PIEC</b> PENDANT WITH 3 ANGLED AIRCRAFT CABLES AND A WHITE POWER CORD TO CANOPY  <b>PIEM</b> PENDANT WITH 4 VERTICAL AIRCRAFT CABLES TO 4 SEPARATE MOUNTING POINTS & POWER CORD TO CANOPY  <b>C1NA</b> SURFACE CEILING MOUNT (14" AND 24" ONLY)	14	<b>MW</b> MATTE WHITE	<b>POWDER COAT FINISHES</b> <b>BKP</b> BLACK <b>BMP</b> BRASS METALLIC <b>BNP</b> BRONZE <b>BTP</b> BLACK TEXTURED <b>GRP</b> GRAPHITE <b>GLP</b> GOLDTASTIC  <b>PREMIUM METAL FINISHES</b> <b>BAL</b> BRUSHED ALUMINUM (FOR <b>L01</b> SERIES WITH <b>PIEC</b> MOUNTING ONLY)  <b>NFA</b> NO FINISH AVAILABLE (FOR <b>L01</b> SERIES WITH <b>PIEM</b> & <b>C1NA</b> MOUNTING)
		24		
		36		
		48		
		72		

F			G	H	I	J
LIGHT SOURCE			VOLTAGE	OAH*	CONTROL	OPTIONS
<b>LED OUTPUT</b> <b>LED1</b> <b>LED2**</b>	<b>COLOR TEMP</b> (80+ CRI) <b>27K</b> <b>30K</b> <b>35K</b> <b>40K</b>	<b>COLOR TEMP</b> (90+ CRI) <b>927K</b> <b>930K</b> <b>935K</b> <b>940K</b>	<b>UNV</b> 120-277	<b>48</b> <b>100</b> <b>144</b>  <b>NOTE:</b> LEAVE BLANK WITH <b>C1NA</b>	<b>DM1</b> 0-10V DIMMING 1% <b>DM3</b> LUTRON HI-LUME ECOSYSTEM 1% (LDE1)	<b>ULD</b> DAMP LABEL <b>BIOS</b> BIOS SKYBLUE™ OR BIOS SKYBLUE™ DYNAMIC LIGHT ENGINE*** <b>MOD</b> MODIFIED LUMINAIRE (CONTACT LOCAL REP)

**SAMPLE CODE: L01-PIEC-24-MW-NFA-LED1/27K-UNV-48-DM1**

\*For Minimum OAH, see hanging systems details. PIEM and PIEC will ship with one of three standard OAH's (48", 100" or 144") field adjustable to the desired height

\*\* LED2 unavailable for 14" size

\*\*\*Contact factory for **BIOS SkyBlue**® or **BIOS SkyBlue**® Dynamic light engine and control options.

UP TO **117** LM/W

**LUMENS AND WATTAGE CHART**

		14"	24"	36"	48"	72"
<b>LED1</b>	LUMENS DELIVERED	1430	3610	7590	10830	16180
	SYSTEM WATTAGE	15	30	65	95	140
<b>LED2</b>	LUMENS DELIVERED	-	4280	8590	12890	21540
	SYSTEM WATTAGE	-	35	75	110	185

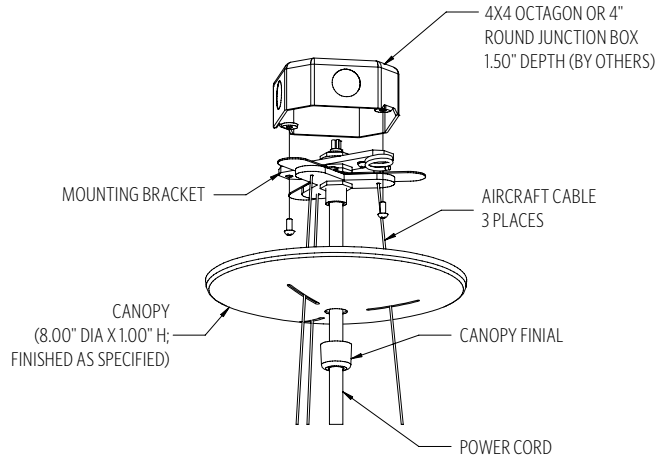
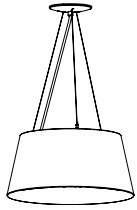
This chart was created for a 35K color temp. Multiply by 0.95 for 27k color temp, 0.97 for 30k color temp, and 1.03 for 40k color temp

Values shown for 80+ CRI. For 90+ CRI lumens use 0.85 multiplier.

**MODS, NOTES, & COMMENTS**

## HANGING SYSTEM

### PIEC PENDANT MOUNT - W/ ANGLED AIRCRAFT CABLES

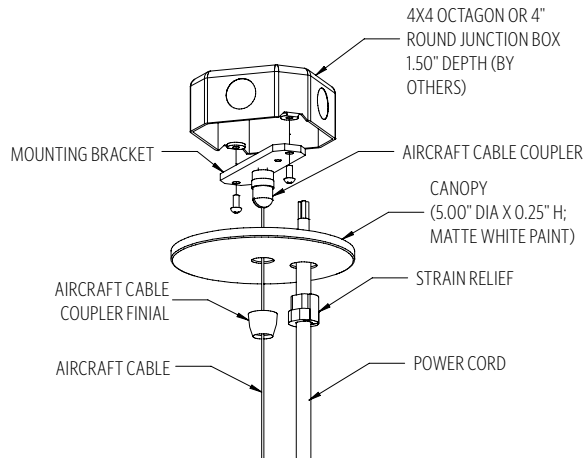
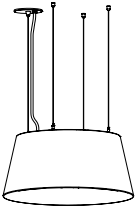


#### MOUNTING INFORMATION CHART

LUMINAIRE DIAMETER	LUMINAIRE WEIGHT	MOUNTING POINTS	MIN/MAX OAH
14"	10LBS	1	18"/144"
24"	15LBS	1	20"/144"
36"	20LBS	1	26"/144"
48"	35LBS	1	36"/144"
72"	45LBS	1	42"/144"

\* PIEM & PIEC ships with one of three standard OAH's (48", 100" or 144") field adjustable to the desired height.

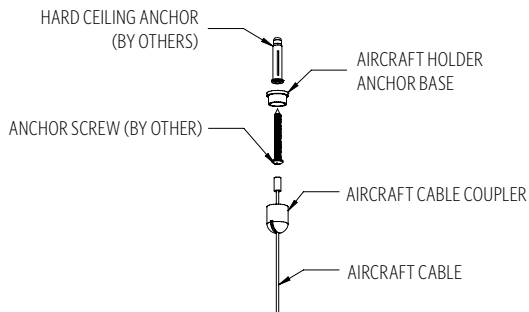
### PIEM PENDANT MOUNT - W/ STRAIGHT AIRCRAFT CABLES



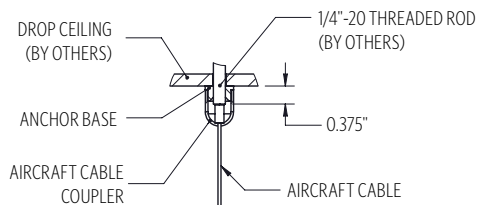
#### MOUNTING INFORMATION CHART

LUMINAIRE DIAMETER	LUMINAIRE WEIGHT	MOUNTING DISTANCE DIM A	MOUNTING CIRCLE DIM B	MOUNTING POINTS	MIN/MAX OAH
14"	10LBS	3.625"	7.25"	4	18"/144"
24"	15LBS	7.875"	15.75"	4	18"/144"
36"	20LBS	14.375"	28.75"	4	18"/144"
48"	35LBS	20.375"	40.75"	4	18"/144"
72"	45LBS	32.375"	64.75"	4	18"/144"

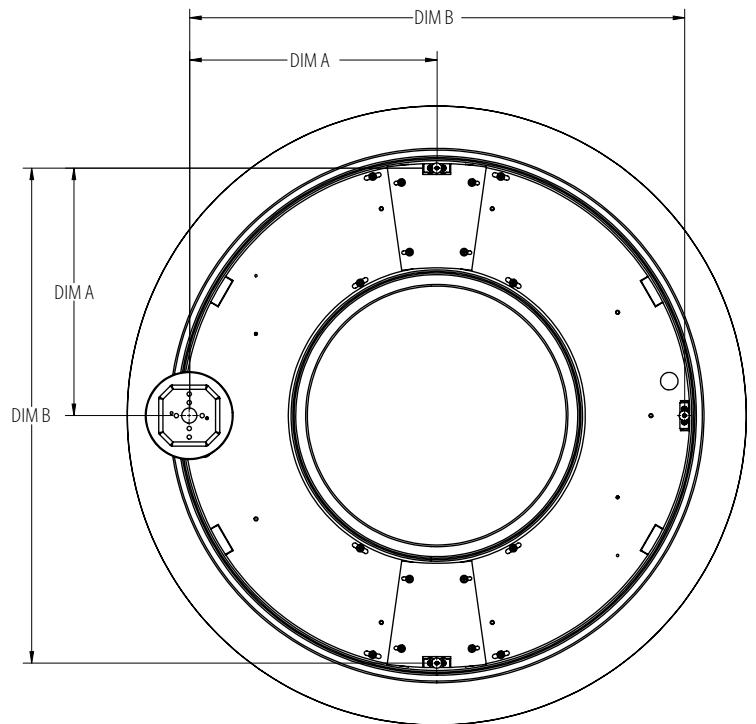
\* PIEM & PIEC ships with one of three standard OAH's (48", 100" or 144") field adjustable to the desired height.



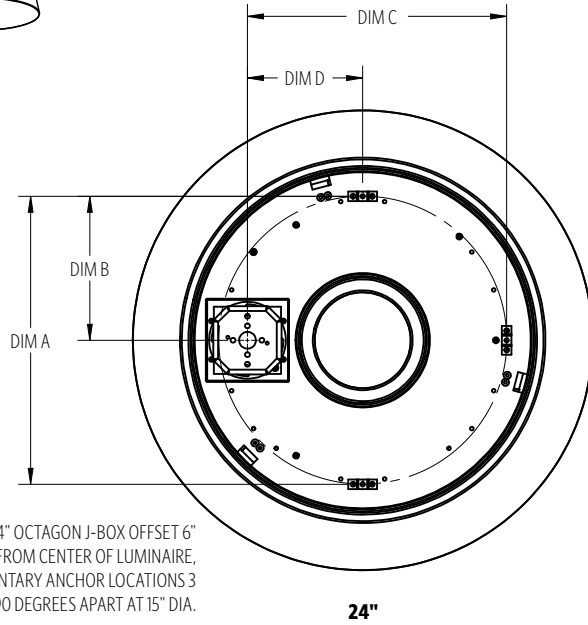
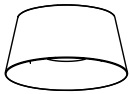
#### HARD CEILING



#### DROP CEILING

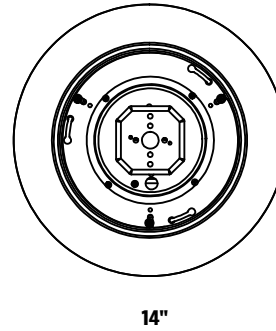


**CINA** SURFACE CEILING MOUNT (14" AND 24" ONLY)

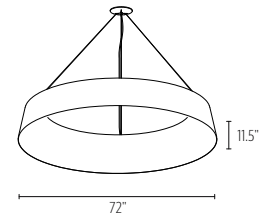
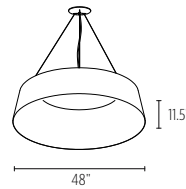
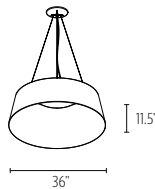
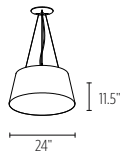


**MOUNTING INFORMATION CHART**

LUMINAIRE DIAMETER	LUMINAIRE WEIGHT	MOUNTING DISTANCE DIM A	MOUNTING DISTANCE DIM B	MOUNTING DISTANCE DIM C	MOUNTING DISTANCE DIM D	MOUNTING POINTS
14"	10LBS	-	-	-	-	1
24"	15LBS	15.00"	7.5"	13.5"	6"	4



**SIZES**



**DIFFUSER**



**RAL®, Pantone® or custom finishes are also available.**

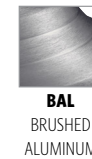
These colors are for reference only. Please be aware that colors may vary per monitor. Contact your local rep for finish samples or with any questions.

**FINISH**

**METALLIC POWDER COAT FINISHES:**



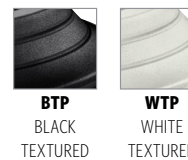
**PREMIUM METAL FINISHES:**



**SOLID POWDER COAT FINISHES:**



**TEXTURED POWDER COAT FINISHES:**



## LIGHT SOURCE

### LUMENS AND WATTAGE CHART

		14"	24"	36"	48"	72"
<b>LED1</b>	LUMENS DELIVERED	1430	3610	7590	10830	16180
	SYSTEM WATTAGE	15	30	65	95	140
<b>LED2</b>	LUMENS DELIVERED	-	4280	8590	12890	21540
	SYSTEM WATTAGE	-	35	75	110	185

This chart was created for a 35K color temp. Multiply by 0.95 for 27k color temp, 0.97 for 30k color temp, and 1.03 for 40k color temp

Values shown for 80+ CRI. For 90+ CRI lumens use 0.85 multiplier.

STANDARD COLOR TEMPERATURE OPTIONS	CRI (RA)	
2700K	80+	90+
3000K	80+	90+
3500K	80+	90+
4000K	80+	90+

### LUMEN MAINTENANCE

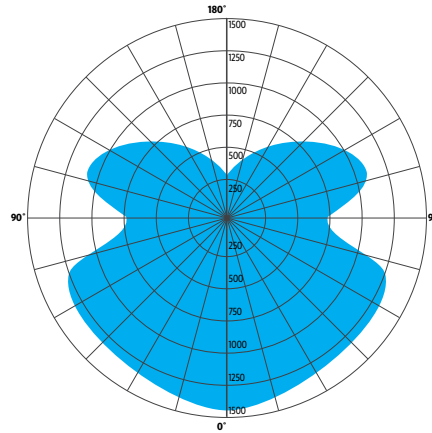
REPORTED:	L70 AT >60,000 HRS
CALCULATED:	L70 AT 182,000 HRS
REPORTED:	L90 AT 53,000 HRS
CALCULATED:	L90 AT 53,000 HRS

Derived from EPA TM-21 calculator. Based on typical conditions. Consult the factory for additional details.

### PHOTOMETRY:

FIXTURE:	L01-P1XX-48-MW-LED2/35K-UNV-XS-DM1
COLOR TEMP #:	3500K
OUTPUT:	12890
EFFICACY:	117 LM/W
TEST REPORT:	TEST NO. 17375.0

For all available IES files, please visit our website at [ocl.com](http://ocl.com).



ZONE	LUMENS	% OF LUMINAIRE
0-30	1132	9%
0-60	4164	32%
0-90	7476	58%
90-180	5416	42%

Polar graph and zonal lumens for L01 & L02 pending

## CONTROL

### DM1 0-10V DIMMING DOWN TO 1%

- 0-10V DIMMING
- 1% MINIMUM DIMMING LEVEL
- ELECTRONIC DRIVER
- POWER FACTOR >0.9
- THD <20%
- MIN AMBIENT OPERATING TEMPERATURE = -40°F
- FIELD REPLACEABLE

### DM3 LUTRON HI-LUME ECOSYSTEM 1% (LDE1)

- LUTRON DIGITAL ECOSYSTEM DIMMING
- 1% MINIMUM DIMMING LEVEL
- SOFT-ON / FADE-TO-BLACK
- ELECTRONIC DRIVER
- POWER FACTOR >0.9 @ 120V
- THD <23% @ 120V
- MIN AMBIENT OPERATING TEMPERATURE = 32°F
- FIELD REPLACEABLE

## OPTIONS

### MOD MODIFIED LUMINAIRE

- LUMINAIRE IS MODIFIED FROM STANDARD OPTIONS. CONTACT LOCAL REP FOR MORE INFORMATION

### ULD DAMP LABEL LUMINAIRE

- MAY BE USED IN A OUTDOOR AREA THAT IS PROTECTED FROM DIRECT CONTACT WITH WIND, RAIN, SNOW OR EXCESSIVE MOISTURE

### BIOS

- BIOS SKYBLUE™ DYNAMIC** LIGHT ENGINE IS DIMMABLE AND FEATURES A SIMPLE APPROACH TO CIRCADIAN LIGHTING CONTROLS.
- WHEN PAIRED WITH THE BIOS BIO-DIMMING MODULE, IT OPERATES USING ANY SINGLE CHANNEL CONSTANT CURRENT (CC) LED DRIVER AND CAN BE USED WITH ANY STANDARD DIMMING INTERFACE/PROTOCOL (0-10V, ELV, DMX, WIRELESS) AND COULD WORK WITH EXISTING TWO-CHANNEL CONTROL SYSTEMS AS WELL.
- VISIT [OCL.COM/BIOS](http://OCL.COM/BIOS) FOR MORE INFORMATION

## SPECIFICATIONS

### CONSTRUCTION

- ALUMINUM AND STEEL CONSTRUCTION WITH A SEAMLESS ONE PIECE MOLDED DIFFUSER
- HANGING SYSTEMS USE STEEL OR ALUMINUM CANOPIES WITH AIRCRAFT CABLE SUPPORTS
- HARDWARE IS STEEL OR STAINLESS STEEL

### ELECTRICAL

- DIMMING ELECTRONIC DRIVER(S), COMES STANDARD WITH 0-10V DOWN TO 1%. OPTIONAL LUTRON ECOSYSTEM DRIVERS
- OCL PROPRIETARY LED ARRAYS USE NICHIA 757 DIODES
- 80+ CRI = 80 RA, R9 > 0 (10-15 TYP.)
- 90+ CRI = 90 RA, R9 > 50
- LUMINAIRE CONNECTS TO STANDARD BUILDING SUPPLY (120V - 277V, 50/60HZ) UNLESS DRIVER IS REMOTE

### LIGHT OUTPUT

- LUMINAIRE PROVIDES APPROXIMATELY 58% DIRECT, 42% INDIRECT ILLUMINATION (LOI)

### LISTING

- ETL LISTED TO UL1598 FOR INDOOR, DRY LOCATION (DAMP LOCATION OPTIONAL)

### WARRANTY

- 5 YEAR; ALL ELECTRICAL COMPONENTS RETAIN THE MANUFACTURER'S WARRANTY

### SUSTAINABILITY

- DECLARE:** DECLARE IS AN INGREDIENT LABEL DISCLOSURE FOR BUILDING PRODUCTS THAT IS DESIGNED TO HELP SPECIFIERS QUICKLY IDENTIFY PRODUCTS THAT SUPPORT HUMAN AND ENVIRONMENTAL HEALTH. LEARN MORE AT [OCL.COM/DECLARE](https://www.ocl.com/declare)
- THIS PRODUCT MEETS THE MATERIAL RESTRICTIONS OF ARTICLE 4 OF THE **ROHS** DIRECTIVE (2011/65/EU), INCLUDING COMMISSION DELEGATED DIRECTIVE 2015/863
- BIOS** LIGHTING CONTRIBUTES TOWARD THE CIRCADIAN LIGHTING DESIGN FEATURE 54 UNDER THE **WELL BUILDING STANDARD™ V1** AND FEATURE L03 UNDER THE **WELL BUILDING STANDARD V2**

## DECLARE

**Declare.**

**Glowring, Loop**  
OCL Architectural Lighting

**Final Assembly:** St. Louis, Missouri, USA  
**Life Expectancy:** 10 Year(3)  
**End of Life Options:** Recyclable (93), Landfill (7)

**Ingredients:**  
Aluminum; Polyethylene Terephthalate; Small Electrical Component<sup>1</sup>; Brass; Hexene, polymer with ethene; Steel manufacture; chemicals; Steel Iron; Poly(mino(1,6-dioxo-1,6-hexanedyl)imino-1,6-hexanedyl); Zinc; Copper; Cobalt; metal powder; Octadecanamide, N,N'-1,2-ethanediybis-; Stearic Acid; Benzeneamine, 4-(1-methyl-1-phenylethyl)-N-(4-(1-methyl-1-phenylethyl)phenyl)-; Benzenepropanoic acid, 3,5-bis(1-(dimethylethyl)-4-hydroxy-, octadecyl ester; Titanium dioxide; Nickel (Metallic); Unnamed Substance; Silicon; Tin; Organic; Chromium, metallic; Magnesium; Titanium; Water

<sup>1</sup>LBC Temp Exception RL-002 - Small Electrical Components

**Living Building Challenge Criteria:**

**I-13 Red List:**  
 LBC Red List Free      % Disclosed: 100% at 100ppm  
 LBC Red List Approved      VOC Content: Not Applicable  
 Declared

**I-10 Interior Performance:** Not Compliant  
**I-14 Responsible Sourcing:** Not Applicable

OCL-0004  
 EXP. 01 OCT. 2024  
 Original Issue Date: 2023

Third Party Verified

INTERNATIONAL LIVING FUTURE INSTITUTE™ [livingfuture.org/declare](https://www.livingfuture.org/declare)

**Final assembly location**  
Where was the product made?

**Chemical ingredients**  
What is in this product?

**Red List compliance**  
Are there Red List ingredients in this product?

**Life expectancy + end of life options**  
How long will this product last + what do you do with it when you're done with it?

**VOC info**  
Does this product off-gas?

### DECLARE: PRODUCT TRANSPARENCY IN MANUFACTURING

Declare is the only label that combines material transparency and the Red List. It distills complex chemical ingredient information into an easy to read label. Declare helps specifiers find Red List Free products, which are healthy for people, the environment, and communities.

A product's compliance with the LBC Red List is represented on the Declare® label by the product's Declaration Status. There are three Declaration Statuses:

- DECLARED (RLD)** products disclose 100% of ingredients present in the final product, but contain one or more Red List chemicals that are not covered by an approved exception.
- LBC RED LIST APPROVED (RLA)** products disclose a minimum of 99% of ingredients present in the final product and meet the LBC Red List Imperative requirements through one or more approved exceptions.
- LBC RED LIST FREE (RLF)** products disclose 100% of ingredients present at or above 100 ppm (0.01%) in the final product and do not contain any Red List chemicals.

Need more information? Visit [ocl.com/declare](https://www.ocl.com/declare) to learn more..

## COMMON MODIFICATIONS

### WE'RE BUILT FOR OUT-OF-THE-BOX THINKERS.

Nearly 50% of OCL fixtures we manufacture have some type of modification. Here is a list of common modifications we frequently produce. **Please contact the factory for modifications specific to your fixture or project.**

Need some help? Simply send your questions to us at [OCL-Quotes@ocl.com](mailto:OCL-Quotes@ocl.com)

- BIOS, TUNABLE WHITE, WARM-DIM, & RGBW LIGHT SOURCES
- SPECIFIC LUMEN OUTPUT
- MODIFIED CLUSTERS OR CONFIGURATIONS / MULTI-DROP CANOPIES
- VARIOUS SHAPES, ARCS, AND CURVES FOR LINEAR PROFILES AND RINGS
- CEILING OR SURFACE MOUNTING
- LARGE SCALE MODIFICATIONS
- RAL, PANTONE, BRAND-SPECIFIC, RETIRED OCL COLOR, OR CUSTOM FINISHES



- EMERGENCY BATTERY BACKUP OR INVERTER OPTIONS
- REMOTE DRIVERS / EXTENDED DISTANCE REMOTE DRIVERS
- DIMMING TO 0.1% (DIM TO DARK)
- NON-STANDARD SIZES OR LENGTHS
- NON-STANDARD CANOPY, BODY AND/OR CORD COLORS
- SEISMIC AND/OR ANTI-SWAY SYSTEMS
- RIGID STEMS
- MODIFIED OVERALL HEIGHTS (LONGER OR SHORTER OAH)
- UPLIGHT ADDITIONS
- LASER ETCHING, ENGRAVING, AND CUTOUTS

The drawings and specifications and ideas, designs and arrangements represented on these drawings are and shall remain the property of The Original Cast Lighting (OCL Architectural Lighting) and no part thereof shall be copied, disclosed, to others or used in conjunction with any work or project other than the specified project for which they have been prepared and developed, without written consent of OCL. Visual contact with these plans or specifications shall constitute conclusive evidence of acceptance of these restrictions. All specifications and information subject to change without notice.