

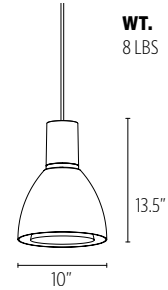


Levo™

PENDANT

FEATURES

- QUALITY CONSTRUCTION INCLUDES HEAVY GAUGE SHEET METAL AND DIE-CAST ALUMINUM.
- FEATURES A SOFTLY ILLUMINATED OUTER ACRYLIC DIFFUSER AND A LIGHT-DIRECTING INNER ALUMINUM REFLECTOR.
- THERMALLY FORMED DIFFUSER IS VIRGIN WHITE ACRYLIC
- 3 STEP LED BINNING



CATALOG CODES

LE1	B	10		E	I	UNV	H	I	J
SERIES	HANGING SYSTEM	SIZE	DIFFUSER	FINISH	LIGHT SOURCE	VOLTAGE	OAH	CONTROL	OPTIONS

SPECIFY CATALOG CODE

A	B	C	D	E
SERIES	HANGING SYSTEM	SIZE	DIFFUSER	FINISH
 LE1 LEVO	P1CB PENDANT WITH SURFACE MOUNT CANOPY, SINGLE <u>WHITE</u> POWER CORD; MOUNTS TO 4X4 OCTAGON J-BOX (BY OTHERS)	10	MW MATTE WHITE GW GLOSS WHITE	POWDER COAT FINISHES BKP BLACK BMP BRASS METALLIC BNP BRONZE BTP BLACK TEXTURED GRP GRAPHITE GLP GOLDTASTIC MWP MATTE WHITE SGP STEEL GRAY SMP SILVER METALLIC SWP SKY WHITE WTP WHITE TEXTURED
	P1FC PENDANT WITH FLAT CANOPY, SINGLE <u>WHITE</u> POWER CORD; MOUNTS TO OCL RECESSED J-BOX (PROVIDED BY OCL)			
	P1BD PENDANT WITH EMERGENCY DRIVER IN SURFACE MOUNT CANOPY, SINGLE CENTER AIRCRAFT CABLE AND <u>WHITE</u> POWER CORD			
F	G	I	J	
LIGHT SOURCE	VOLTAGE	OAH	CONTROL	OPTIONS
LED OUTPUT LED1 LED2	COLOR TEMP 27K 30K 35K 40K	UNV 120-277 48 100 144	DM1 0-10V DIMMING 1% DM3 LUTRON HI-LUME ECOSYSTEM 1% (LDE1)	ULD DAMP LABEL MOD MODIFIED LUMINAIRE (CONTACT LOCAL REP)

SAMPLE CODE: LE1-P1CF-10-GW-MWP-LED1/35K-UNV-48-DM1

*For Minimum OAH, see hanging systems details. Fixture will ship with one of three standard OAH's (48", 100" or 144") field adjustable to the desired height.

LUMENS AND WATTAGE CHART		
		10
LED1	LUMENS DELIVERED	1240
	SYSTEM WATTAGE	20
LED2	LUMENS DELIVERED	1550
	SYSTEM WATTAGE	25

UP TO **62** LM/W

This chart was created for a 35K color temp. Multiply by 0.95 for 27k color temp, 0.97 for 30k color temp, and 1.03 for 40k color temp. Wattage and lumen data approx. pending LM-79 testing.

MODS, NOTES, & COMMENTS



This product meets the material restrictions of Article 4 of the RoHS Directive (2011/65/EU), including Commission Delegated Directive 2015/863

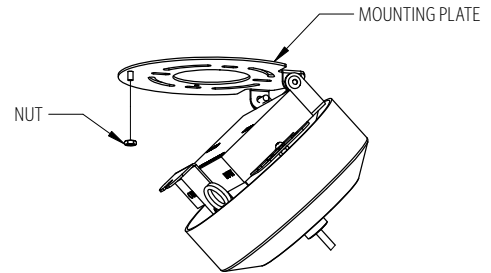
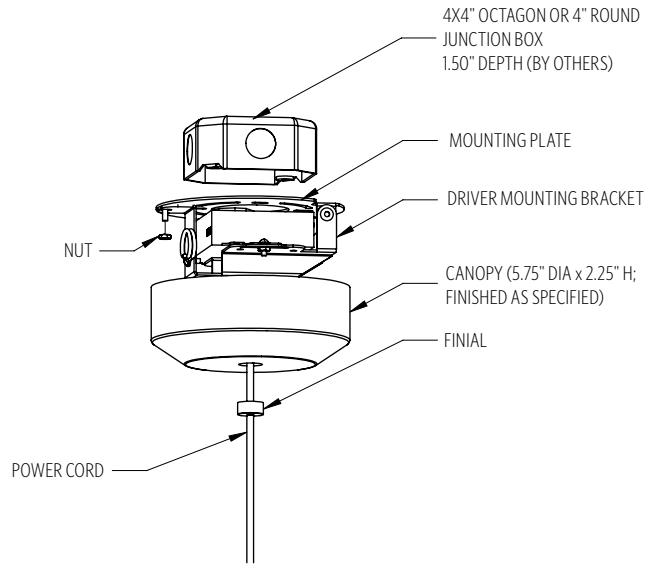
HANGING SYSTEM

PICB PENDANT WITH SURFACE MOUNT CANOPY, SINGLE **WHITE** POWER CORD;
MOUNTS TO 4X4 OCTAGON J-BOX (BY OTHERS)

MOUNTING INFORMATION CHART

LUMINAIRE SIZE	LUMINAIRE WEIGHT	MIN/MAX OAH
10"	8 LBS	12/144"

Fixture will ship with one of three standard OAH's (48", 100" or 144") field adjustable to the desired height.

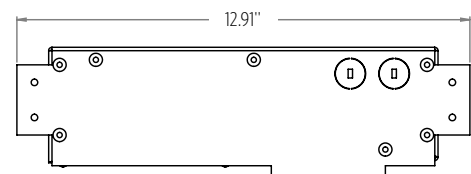
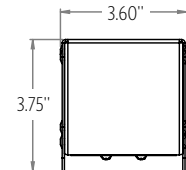
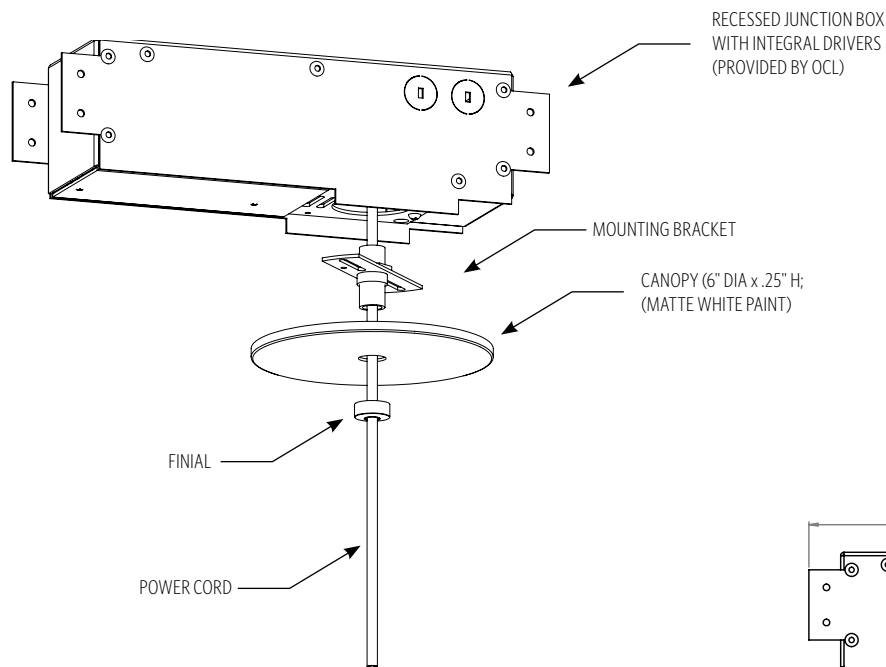


P1FC PENDANT WITH FLAT CANOPY, SINGLE **WHITE** POWER CORD;
MOUNTS TO OCL RECESSED J-BOX (PROVIDED BY OCL)

MOUNTING INFORMATION CHART

LUMINAIRE SIZE	LUMINAIRE WEIGHT	MIN/MAX OAH
10"	8 LBS	12/144"

Fixture will ship with one of three standard OAH's (48", 100" or 144") field adjustable to the desired height.

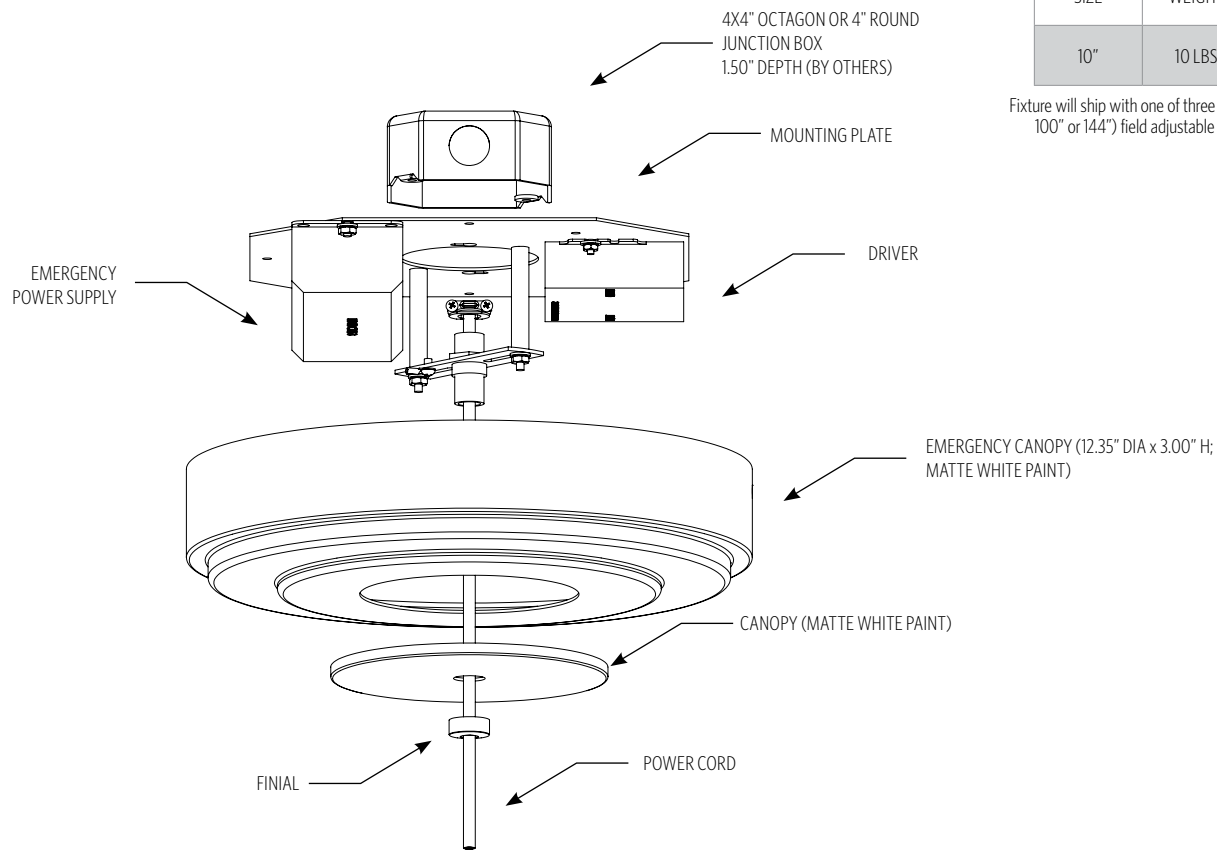


PROFILE VIEW
RECESSED JUNCTION BOX

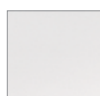
PIBD PENDANT WITH EMERGENCY DRIVER IN SURFACE MOUNT CANOPY, SINGLE CENTER AIRCRAFT CABLE AND **WHITE** POWER CORD

MOUNTING INFORMATION CHART		
LUMINAIRE SIZE	LUMINAIRE WEIGHT	MIN/MAX OAH
10"	10 LBS	12/144"

Fixture will ship with one of three standard OAH's (48", 100" or 144") field adjustable to the desired height.



DIFFUSER

-  **MW** MATTE WHITE
-  **GW** GLOSS WHITE

FINISH

METALLIC POWDER COAT FINISHES:

-  **SMP**
SILVER
-  **GRP**
GRAPHITE
-  **SGP**
STEEL GRAY
-  **GLP**
GOLD TASTIC
-  **BMP**
BRASS
-  **BNP**
BRONZE

SOLID POWDER COAT FINISHES:

-  **SWP**
SKY WHITE
-  **MWP**
MATTE WHITE
-  **BKP**
BLACK

TEXTURED POWDER COAT FINISHES:

-  **BTP**
BLACK TEXTURED
-  **WTP**
WHITE TEXTURED

RAL, Pantone, or custom finishes are also available.

These colors are for reference only. Please be aware that colors may vary per monitor. Contact your local rep for finish samples or with any questions.

LIGHT SOURCE

LUMENS AND WATTAGE CHART		
		10
LED1	LUMENS DELIVERED	1240
	SYSTEM WATTAGE	20
LED2	LUMENS DELIVERED	1550
	SYSTEM WATTAGE	25

This chart was created for a 35K color temp. Multiply by 0.95 for 27k color temp, 0.97 for 30k color temp, and 1.03 for 40k color temp.

STANDARD COLOR TEMPERATURE OPTIONS	CRI (RA)
2700K	80+
3000K	80+
3500K	80+
4000K	80+

****PHOTOMETRIC INFORMATION PENDING****

CONTROL

DM1 0-10V DIMMING DOWN TO 1%

- 0-10V DIMMING
- 1% MINIMUM DIMMING LEVEL
- ELECTRONIC DRIVER
- POWER FACTOR >0.9
- THD <20%
- MIN AMBIENT OPERATING TEMPERATURE = -31°F
- FIELD REPLACEABLE

DM3 LUTRON HI-LUME ECOSYSTEM 1% (LDE1)

- LUTRON DIGITAL ECOSYSTEM DIMMING
- 1% MINIMUM DIMMING LEVEL
- SOFT-ON / FADE-TO-BLACK
- ELECTRONIC DRIVER
- POWER FACTOR >0.9 @ 120V
- THD <23% @ 120V
- MIN AMBIENT OPERATING TEMPERATURE = 32°F
- FIELD REPLACEABLE

OPTIONS

ULD DAMP LABEL LUMINAIRE

- MAY BE USED IN AN OUTDOOR AREA THAT IS PROTECTED FROM DIRECT CONTACT WITH WIND, RAIN, SNOW OR EXCESSIVE MOISTURE

MOD MODIFIED LUMINAIRE

- LUMINAIRE IS MODIFIED FROM STANDARD OPTIONS; CONTACT LOCAL REP FOR MORE INFORMATION

SPECIFICATIONS

CONSTRUCTION

- FIXTURE IS DIE-CAST ALUMINUM
- DIFFUSER IS INJECTION-MOLDED ACRYLIC
- HANGING SYSTEMS USE STEEL OR ALUMINUM CANOPIES
- HARDWARE IS ZINC PLATED OR STAINLESS STEEL

MOUNTING

- PICB & PIBD MOUNT TO 4X4" OCTAGON OR 4" ROUND J-BOX (BY OTHER)
- PIFC MOUNTS TO OCL PROPRIETARY RECESSED J-BOX WITH INTEGRAL DRIVER (PROVIDED BY OCL)

ELECTRICAL

- DIMMING ELECTRONIC DRIVER(S), COMES STANDARD WITH 0-10V DOWN TO 1%
- LUTRON (LDE1) ECOSYSTEM 1% ALSO AVAILABLE
- BRIDGELUX COB
- LUMINAIRE CONNECTS TO BUILDING SUPPLY (120V-277V 50/60HZ) UNLESS DRIVERS ARE REMOTE

EMERGENCY DRIVER

- EMERGENCY DRIVER RUNS AT 5W FOR 90 MINUTES WHEN ACTIVE
- 24 HOUR RECHARGE PERIOD
- 7-10 YEAR BATTERY LIFE
- 5 YEAR WARRANTY

LISTING

- ETL LISTED TO UL 1598 FOR DRY LOCATIONS; DAMP LOCATION LISTED IS OPTION

WARRANTY

- 5 YEAR; ALL ELECTRICAL COMPONENTS RETAIN THE MANUFACTURER'S WARRANTY

SUSTAINABILITY

- THIS PRODUCT MEETS THE MATERIAL RESTRICTIONS OF ARTICLE 4 OF THE **ROHS** DIRECTIVE (2011/65/EU), INCLUDING COMMISSION DELEGATED DIRECTIVE 2015/863

The drawings and specifications and ideas, designs and arrangements represented on these drawings are and shall remain the property of The Original Cast Lighting (OCL Architectural Lighting) and no part thereof shall be copied, disclosed, to others or used in conjunction with any work or project other than the specified project for which they have been prepared and developed, without written consent of OCL. Visual contact with these plans or specifications shall constitute conclusive evidence of acceptance of these restrictions. All specifications and information subject to change without notice.