

Hilo™

SCONCE

FEATURES

- AVAILABLE IN 80+ CRI AND 90+ CRI (R9>50)
- THE SIMPLE, UNDERSTATED LOOK OF THE HILO IS WELL SUITED FOR NUMEROUS INTERIOR APPLICATIONS
- 1.50" WIDE MATTE ANODIZED, ALUMINUM EXTRUDED BACK CHANNEL
- THE HILO FEATURES SOLID ALUMINUM DIE-CAST ENDS WITH A DISTINCTIVE TAPERING CRESCENT DESIGN
- 3/16" THICK EXTRUDED VIRGIN WHITE ACRYLIC DIFFUSER IS UV STABLE AND UL-94 HB FLAME CLASS RATED
- THE HILO CAN BE MOUNTED VERTICALLY OR HORIZONTALLY AND IS AVAILABLE IN A VARIETY OF LENGTHS



CATALOG CODES

HO1	-	S1SA	-	C	-	D	-	E	-	F	-	UNV	-	DM1	-	I
SERIES		HANGING SYSTEM		SIZE		DIFFUSER		FINISH		LIGHT SOURCE		VOLTAGE		CONTROL		OPTIONS

SPECIFY CATALOG CODE					
A	B		C	D	E
SERIES	HANGING SYSTEM		SIZE	DIFFUSER	FINISH
 HO1 HILO	S1SA	INDOOR ADA COMPLIANT SCONCE	24	GW GLOSS WHITE	POWDER COAT FINISHES BKP BLACK BMP BRASS METALLIC BNP BRONZE BTP BLACK TEXTURED GRP GRAPHITE GLP GOLDTASTIC MWP MATTE WHITE SGP STEEL GRAY SMP SILVER METALLIC SWP SKY WHITE WTP WHITE TEXTURED
			36	MW MATTE WHITE	
			48		
			60		

F			G	H	I
LIGHT SOURCE			VOLTAGE	CONTROL	OPTIONS
LED OUTPUT LED1 LED2	COLOR TEMP (80+ CRI) 27K 30K 35K 40K	COLOR TEMP (90+ CRI) 927K 930K 935K 940K	UNV 120-277	DM1 0-10V DIMMING 1%	ULD DAMP LABEL BIOS BIOS SKYBLUE™ OR BIOS SKYLYBLUE™ DYNAMIC LIGHT ENGINE* MOD MODIFIED LUMINAIRE (CONTACT LOCAL REP)

SAMPLE CODE: HO1-S1SA-24-GW-WTP-LED1/27K-UNV-DM1

*Contact factory for BIOS SkyBlue® or BIOS SkyBlue® Dynamic light engine and control options.

UP TO **80** LM/W

LUMENS AND WATTAGE CHART

		24"	36"	48"	60"
LED1	LUMENS DELIVERED	2050	3500	5000	6400
	SYSTEM WATTAGE	30	45	65	80
LED2	LUMENS DELIVERED	2550	4350	6300	8000
	SYSTEM WATTAGE	35	60	80	100

This chart was created for a 35K color temp. Multiply by 0.95 for 27k color temp, 0.97 for 30k color temp, and 1.03 for 40k color temp. Wattage and lumen data approx. pending LM-79 testing. Values shown for 80+ CRI. For 90+ CRI lumens use 0.85 multiplier.

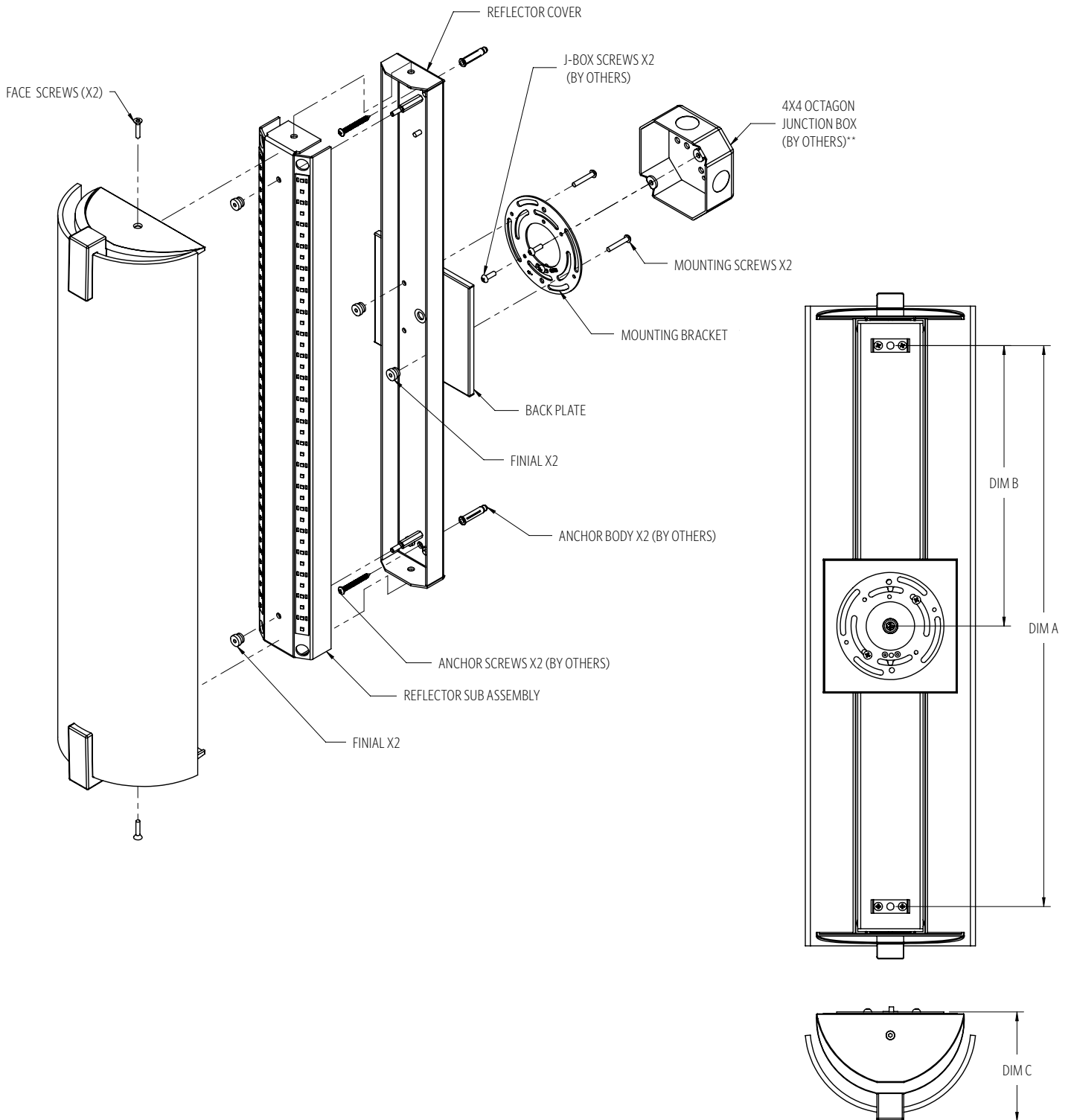
MODS, NOTES, & COMMENTS

HANGING SYSTEM

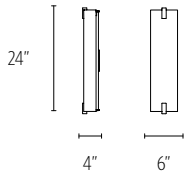
SISA INDOOR ADA COMPLIANT SCNCE

MOUNTING INFORMATION CHART

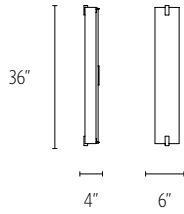
LUMINAIRE DIAMETER	LUMINAIRE WEIGHT	MOUNTING DISTANCE DIM A	MOUNTING DISTANCE DIM B	MOUNTING DISTANCE DIM C	MOUNTING POINTS
24"	5 LBS	21.000"	10.500"	4.000"	3
36"	7.5LBS	32.375"	16.1875"	4.000"	3
48"	10 LBS	44.525"	22.2625"	4.000"	3
60"	12.5 LBS	55.575"	27.7875"	4.000"	3



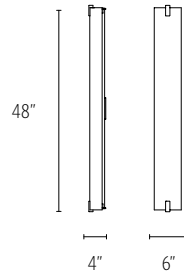
SIZES



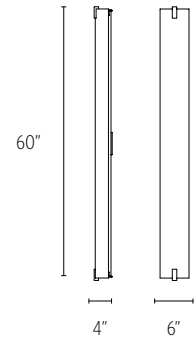
FIXTURE WEIGHT **4 LBS**



FIXTURE WEIGHT **5 LBS**



FIXTURE WEIGHT **6 LBS**



FIXTURE WEIGHT **7 LBS**

DIFFUSER



MW MATTE WHITE



GW GLOSS WHITE

FINISH

METALLIC POWDER COAT FINISHES:



SMP
SILVER



GRP
GRAPHITE



SGP
STEEL GRAY



GLP
GOLD



BMP
BRASS



BNP
BRONZE

RAL®, Pantone® or custom finishes are also available.

These colors are for reference only. Please be aware that colors may vary per monitor. Contact your local rep for finish samples or with any questions.

SOLID POWDER COAT FINISHES:



SWP
SKY WHITE



MWP
MATTE WHITE



BKP
BLACK

TEXTURED POWDER COAT FINISHES:



BTP
BLACK TEXTURED



WTP
WHITE TEXTURED

LIGHT SOURCE

LUMENS AND WATTAGE CHART

		24"	36"	48"	60"
LED1	LUMENS DELIVERED	2050	3500	5000	6400
	SYSTEM WATTAGE	30	45	65	80
LED2	LUMENS DELIVERED	2550	4350	6300	8000
	SYSTEM WATTAGE	35	60	80	100

This chart was created for a 35K color temp. Multiply by 0.95 for 27k color temp, 0.97 for 30k color temp, and 1.03 for 40k color temp. Wattage and lumen data approx. pending LM-79 testing. Values shown for 80+ CRI. For 90+ CRI lumens use 0.85 multiplier.

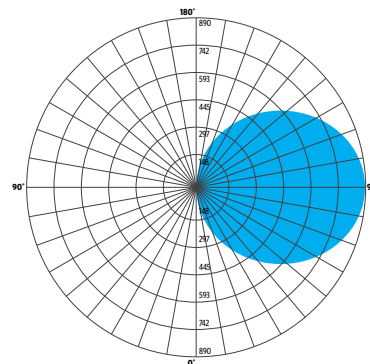
STANDARD COLOR TEMPERATURE OPTIONS	CRI (RA)	
	2700K	80+
3000K	80+	90+
3500K	80+	90+
4000K	80+	90+

ZONE	NARROW FLOOD	
	LUMENS	% OF LUMINAIRE
0-30	74	2%
0-60	648	19%
0-90	1771	51%
90-180	1697	49%
0-180	3500	100%

PHOTOMETRY:

FIXTURE: H01-SISA-36 LED1
 COLOR TEMP #: 3500K
 TEST REPORT: TEST NO.13799.0

For all available IES files, please visit our website at ocl.com.



H01

CONTROL

DM1 0-10V DIMMING DOWN TO 1%

- 0-10V DIMMING
- 1% MINIMUM DIMMING LEVEL
- ELECTRONIC DRIVER
- POWER FACTOR >0.9
- THD <20%
- MIN AMBIENT OPERATING TEMPERATURE = -31°F
- FIELD REPLACEABLE

OPTIONS

ULD DAMP LABEL LUMINAIRE

- MAY BE USED IN AN OUTDOOR AREA THAT IS PROTECTED FROM DIRECT CONTACT WITH WIND, RAIN, SNOW OR EXCESSIVE MOISTURE

MOD MODIFIED LUMINAIRE

- LUMINAIRE IS MODIFIED FROM STANDARD OPTIONS; CONTACT LOCAL REP FOR MORE INFORMATION

BIOS

- **BIOS SKYBLUE™ DYNAMIC** LIGHT ENGINE IS DIMMABLE AND FEATURES A SIMPLE APPROACH TO CIRCADIAN LIGHTING CONTROLS.
- WHEN PAIRED WITH THE BIOS BIO-DIMMING MODULE, IT OPERATES USING ANY SINGLE CHANNEL CONSTANT CURRENT (CC) LED DRIVER AND CAN BE USED WITH ANY STANDARD DIMMING INTERFACE/PROTOCOL (0-10V, ELV, DMX, WIRELESS) AND COULD WORK WITH EXISTING TWO-CHANNEL CONTROL SYSTEMS AS WELL.
- VISIT OCL.COM/BIOS FOR MORE INFORMATION

SPECIFICATIONS

CONSTRUCTION

- EXTRUDED AND MACHINED ALUMINUM BODY
- ALUMINUM DIE-CAST ENDS
- 3/16" THICK EXTRUDED VIRGIN WHITE ACRYLIC
- HARDWARE IS ZINC PLATED OR STAINLESS STEEL

MOUNTING

- **SISA** MOUNTS TO 4X4" OCTAGON OR 4" ROUND J-BOX (BY OTHER)

ELECTRICAL

- DIMMING ELECTRONIC DRIVER(S), COMES STANDARD WITH 0-10V DOWN TO 1%
- 0-10V DOWN TO 1% AND LUTRON ECOSYSTEM (LDE1) 1% ALSO AVAILABLE AS MODIFICATION (REQUIRES REMOTE DRIVERS)
- OCL PROPRIETARY LED ARRAYS USE NICHIA 757 DIODES
- LUMINAIRE CONNECTS TO BUILDING SUPPLY (120V-277V 50/60HZ) UNLESS DRIVERS ARE REMOTE

LISTING

- ETL LISTED TO UL 1598 FOR DRY LOCATIONS; DAMP LOCATION LISTED IS OPTION

WARRANTY

- 5 YEAR; ALL ELECTRICAL COMPONENTS RETAIN THE MANUFACTURER'S WARRANTY

SUSTAINABILITY

- **BIOS** LIGHTING CONTRIBUTES TOWARD THE CIRCADIAN LIGHTING DESIGN FEATURE 54 UNDER THE **WELL BUILDING STANDARD™ V1** AND FEATURE L03 UNDER THE **WELL BUILDING STANDARD V2**

COMMON MODIFICATIONS

WE'RE BUILT FOR OUT-OF-THE-BOX THINKERS.

Nearly 50% of OCL fixtures we manufacture have some type of modification. Here is a list of common modifications we frequently produce. **Please contact the factory for modifications specific to your fixture or project.**

Need some help? Simply send your questions to us at OCL-Quotes@ocl.com

- BIOS, TUNABLE WHITE, WARM-DIM, & RGBW LIGHT SOURCES
- SPECIFIC LUMEN OUTPUT
- MODIFIED CLUSTERS OR CONFIGURATIONS / MULTI-DROP CANOPIES
- VARIOUS SHAPES, ARCS, AND CURVES FOR LINEAR PROFILES AND RINGS
- CEILING OR SURFACE MOUNTING
- LARGE SCALE MODIFICATIONS
- RAL, PANTONE, BRAND-SPECIFIC, RETIRED OCL COLOR, OR CUSTOM FINISHES



- EMERGENCY BATTERY BACKUP OR INVERTER OPTIONS
- REMOTE DRIVERS / EXTENDED DISTANCE REMOTE DRIVERS
- DIMMING TO 0.1% (DIM TO DARK)
- NON-STANDARD SIZES OR LENGTHS
- NON-STANDARD CANOPY, BODY AND/OR CORD COLORS
- SEISMIC AND/OR ANTI-SWAY SYSTEMS
- RIGID STEMS
- MODIFIED OVERALL HEIGHTS (LONGER OR SHORTER OAH)
- UPLIGHT ADDITIONS
- LASER ETCHING, ENGRAVING, AND CUTOUTS

The drawings and specifications and ideas, designs and arrangements represented on these drawings are and shall remain the property of The Original Cast Lighting (OCL Architectural Lighting) and no part thereof shall be copied, disclosed, to others or used in conjunction with any work or project other than the specified project for which they have been prepared and developed, without written consent of OCL. Visual contact with these plans or specifications shall constitute conclusive evidence of acceptance of these restrictions. All specifications and information subject to change without notice.