



Highrise™

PENDANT




FEATURES

- AVAILABLE IN 80+ CRI AND 90+ CRI (R9>50)
- CRESCENT-SHAPED DIFFUSER HAS A SMOOTH, CONCAVE DESIGN TO REFLECT A SOFT GLOW UPWARD FROM FIXTURE BODY
- FIELD REPLACEABLE LED ARRAYS AND DRIVERS
- EXTRUDED DIFFUSER IS VIRGIN WHITE ACRYLIC, UV STABLE AND UL-94 HB FLAME RATED
- 3 STEP COLOR BINNING



CATALOG CODES

A	P1EB	C		E	F	UNV	H	DM1	J
SERIES	HANGING SYSTEM	SIZE	DIFFUSER	FINISH	LIGHT SOURCE	VOLTAGE	OAH	CONTROL	OPTIONS

SPECIFY CATALOG CODE											
A	B		C	D		E					
SERIES	HANGING SYSTEM		SIZE	DIFFUSER		FINISH					
 HI1 HIGHRISE  HI2 HIGHRISE  HI3 HIGHRISE	P1EB	PENDANT WITH AN AIRCRAFT CABLE ON EACH END OF THE FIXTURE AND A POWER CORD ON ONE END; REMOTE DRIVER ENCLOSURE	24	GW	GLOSS WHITE ACRYLIC	POWDER COAT FINISHES BKP BLACK BMP BRASS METALLIC BNP BRONZE BTP BLACK TEXTURED GRP GRAPHITE GLP GOLDTASTIC MWP MATTE WHITE SGP STEEL GRAY SMP SILVER METALLIC SWP SKY WHITE WTP WHITE TEXTURED					
			36	MW	MATTE WHITE ACRYLIC						
			48								
			60								
F		G	H	I	J						
LIGHT SOURCE		VOLTAGE	OAH	CONTROL	OPTIONS						
LED OUTPUT	COLOR TEMP	COLOR TEMP	UNV 120-277	DM1	ULD DAMP LABEL BIOS BIOS SKYBLUE™ OR BIOS SKYBLUE™ DYNAMIC LIGHT ENGINE** MOD MODIFIED LUMINAIRE (CONTACT LOCAL REP)						
LED1	(80+ CRI)	(90+ CRI)	48	0-10V DIMMING 1%							
LED2	27K	927K	100								
	30K	930K	144								
	35K	935K									
	40K	940K									

SAMPLE CODE: HI1-P1EB-24-MW-WTP-LED1/27K-UNV

*Fixture will ship with one of three standard OAH's (48", 100" or 144") field adjustable to the desired height.

**Contact factory for BIOS SkyBlue® or BIOS SkyBlue® Dynamic light engine and control options.

UP TO **80** LM/W

LUMENS AND WATTAGE CHART

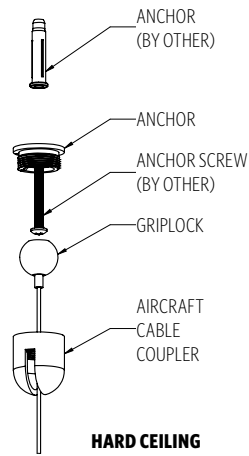
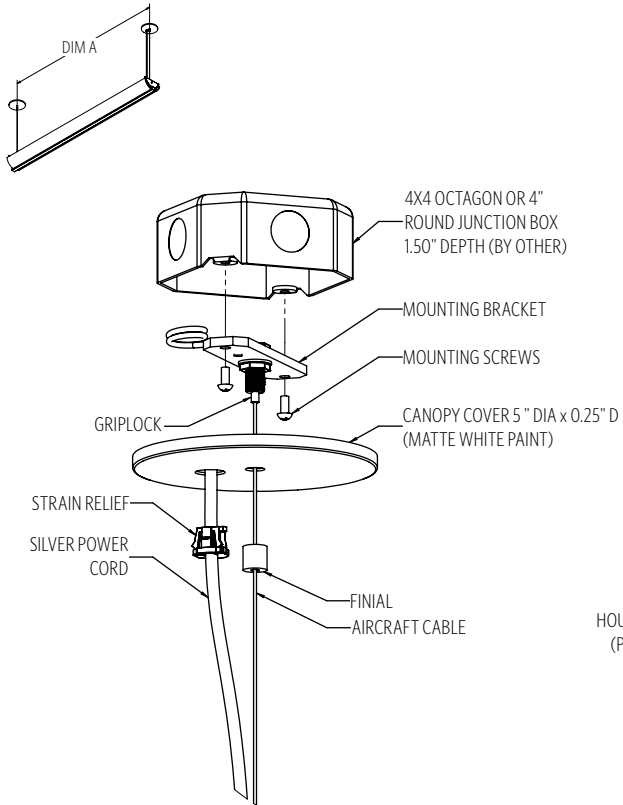
		24"	36"	48"	60"
LED1	LUMENS DELIVERED	2050	3500	5000	6400
	SYSTEM WATTAGE	30	45	65	80
LED2	LUMENS DELIVERED	2550	4350	6300	8000
	SYSTEM WATTAGE	35	60	80	100

This chart was created for a 35K color temp. Multiply by 0.95 for 27k color temp, 0.97 for 30k color temp, and 1.03 for 40k color temp. Wattage and lumen data approx. pending LM-79 testing. Values shown for 80+ CRI. For 90+ CRI lumens use 0.85 multiplier.

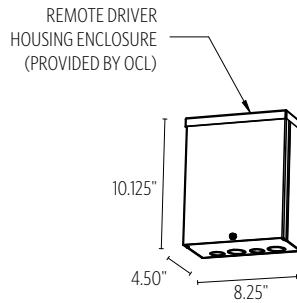
MODS, NOTES, & COMMENTS

HANGING SYSTEM

PIEB PENDANT WITH AN AIRCRAFT CABLE ON EACH END OF THE FIXTURE AND A POWER CORD ON ONE END; REMOTE DRIVER ENCLOSURE

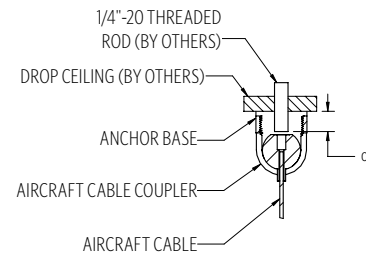


HARD CEILING



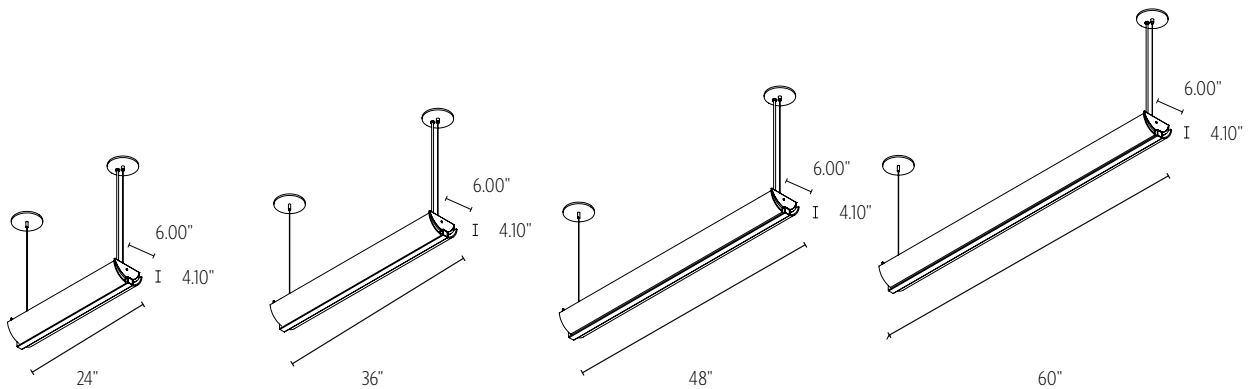
MOUNTING INFORMATION CHART				
LUMINAIRE SIZE	LUMINAIRE WEIGHT	MOUNTING DISTANCE DIM A	MOUNTING POINTS	MIN/MAX OAH
24	6 LBS	21.00	2	8.5"/144"
36	9 LBS	32.38	2	8.5"/144"
48	12 LBS	44.53	2	8.5"/144"
60	15 LBS	55.56	2	8.5"/144"

* PIEB ships with one of three standard OAH's (48", 100" or 144") field adjustable to the desired height. PIEB will include ETL listed enclosure for remote mounting drivers. Max 30' distance from luminaire



DROP CEILING

SIZES



DIFFUSER



FINISH

METALLIC POWDER COAT FINISHES:



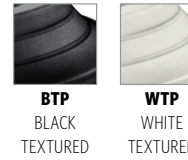
PREMIUM METAL FINISHES:



SOLID POWDER COAT FINISHES:



TEXTURED POWDER COAT FINISHES:



RAL®, Pantone® or custom finishes are also available.

These colors are for reference only. Please be aware that colors may vary per monitor. Contact your local rep for finish samples or with any questions.

LIGHT SOURCE

LUMENS AND WATTAGE CHART

		24"	36"	48"	60"
LED1	LUMENS DELIVERED	2050	3500	5000	6400
	SYSTEM WATTAGE	30	45	65	80
LED2	LUMENS DELIVERED	2550	4350	6300	8000
	SYSTEM WATTAGE	35	60	80	100

This chart was created for a 35K color temp. Multiply by 0.95 for 27k color temp, 0.97 for 30k color temp, and 1.03 for 40k color temp. Wattage and lumen data approx. pending LM-79 testing. Values shown for 80+ CRI. For 90+ CRI lumens use 0.85 multiplier.

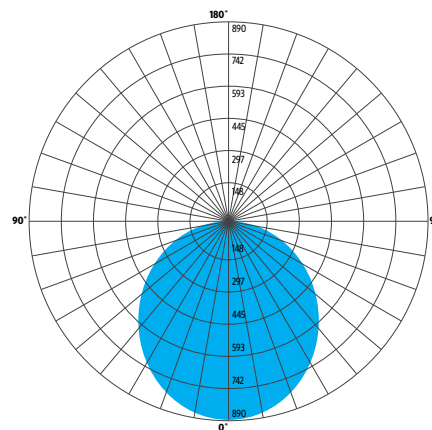
STANDARD COLOR TEMPERATURE OPTIONS	CRI (RA)	
	2700K	80+
3000K	80+	90+
3500K	80+	90+
4000K	80+	90+

ZONE	LUMENS	% OF LUMINAIRE
0-30	74	2%
0-60	648	19%
0-90	1771	51%
90-180	1697	49%
0-180	3468	100%

PHOTOMETRY:

FIXTURE: HIX-SISA-36 LED1
 COLOR TEMP #: 3500K
 TEST REPORT: TEST NO. 13799.0

For all available IES files, please visit our website at ocl.com.



HIX

CONTROL

DM1 0-10V DIMMING DOWN TO 1%

- 0-10V DIMMING
- 1% MINIMUM DIMMING LEVEL
- ELECTRONIC DRIVER
- POWER FACTOR >0.9
- THD <20%
- MIN AMBIENT OPERATING TEMPERATURE = -31°F
- FIELD REPLACEABLE

OPTIONS

ULD DAMP LABEL LUMINAIRE

- MAY BE USED IN AN OUTDOOR AREA THAT IS PROTECTED FROM DIRECT CONTACT WITH WIND, RAIN, SNOW OR EXCESSIVE MOISTURE

MOD MODIFIED LUMINAIRE

- LUMINAIRE IS MODIFIED FROM STANDARD OPTIONS; CONTACT LOCAL REP FOR MORE INFORMATION

BIOS

- **BIOS SKYBLUE™ DYNAMIC** LIGHT ENGINE IS DIMMABLE AND FEATURES A SIMPLE APPROACH TO CIRCADIAN LIGHTING CONTROLS.
- WHEN PAIRED WITH THE BIOS BIO-DIMMING MODULE, IT OPERATES USING ANY SINGLE CHANNEL CONSTANT CURRENT (CC) LED DRIVER AND CAN BE USED WITH ANY STANDARD DIMMING INTERFACE/PROTOCOL (0-10V, ELV, DMX, WIRELESS) AND COULD WORK WITH EXISTING TWO-CHANNEL CONTROL SYSTEMS AS WELL.
- VISIT OCL.COM/BIOS FOR MORE INFORMATION

SPECIFICATIONS

CONSTRUCTION

- EXTRUDED AND MACHINED ALUMINUM BODY
- ALUMINUM DIE-CAST ENDS
- 3/16" THICK EXTRUDED VIRGIN WHITE ACRYLIC
- HANGING SYSTEMS USE STEEL OR ALUMINUM CANOPIES
- HARDWARE IS ZINC PLATED OR STAINLESS STEEL

MOUNTING

- **PIEB** MOUNTS TO 4X4" OCTAGON OR 4" ROUND J-BOX (BY OTHER)

ELECTRICAL

- DIMMING ELECTRONIC DRIVER(S), COMES STANDARD WITH 0-10V DOWN TO 1%
- 0-10V DOWN TO 1% AND LUTRON ECOSYSTEM (LDE1) 1% ALSO AVAILABLE AS MODIFICATION (REQUIRES REMOTE DRIVERS)
- OCL PROPRIETARY LED ARRAYS USE NICHIA 757 DIODES
- **FOR INTEGRAL DRIVERS:** LUMINAIRE CONNECTS TO BUILDING SUPPLY (120V-277V 50/60HZ)
- **FOR REMOTE DRIVERS:** LUMINAIRE WIRE LEADS ARE LOW-VOLTAGE. THE WIRES SHOULD BE CONNECTED TO OCL PROVIDED REMOTE DRIVER ENCLOSURE ONLY!

LISTING

- ETL LISTED TO UL 1598/2108 FOR DRY LOCATIONS, DAMP LOCATION LISTED IS OPTION

WARRANTY

- 5 YEAR; ALL ELECTRICAL COMPONENTS RETAIN THE MANUFACTURER'S WARRANTY

SUSTAINABILITY

- **BIOS** LIGHTING CONTRIBUTES TOWARD THE CIRCADIAN LIGHTING DESIGN FEATURE 54 UNDER THE **WELL BUILDING STANDARD™ V1** AND FEATURE L03 UNDER THE **WELL BUILDING STANDARD V2**

COMMON MODIFICATIONS

WE'RE BUILT FOR OUT-OF-THE-BOX THINKERS.

Nearly 50% of OCL fixtures we manufacture have some type of modification. Here is a list of common modifications we frequently produce. **Please contact the factory for modifications specific to your fixture or project.**

Need some help? Simply send your questions to us at OCL-Quotes@ocl.com

- BIOS, TUNABLE WHITE, WARM-DIM, & RGBW LIGHT SOURCES
- SPECIFIC LUMEN OUTPUT
- MODIFIED CLUSTERS OR CONFIGURATIONS / MULTI-DROP CANOPIES
- VARIOUS SHAPES, ARCS, AND CURVES FOR LINEAR PROFILES AND RINGS
- CEILING OR SURFACE MOUNTING
- LARGE SCALE MODIFICATIONS
- RAL, PANTONE, BRAND-SPECIFIC, RETIRED OCL COLOR, OR CUSTOM FINISHES



- EMERGENCY BATTERY BACKUP OR INVERTER OPTIONS
- REMOTE DRIVERS / EXTENDED DISTANCE REMOTE DRIVERS
- DIMMING TO 0.1% (DIM TO DARK)
- NON-STANDARD SIZES OR LENGTHS
- NON-STANDARD CANOPY, BODY AND/OR CORD COLORS
- SEISMIC AND/OR ANTI-SWAY SYSTEMS
- RIGID STEMS
- MODIFIED OVERALL HEIGHTS (LONGER OR SHORTER OAH)
- UPLIGHT ADDITIONS
- LASER ETCHING, ENGRAVING, AND CUTOUTS

The drawings and specifications and ideas, designs and arrangements represented on these drawings are and shall remain the property of The Original Cast Lighting (OCL Architectural Lighting) and no part thereof shall be copied, disclosed, to others or used in conjunction with any work or project other than the specified project for which they have been prepared and developed, without written consent of OCL. Visual contact with these plans or specifications shall constitute conclusive evidence of acceptance of these restrictions. All specifications and information subject to change without notice.