



Glowstick™

PENDANT


FEATURES

- ELEGANT & CONTEMPORARY DESIGN WITH END LIT DIFFUSER
- EXCELLENT THERMAL MANAGEMENT IS ACHIEVED THROUGH AN EXTRUDED AND MACHINED ALUMINUM FIXTURE BODY
- FIXTURES CAN BE CLUSTERED TOGETHER TO CREATE LARGE SCALE INSTALLATIONS.
- AVAILABLE IN 80+ CRI AND 90+ CRI (R9>50)
- 3 STEP LED BINNING
- FIELD REPLACEABLE LEDS AND DRIVERS



CATALOG CODES

GS1	B	C	CR	E	LED1	UNV	H	I	J
SERIES	HANGING SYSTEM	SIZE	DIFFUSER	FINISH	LIGHT SOURCE	VOLTAGE	OAH	CONTROL	OPTIONS

SPECIFY CATALOG CODE		A	B	C	D	E		
SERIES		HANGING SYSTEM		SIZE	DIFFUSER	STANDARD FINISHES		PREMIUM FINISHES
 <p>GS1 GLOWSTICK</p>	<p>P1CF PENDANT WITH SURFACE MOUNT CANOPY, SINGLE SILVER POWER CORD; MOUNTS TO 4X4 OCTAGON J-BOX (BY OTHERS)</p> <p>P1FE PENDANT WITH FLAT MATTE WHITE CANOPY, SINGLE SILVER POWER CORD; MOUNTS TO OCL RECESSED J-BOX (PROVIDED BY OCL)</p>	14	<p>CR CLEAR ACRYLIC ROD</p>	<p>POWDER COAT FINISHES</p> <p>BKP BLACK</p> <p>BMP BRASS METALLIC</p> <p>BNP BRONZE</p> <p>BTP BLACK TEXTURED</p> <p>GRP GRAPHITE</p> <p>GLP GOLDTASTIC</p> <p>MWP MATTE WHITE</p> <p>SGP STEEL GRAY</p> <p>SMP SILVER METALLIC</p> <p>SWP SKY WHITE</p> <p>WTP WHITE TEXTURED</p>	<p>EVERWOODS POWDER COAT FINISHES (BODY ONLY)</p> <p>WPDP WHITE PINE</p> <p>PNDP PINE</p> <p>CRDP CHERRY</p> <p>TKDP TEAK</p> <p>WLDP WALNUT</p> <p>DLDP DARK WALNUT</p> <p>LWDP LIGHT BARNWOOD</p> <p>DWDP DARK BARNWOOD</p>			
		18						
		24						
		30						
		36						

F LIGHT SOURCE			G VOLTAGE	H OAH	I CONTROL	J OPTIONS
LED OUTPUT	COLOR TEMP	COLOR TEMP	<p>UNV 120-277</p>	<p>48</p> <p>100</p> <p>144</p>	<p>DM1 0-10V DIMMING 1%</p> <p>DM3 LUTRON HI-LUME ECOSYSTEM 1% (LDE1)</p>	<p>HCL HEX CELL LOUVER</p> <p>ULD UL DAMP LABEL</p> <p>BABA BABA COMPLIANCE FOR P1CF HANGING SYSTEM</p> <p>MOD MODIFIED LUMINAIRE (CONTACT LOCAL REP)</p>
LED1	(80+ CRI)	(90+ CRI)				
	27K	927K				
	30K	930K				
	35K	935K				
	40K	940K				

SAMPLE CODE: GS1-P1CF-24-CR-WTP-LED1/35K-UNV-48-DM1

*For Minimum OAH, see hanging systems details. Fixture will ship with one of three standard OAH's (48", 100" or 144") field adjustable to the desired height.

Fixtures with **P1FE** hanging system or any **Everwoods finish**, canopy will be **MWP** unless specified; Fixtures with **P1CF** hanging system, canopy will match finish choice.

UP TO **75** LM/W

		ALL SIZES
LED1	LUMENS DELIVERED	825
	SYSTEM WATTAGE	11

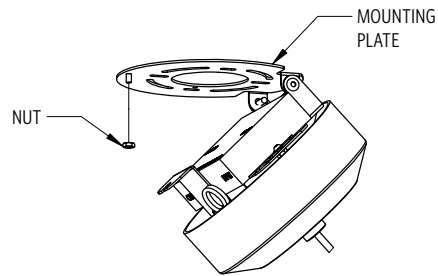
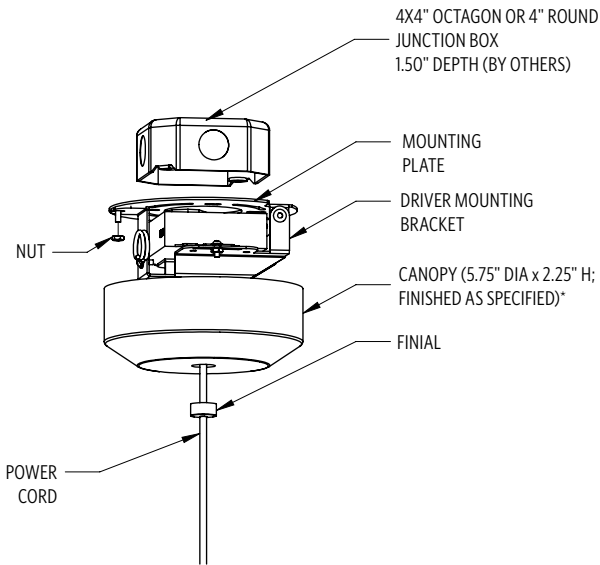
This chart was created for a 35K color temp. Multiply by 0.95 for 27k color temp, 0.97 for 30k color temp, and 1.03 for 40k color temp.

Values shown for 80+ CRI. For 90+ CRI lumens use 0.85 multiplier.

MODS, NOTES, & COMMENTS

HANGING SYSTEM

PICF PENDANT WITH SURFACE MOUNT CANOPY, SINGLE **SILVER** POWER CORD; MOUNTS TO 4X4 OCTAGON J-BOX (BY OTHERS)



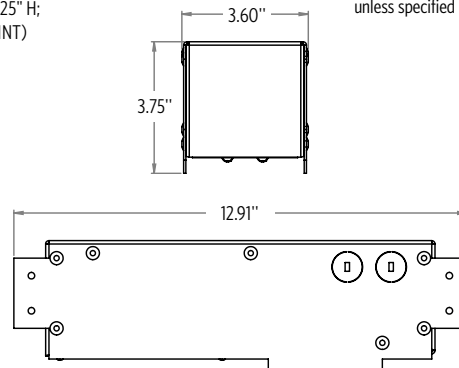
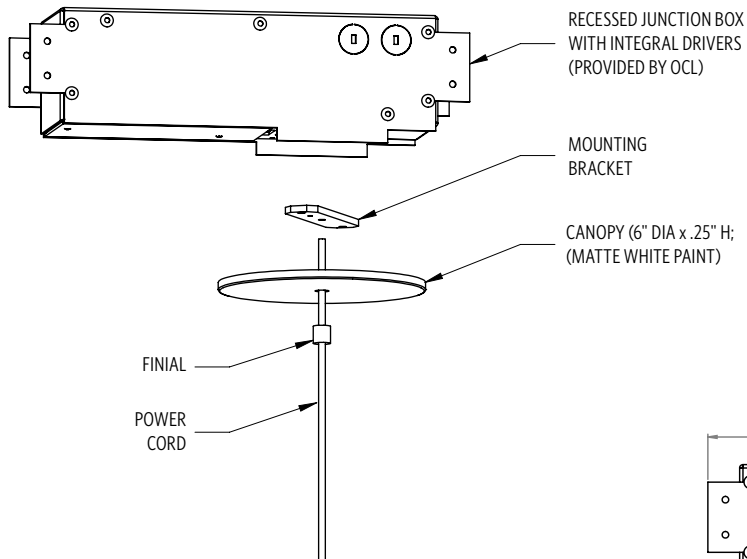
MOUNTING INFORMATION CHART

FIXTURE LENGTH	FIXTURE WEIGHT	MIN/MAX OAH
14"	4 LBS	20/120"
18"	4 LBS	24/120"
24"	5 LBS	30/120"
30"	5 LBS	36/120"
36"	5 LBS	42/120"

Fixture will ship with one of three standard OAH's (48", 100" or 144") field adjustable to the desired height.

Fixtures with **PICF** hanging system, canopy will match finish choice; Fixtures with any **Everwoods finish**, canopy will be **MWP** unless specified

PIFE PENDANT WITH FLAT MATTE WHITE CANOPY, SINGLE **SILVER** POWER CORD; MOUNTS TO OCL RECESSED J-BOX (PROVIDED BY OCL)



PROFILE VIEW
RECESSED JUNCTION BOX

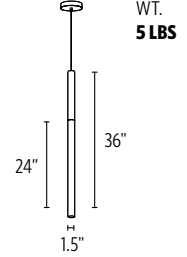
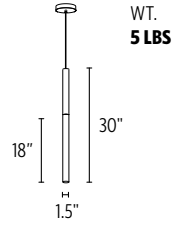
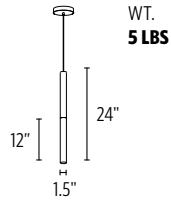
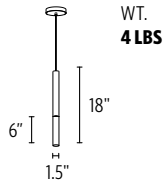
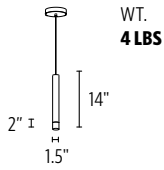
MOUNTING INFORMATION CHART

FIXTURE LENGTH	FIXTURE WEIGHT	MIN/MAX OAH
14"	4 LBS	17/120"
18"	4 LBS	21/120"
24"	5 LBS	27/120"
30"	5 LBS	33/120"
36"	5 LBS	39/120"

Fixture will ship with one of three standard OAH's (48", 100" or 144") field adjustable to the desired height.

Fixtures with **PIFE** hanging system or any **Everwoods finish**, canopy will be **MWP** unless specified

SIZE AND SECTIONS



DIFFUSER

FINISH

ACRYLIC FINISHES:



CR CLEAR ACRYLIC ROD

METALLIC POWDER COAT FINISHES:



SMP
SILVER



GRP
GRAPHITE



SGP
STEEL GRAY



GLP
GOLD



BMP
BRASS



BNP
BRONZE

SOLID POWDER COAT FINISHES:



SWP
SKY WHITE



MWP
MATTE
WHITE



BKP
BLACK

TEXTURED POWDER COAT FINISHES:



BTP
BLACK
TEXTURED



WTP
WHITE
TEXTURED

RAL[®], Pantone[®] or custom finishes are also available.

These colors are for reference only. Please be aware that colors may vary per monitor. Contact your local rep for finish samples or with any questions.

EVERWOODS POWDER COAT COLLECTION:



WPDP
WHITE
PINE



PNDP
PINE



CRDP
CHERRY



TKDP
TEAK



WLDP
WALNUT



DLDP
DARK
WALNUT



LWDP
LIGHT
BARNWOOD



DWDP
DARK
BARNWOOD

LIGHT SOURCE

		ALL SIZES
LED1	LUMENS DELIVERED	825
	SYSTEM WATTAGE	11

This chart was created for a 35K color temp. Multiply by 0.95 for 27k color temp, 0.97 for 30k color temp, and 1.03 for 40k color temp.

Values shown for 80+ CRI. For 90+ CRI lumens use 0.85 multiplier.

PHOTOMETRY:

LUMINAIRE: GS1-PICB-24-CR-PTD-LED1/35K-UNV
 COLOR TEMP #: 3500K
 EFFICACY: 75 LM/W
 TEST REPORT: TEST NO. 18917.0

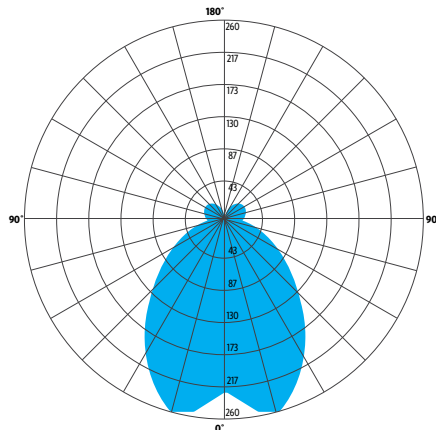
For all available IES files, please visit our website at ocl.com.

STANDARD COLOR TEMPERATURE OPTIONS	CRI (RA)	
	2700K	80+
3000K	80+	90+
3500K	80+	90+
4000K	80+	90+

LUMEN MAINTENANCE

REPORTED: L70 AT >60,000 HRS
 CALCULATED: L70 AT 140,000 HRS
 REPORTED: L90 AT 42,000 HRS
 CALCULATED: L90 AT 42,000 HRS

Derived from EPA TM-21 calculator. Based on typical conditions. Consult the factory for additional details



ZONE	LUMENS	% OF LUMINAIRE
0-30	215	26%
0-60	520	63%
0-90	655	79%
90-180	175	21%
0-180	825	100%

CONTROL

DM1 0-10V DIMMING 1%

- 0-10V DIMMING
- 1% MINIMUM DIM LEVEL
- ELECTRONIC DRIVER
- POWER FACTOR >0.9
- THD <20%
- MINIMUM AMBIENT OPERATING TEMPERATURE -31°F
- FIELD REPLACEABLE

DM3 LUTRON HI-LUME ECOSYSTEM 1% (LDE1)

- LUTRON DIGITAL ECOSYSTEM DIMMING
- 1% MINIMUM DIMMING LEVEL
- SOFT-ON / FADE-TO-BLACK
- ELECTRONIC DRIVER
- POWER FACTOR >0.9 @ 120V
- THD <23% @ 120V
- MIN AMBIENT OPERATING TEMPERATURE = -32°F
- FIELD REPLACEABLE

OPTIONS

HCL HEX CELL LOUVER

- PROVIDES A 45° VISUAL CUT-OFF TO HELP REDUCE GLARE

ULD DAMP LABEL LUMINAIRE

- MAY BE USED IN AN OUTDOOR AREA THAT IS PROTECTED FROM DIRECT CONTACT WITH WIND, RAIN, SNOW OR EXCESSIVE MOISTURE

MOD MODIFIED LUMINAIRE

- LUMINAIRE IS MODIFIED FROM STANDARD OPTIONS; CONTACT LOCAL REP FOR MORE INFORMATION

BABA BABA COMPLIANCE FOR **PICF** HANGING SYSTEM

SPECIFICATIONS

CONSTRUCTION

- HOUSING IS EXTRUDED AND MACHINED ALUMINUM
- DIFFUSER IS CLEAR ACRYLIC
- CANOPY IS SPUN ALUMINUM
- HARDWARE IS ZINC PLATED OR STAINLESS STEEL

MOUNTING

- PICF MOUNTS TO 4X4" OCTAGON OR 4" ROUND J-BOX (BY OTHER)
- PIFE MOUNTS TO OCL PROPRIETARY RECESSED J-BOX WITH INTEGRAL DRIVER (PROVIDED BY OCL)

ELECTRICAL

- DIMMING ELECTRONIC DRIVER(S), COMES STANDARD WITH 0-10V DOWN TO 1%
- LUTRON (LDE1) ECOSYSTEM 1% ALSO AVAILABLE
- BRIDGELUX COB
- 80+ CRI = 80 RA, R9 > 0 (10-15 TYP.)
- 90+ CRI = 90 RA, R9 > 50
- LUMINAIRE CONNECTS TO BUILDING SUPPLY (120V-277V 50/60HZ) UNLESS DRIVERS ARE REMOTE

LISTING

- ETL LISTED TO UL 1598 FOR DRY LOCATIONS; DAMP LOCATION LISTED IS OPTION

WARRANTY

- 5 YEAR; ALL ELECTRICAL COMPONENTS RETAIN THE MANUFACTURER'S WARRANTY

BUILD AMERICA, BUY AMERICA (BABA)

- THIS PRODUCT MEETS THE GUIDELINES FOR THE BUILD AMERICA, BUY AMERICA ACT. **SOME EXCLUSIONS APPLY.** FOR MORE INFORMATION AND A FULL LIST OF ELIGIBLE SKUS, VISIT **OCL.COM/BABA**

SUSTAINABILITY

- **DECLARE:** DECLARE IS AN INGREDIENT LABEL DISCLOSURE FOR BUILDING PRODUCTS THAT IS DESIGNED TO HELP SPECIFIERS QUICKLY IDENTIFY PRODUCTS THAT SUPPORT HUMAN AND ENVIRONMENTAL HEALTH. LEARN MORE AT **OCL.COM/DECLARE**
- THIS PRODUCT MEETS THE MATERIAL RESTRICTIONS OF ARTICLE 4 OF THE **ROHS** DIRECTIVE (2011/65/EU), INCLUDING COMMISSION DELEGATED DIRECTIVE 2015/863

DECLARE

Final assembly location
Where was the product made?

Chemical ingredients
What is in this product?

Red List compliance
Are there Red List ingredients in this product?

Declare.

**Glowstick
OCL Architectural Lighting**

Final Assembly: St. Louis, Missouri, USA
Life Expectancy: 10 Year(s)
End of Life Options: Recyclable (B2), Landfill (B8)

Ingredients:
Small Electrical Component¹; Aluminum; Steel; Steel manufacture, chemicals; 2-Propenoic acid, 2-methyl-, methyl ester, polymer with ethyl 2-propenoate; Cadmium; Zinc; Distillates (petroleum); hydro-treated heavy naphthenic; Iron; Nickel (Metallic)

¹LBC Temp Exception RL-002 - Small Electrical Components

Living Building Challenge Criteria:

I-13 Red List:
 LBC Red List Free % Disclosed: 100% at 100ppm
 LBC Red List Approved VOC Content: Not Applicable
 Declared

I-10 Interior Performance: Not Applicable
I-14 Responsible Sourcing: Not Applicable

OCL-0001
EXP. 01 OCT 2024
Original Issue Date: 2023

Third Party Verified

MANUFACTURED BY OCL FOR PIFE GLOBAL SERVICES
INTERNATIONAL LIVING FUTURE INSTITUTE™ ivfp-future.org/declare

Life expectancy + end of life options
How long will this product last + what do you do with it when you're done with it?

VOC info
Does this product off-gas?

DECLARE: PRODUCT TRANSPARENCY IN MANUFACTURING

Declare is the only label that combines material transparency and the Red List. It distills complex chemical ingredient information into an easy to read label. **Declare** helps specifiers find Red List Free products, which are healthy for people, the environment, and communities.

A product's compliance with the LBC Red List is represented on the **Declare**® label by the product's Declaration Status. There are three Declaration Statuses:

- **DECLARED (RLD)** products disclose 100% of ingredients present in the final product, but contain one or more Red List chemicals that are not covered by an approved exception.
- **LBC RED LIST APPROVED (RLA)** products disclose a minimum of 99% of ingredients present in the final product and meet the LBC Red List Imperative requirements through one or more approved exceptions.
- **LBC RED LIST FREE (RLF)** products disclose 100% of ingredients present at or above 100 ppm (0.01%) in the final product and do not contain any Red List chemicals.

Need more information? Visit oc.com/declare to learn more..

COMMON MODIFICATIONS

WE'RE BUILT FOR OUT-OF-THE-BOX THINKERS.

Nearly 50% of OCL fixtures we manufacture have some type of modification. Here is a list of common modifications we frequently produce. **Please contact the factory for modifications specific to your fixture or project.**

Need some help? Simply send your questions to us at OCL-Quotes@ocl.com

- BIOS, TUNABLE WHITE, WARM-DIM, & RGBW LIGHT SOURCES
- SPECIFIC LUMEN OUTPUT
- MODIFIED CLUSTERS OR CONFIGURATIONS / MULTI-DROP CANOPIES
- VARIOUS SHAPES, ARCS, AND CURVES FOR LINEAR PROFILES AND RINGS
- CEILING OR SURFACE MOUNTING
- LARGE SCALE MODIFICATIONS
- RAL, PANTONE, BRAND-SPECIFIC, RETIRED OCL COLOR, OR CUSTOM FINISHES



- EMERGENCY BATTERY BACKUP OR INVERTER OPTIONS
- REMOTE DRIVERS / EXTENDED DISTANCE REMOTE DRIVERS
- DIMMING TO 0.1% (DIM TO DARK)
- NON-STANDARD SIZES OR LENGTHS
- NON-STANDARD CANOPY, BODY AND/OR CORD COLORS
- SEISMIC AND/OR ANTI-SWAY SYSTEMS
- RIGID STEMS
- MODIFIED OVERALL HEIGHTS (LONGER OR SHORTER OAH)
- UPLIGHT ADDITIONS
- LASER ETCHING, ENGRAVING, AND CUTOUTS

The drawings and specifications and ideas, designs and arrangements represented on these drawings are and shall remain the property of The Original Cast Lighting (OCL Architectural Lighting) and no part thereof shall be copied, disclosed, to others or used in conjunction with any work or project other than the specified project for which they have been prepared and developed, without written consent of OCL. Visual contact with these plans or specifications shall constitute conclusive evidence of acceptance of these restrictions. All specifications and information subject to change without notice.