



# Fiori™

## PENDANT

### FEATURES

- EXCELLENT THERMAL MANAGEMENT IS ACHIEVED THROUGH AN EXTRUDED AND MACHINED ALUMINUM FIXTURE BODY
- 45° CUTOFF AND STEPPED BEZEL MINIMIZES GLARE AND INCREASES VISUAL COMFORT
- VARYING BEAM SPREAD OPTIONS ARE AVAILABLE: NARROW FLOOD [24 DEGREE] OR WIDE FLOOD [50 DEGREE]
- NUMEROUS SECONDARY LENS OPTIONS AVAILABLE



### CATALOG CODES

A	B	C	D	E	F	UNV	H	I	J
SERIES	HANGING SYSTEM	SIZE	REFLECTOR	FINISH	LIGHT SOURCE	VOLTAGE	OAH	CONTROL	OPTIONS

### SPECIFY CATALOG CODE

A	B	C	D	E	
SERIES	HANGING SYSTEM	SIZE	REFLECTOR	FINISH	
<b>FR2</b> <b>FR3</b> <b>FR4</b> <b>FR1</b>	<b>P1CB</b> PENDANT WITH SURFACE MOUNT CANOPY, SINGLE POWER CORD; MOUNTS TO 4X4 OCTAGON J-BOX (BY OTHERS)  <b>P1FC</b> PENDANT WITH FLAT CANOPY, SINGLE POWER CORD; MOUNTS TO OCL RECESSED J-BOX (PROVIDED BY OCL)  <b>P1BD</b> PENDANT WITH EMERGENCY DRIVER IN SURFACE MOUNT CANOPY, SINGLE POWER CORD	<b>B</b> BLACK POWER CORD  <b>W</b> WHITE POWER CORD	<b>08</b> <b>NF</b> NARROW FLOOD [24 DEGREE]  <b>WF</b> WIDE FLOOD [50 DEGREE]	<b>POWDER COAT FINISHES</b> <b>BKP</b> BLACK <b>BMP</b> BRASS METALLIC <b>BNP</b> BRONZE <b>BTP</b> BLACK TEXTURED <b>GRP</b> GRAPHITE <b>GLP</b> GOLDTASTIC <b>MWP</b> MATTE WHITE <b>SGP</b> STEEL GRAY <b>SMP</b> SILVER METALLIC <b>SWP</b> SKY WHITE <b>WTP</b> WHITE TEXTURED	

F			G	H	I	J
LIGHT SOURCE			VOLTAGE	OAH*	CONTROL	OPTIONS
<b>8"</b>			<b>UNV</b> 120-277	<b>48</b> <b>100</b> <b>144</b>	<b>DM1</b> 0-10V DIMMING 1% <b>DM3</b> LUTRON HI-LUME ECOSYSTEM 1% LDEI;	<b>ULD</b> DAMP LABEL <b>BIOS</b> BIOS SKYBLUE™ OR BIOS SKLYBLUE™ DYNAMIC LIGHT ENGINE* <b>HCL</b> HEX CELL LOUVER <b>SFL</b> SOFTENING LENS <b>SPL</b> SPREAD LENS <b>LSL</b> LINEAR SPREAD LENS <b>MOD</b> MODIFIED LUMINAIRE (CONTACT LOCAL REP)
<b>LED OUTPUT</b>	<b>COLOR TEMP</b> (80+ CRI)	<b>COLOR TEMP</b> (90+ CRI)				
<b>LED1</b>	<b>27K</b> <b>30K</b> <b>35K</b> <b>40K</b>	<b>927K</b> <b>930K</b> <b>935K</b> <b>940K</b>				
<b>13"</b>						
<b>LED1</b>	<b>27K</b>	<b>927K</b>				
<b>LED2</b>	<b>30K</b>	<b>930K</b>				
<b>LED3</b>	<b>35K</b> <b>40K</b>	<b>935K</b> <b>940K</b>				

LUMENS AND WATTAGE CHART			
		8"	13"
<b>LED1</b>	LUMENS DELIVERED	1500	1500
	SYSTEM WATTAGE	16	16
<b>LED2</b>	LUMENS DELIVERED	NA	2135
	SYSTEM WATTAGE	NA	26
<b>LED3</b>	LUMENS DELIVERED	NA	2855
	SYSTEM WATTAGE	NA	37

This chart was created for a 35K color temp. Multiply by 0.95 for 27k color temp, 0.97 for 30k color temp, and 1.03 for 40k color temp. Values shown for 80+ CRI. For 90+ CRI lumens use 0.85 multiplier.

SAMPLE CODE: FR2-P1CB-08-WF-BTP-LED1/35K-UNV-36-DMO

\*For minimum OAH, see hanging systems details. Fixture will ship with one of three standard OAH's (48", 100" or 144") field adjustable to the desired height

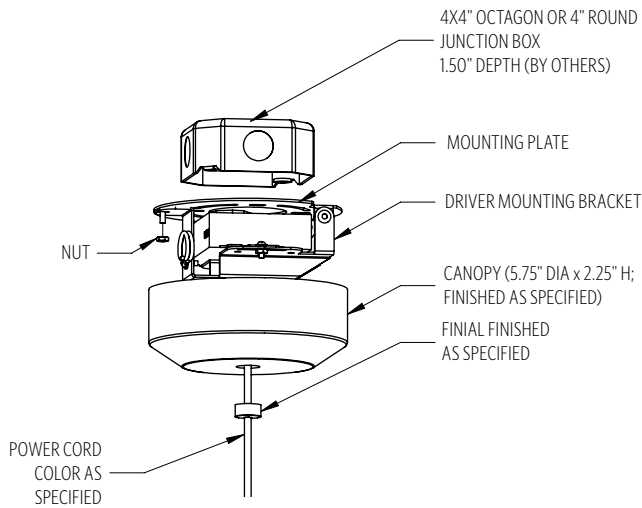
\*\*Contact factory for BIOS SkyBlue® or BIOS SkyBlue® Dynamic light engine and control options.

### MODS, NOTES, & COMMENTS

UP TO **93** LM/W

## HANGING SYSTEM

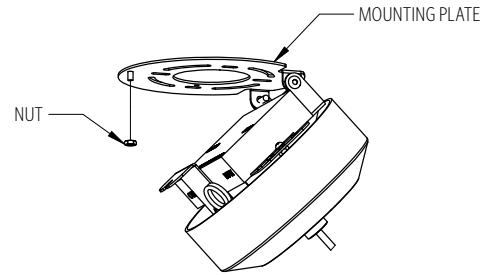
**PICB** PENDANT WITH SURFACE MOUNT CANOPY, SINGLE POWER CORD; MOUNTS TO 4X4 OCTAGON J-BOX (BY OTHERS)



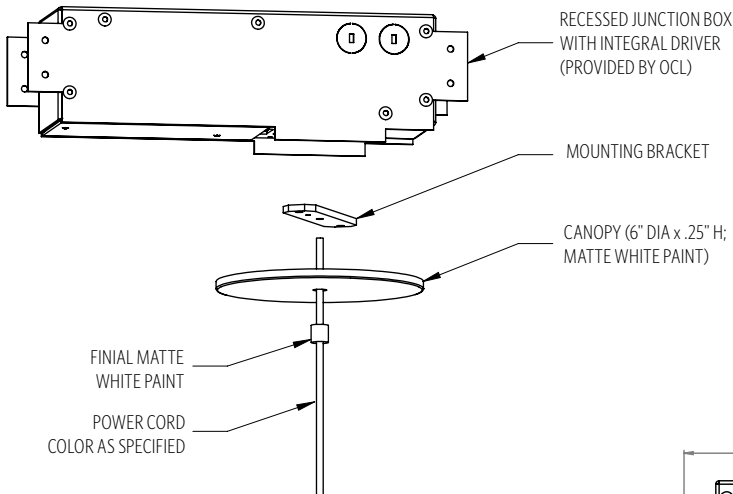
### MOUNTING INFORMATION CHART

LUMINAIRE SIZE	LUMINAIRE WEIGHT	MIN/MAX OAH
8"	6 LBS	15/144"
13"	11 LBS	20/144"

PICB ships with one of three OAH's (48", 100" or 144") and is field adjustable to the desired height.



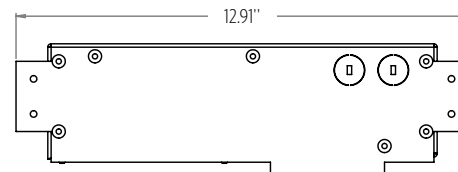
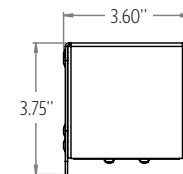
**PIFC** PENDANT WITH FLAT CANOPY, SINGLE POWER CORD; MOUNTS TO OCL RECESSED J-BOX (PROVIDED BY OCL)



### MOUNTING INFORMATION CHART

LUMINAIRE SIZE	LUMINAIRE WEIGHT	MIN/MAX OAH
8"	6 LBS	13/144"
13"	11 LBS	18/144"

PIFC ships with one of three OAH's (48", 100" or 144") and is field adjustable to the desired height.



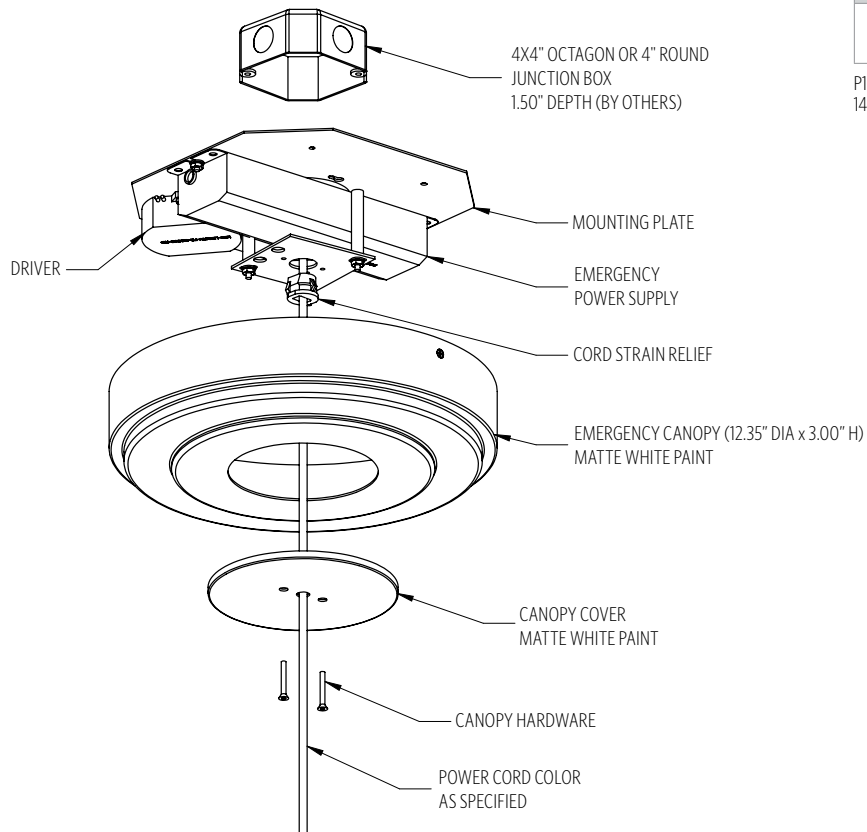
**PROFILE VIEW**  
RECESSED JUNCTION BOX

**PIBD** PENDANT WITH EMERGENCY DRIVER IN SURFACE MOUNT CANOPY, SINGLE POWER CORD

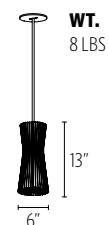
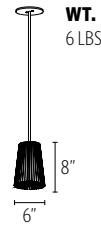
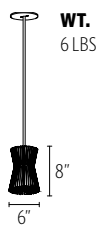
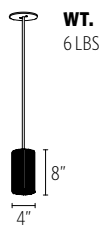
**MOUNTING INFORMATION CHART**

LUMINAIRE SIZE	LUMINAIRE WEIGHT	MIN/MAX OAH
8"	6 LBS	15/144"
13"	11 LBS	20/144"

PIBA ships with one of three OAH's (48", 100" or 144") and is field adjustable to the desired height.

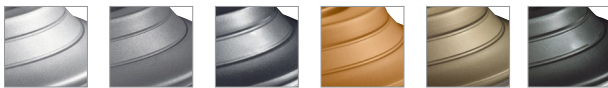


**SIZES**



**FINISH**

**METALLIC POWDER COAT FINISHES:**



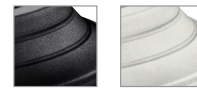
**SMP** SILVER    **GRP** GRAPHITE    **SGP** STEEL GRAY    **GLP** GOLD TASTIC    **BMP** BRASS    **BNP** BRONZE

**SOLID POWDER COAT FINISHES:**



**SWP** SKY WHITE    **MWP** MATTE WHITE    **BKP** BLACK

**TEXTURED POWDER COAT FINISHES:**



**BTP** BLACK TEXTURED    **WTP** WHITE TEXTURED

**RAL®, Pantone® or custom finishes are also available.**

These colors are for reference only. Please be aware that colors may vary per monitor. Contact your local rep for finish samples or with any questions.

## LIGHT SOURCE

LUMENS AND WATTAGE CHART		8"	13"
		<b>LED1</b>	LUMENS DELIVERED
	SYSTEM WATTAGE	16	16
<b>LED2</b>	LUMENS DELIVERED	NA	2135
	SYSTEM WATTAGE	NA	26
<b>LED3</b>	LUMENS DELIVERED	NA	2855
	SYSTEM WATTAGE	NA	37

This chart was created for a 35K color temp. Multiply by 0.95 for 27k color temp, 0.97 for 30k color temp, and 1.03 for 40k color temp. Values shown for 80+ CRI. For 90+ CRI lumens use 0.85 multiplier.

STANDARD COLOR TEMPERATURE OPTIONS	CRI	
2700K	80+	90+
3000K	80+	90+
3500K	80+	90+
4000K	80+	90+

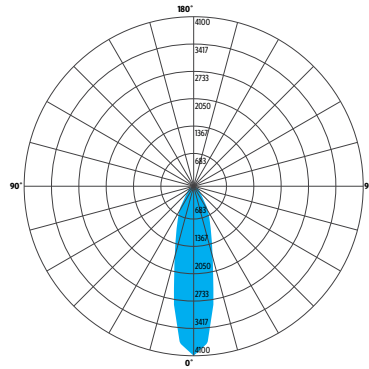
For 80+ CRI - 80 RA, R9 > 0 (10-15 TYP.); For 90+ CRI - 90 RA, R9 > 50

ZONE	NARROW FLOOD		WIDE FLOOD	
	LUMENS	% OF LUMINAIRE	LUMENS	% OF LUMINAIRE
0-30	1187	81%	1112	74%
0-60	1468	99.7%	1499	100%
0-90	1472	100%	1499	100%
90-180	0	0%	0	0%

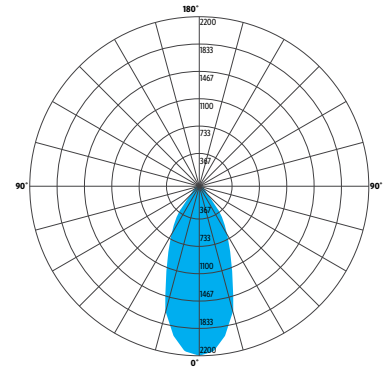
### PHOTOMETRY:

FIXTURE: FRI-PICB-13-NF-PTD-1LD15/35K-120  
 COLOR TEMP #: 3500K  
 OUTPUT: 1500  
 EFFICACY: 93 LM/W  
 TEST REPORT: TEST NO. 18332.0

For all available IES files, please visit our website at ocl.com.



**NARROW FLOOD**



**WIDE FLOOD**

## CONTROL

### DMO 0-10V DIMMING DOWN TO 10%

- 0-10V DIMMING
- 10% MINIMUM DIM LEVEL
- ELECTRONIC DRIVER
- POWER FACTOR >0.9
- THD <20%
- MIN AMBIENT OPERATING TEMPERATURE -31°F
- FIELD REPLACEABLE

### DM1 0-10V DIMMING DOWN TO 1%

- 0-10V DIMMING
- 1% MINIMUM DIMMING LEVEL
- ELECTRONIC DRIVER
- POWER FACTOR >0.9
- THD <20%
- MIN AMBIENT OPERATING TEMPERATURE = -31°F
- FIELD REPLACEABLE

### DM3 LUTRON HI-LUME ECOSYSTEM 1%

- LUTRON DIGITAL ECOSYSTEM DIMMING
- 1% MINIMUM DIMMING LEVEL
- SOFT-ON / FADE-TO-BLACK
- ELECTRONIC DRIVER
- POWER FACTOR >0.9 @ 120V
- THD <23% @ 120V
- MIN AMBIENT OPERATING TEMPERATURE = 32°F
- FIELD REPLACEABLE

## OPTIONS

### ULD DAMP LABEL LUMINAIRE

- MAY BE USED IN AN OUTDOOR AREA THAT IS PROTECTED FROM DIRECT CONTACT WITH WIND, RAIN, SNOW OR EXCESSIVE MOISTURE

### BIOS

- **BIOS SKYBLUE™ DYNAMIC** LIGHT ENGINE IS DIMMABLE AND FEATURES A SIMPLE APPROACH TO CIRCADIAN LIGHTING CONTROLS.
- WHEN PAIRED WITH THE BIOS BIO-DIMMING MODULE, IT OPERATES USING ANY SINGLE CHANNEL CONSTANT CURRENT (CC) LED DRIVER AND CAN BE USED WITH ANY STANDARD DIMMING INTERFACE/PROTOCOL (0-10V, ELV, DMX, WIRELESS) AND COULD WORK WITH EXISTING TWO-CHANNEL CONTROL SYSTEMS AS WELL.
- VISIT [OCL.COM/BIOS](http://OCL.COM/BIOS) FOR MORE INFORMATION

### HCL HEX CELL LOUVER

- PROVIDES A 45° VISUAL CUT-OFF TO HELP REDUCE GLARE

### SFL SOFTENING LENS

- TEXTURED LENS THAT SOFTENS AND SPREADS BEAM

### SPL SPREAD LENS

- DIRECTS THE LAMP BEAM TO CREATE A DIFFUSED SPREAD IN AN EVEN PATTERN IN ALL DIRECTIONS

### LSL LINEAR SPREAD LENS

- PRODUCES ASYMMETRICAL LIGHT DISTRIBUTION, CREATING AN OVAL OF LIGHT

### MOD MODIFIED LUMINAIRE

- LUMINAIRE IS MODIFIED FROM STANDARD OPTIONS; CONTACT LOCAL REP FOR MORE INFORMATION

## SPECIFICATIONS

### CONSTRUCTION

- FIXTURE IS EXTRUDED AND MACHINED ALUMINUM
- HANGING SYSTEMS USE STEEL OR ALUMINUM CANOPIES
- HARDWARE IS ZINC PLATED OR STAINLESS STEEL
- CORD IS PREMIUM BRAIDED CLOTH OVER INSULATED HOUSING

### MOUNTING

- **P1CB** & **P1BD** ALL MOUNT TO 4X4" OCTAGON OR 4" ROUND J-BOX (BY OTHER)
- **P1FC** MOUNTS TO OCL PROPRIETARY RECESSED J-BOX WITH INTEGRAL DRIVER (PROVIDED BY OCL)

### ELECTRICAL

- DIMMING ELECTRONIC DRIVER(S), COMES STANDARD WITH 0-10V DOWN TO 1%
- 0-10V DOWN TO 1% AND LUTRON ECOSYSTEM (LDE1) 1% ALSO AVAILABLE AS MODIFICATION (REQUIRES REMOTE DRIVERS)
- BRIDGELUX COB
- LUMINAIRE CONNECTS TO BUILDING SUPPLY (120V-277V 50/60HZ) UNLESS DRIVERS ARE REMOTE
- **P1BD** WILL COME STANDARD WITH A 5W CONSTANT POWER EMERGENCY DRIVER

### LISTING

- ETL LISTED TO UL 1598 FOR DRY LOCATIONS; DAMP LOCATION LISTED IS OPTION

### WARRANTY

- 5 YEAR; ALL ELECTRICAL COMPONENTS RETAIN THE MANUFACTURER'S WARRANTY

### BUILD AMERICA, BUY AMERICA (BABA)

- THIS PRODUCT MEETS THE GUIDELINES FOR THE BUILD AMERICA, BUY AMERICA ACT. **SOME EXCLUSIONS APPLY.** FOR MORE INFORMATION AND A FULL LIST OF ELIGIBLE SKUS, VISIT [OCL.COM/BABA](http://OCL.COM/BABA)

### SUSTAINABILITY

- **BIOS** LIGHTING CONTRIBUTES TOWARD THE CIRCADIAN LIGHTING DESIGN FEATURE 54 UNDER THE **WELL BUILDING STANDARD™ V1** AND FEATURE L03 UNDER THE **WELL BUILDING STANDARD V2**
- THIS PRODUCT MEETS THE MATERIAL RESTRICTIONS OF ARTICLE 4 OF THE **ROHS** DIRECTIVE (2011/65/EU), INCLUDING COMMISSION DELEGATED DIRECTIVE 2015/863

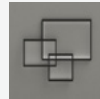
## COMMON MODIFICATIONS

### WE'RE BUILT FOR OUT-OF-THE-BOX THINKERS.

Nearly 50% of OCL fixtures we manufacture have some type of modification. Here is a list of common modifications we frequently produce. **Please contact the factory for modifications specific to your fixture or project.**

Need some help? Simply send your questions to us at [OCL-Quotes@ocl.com](mailto:OCL-Quotes@ocl.com)

- BIOS, TUNABLE WHITE, WARM-DIM, & RGBW LIGHT SOURCES
- SPECIFIC LUMEN OUTPUT
- MODIFIED CLUSTERS OR CONFIGURATIONS / MULTI-DROP CANOPIES
- VARIOUS SHAPES, ARCS, AND CURVES FOR LINEAR PROFILES AND RINGS
- CEILING OR SURFACE MOUNTING
- LARGE SCALE MODIFICATIONS
- RAL, PANTONE, BRAND-SPECIFIC, RETIRED OCL COLOR, OR CUSTOM FINISHES



- EMERGENCY BATTERY BACKUP OR INVERTER OPTIONS
- REMOTE DRIVERS / EXTENDED DISTANCE REMOTE DRIVERS
- DIMMING TO 0.1% (DIM TO DARK)
- NON-STANDARD SIZES OR LENGTHS
- NON-STANDARD CANOPY, BODY AND/OR CORD COLORS
- SEISMIC AND/OR ANTI-SWAY SYSTEMS
- RIGID STEMS
- MODIFIED OVERALL HEIGHTS (LONGER OR SHORTER OAH)
- UPLIGHT ADDITIONS
- LASER ETCHING, ENGRAVING, AND CUTOUTS

The drawings and specifications and ideas, designs and arrangements represented on these drawings are and shall remain the property of The Original Cast Lighting (OCL Architectural Lighting) and no part thereof shall be copied, disclosed, to others or used in conjunction with any work or project other than the specified project for which they have been prepared and developed, without written consent of OCL. Visual contact with these plans or specifications shall constitute conclusive evidence of acceptance of these restrictions. All specifications and information subject to change without notice.