



Fiori™

PENDANT

FEATURES

- EXCELLENT THERMAL MANAGEMENT IS ACHIEVED THROUGH AN EXTRUDED AND MACHINED ALUMINUM FIXTURE BODY
- 45° CUTOFF AND STEPPED BEZEL MINIMIZES GLARE AND INCREASES VISUAL COMFORT
- VARYING BEAM SPREAD OPTIONS ARE AVAILABLE: NARROW FLOOD [24 DEGREE] OR WIDE FLOOD [50 DEGREE]
- NUMEROUS SECONDARY LENS OPTIONS AVAILABLE



CATALOG CODES

A	B	C	D	E	F	UNV	H	I	J
SERIES	HANGING SYSTEM	SIZE	REFLECTOR	FINISH	LIGHT SOURCE	VOLTAGE	OAH	CONTROL	OPTIONS

SPECIFY CATALOG CODE

A	B	C	D	E	
SERIES	HANGING SYSTEM	SIZE	REFLECTOR	FINISH	
FR2 FR3 FR4 FR1	P1CB PENDANT WITH SURFACE MOUNT CANOPY, SINGLE POWER CORD; MOUNTS TO 4X4 OCTAGON J-BOX (BY OTHERS) P1FC PENDANT WITH FLAT CANOPY, SINGLE POWER CORD; MOUNTS TO OCL RECESSED J-BOX (PROVIDED BY OCL) P1BD PENDANT WITH EMERGENCY DRIVER IN SURFACE MOUNT CANOPY, SINGLE POWER CORD	B BLACK BRAIDED POWER CORD W WHITE BRAIDED POWER CORD	08 NF NARROW FLOOD [24 DEGREE] WF WIDE FLOOD [50 DEGREE]	POWDER COAT FINISHES BKP BLACK BMP BRASS METALLIC BNP BRONZE BTP BLACK TEXTURED GRP GRAPHITE GLP GOLDTASTIC MWP MATTE WHITE SGP STEEL GRAY SMP SILVER METALLIC SWP SKY WHITE WTP WHITE TEXTURED	

F	G	I	J											
LIGHT SOURCE	VOLTAGE	OAH*	CONTROL	OPTIONS										
8" <table border="1"> <tr> <th>LED OUTPUT</th><th>COLOR TEMP</th> </tr> <tr> <td>LED1</td><td>27K</td> </tr> <tr> <td></td><td>30K</td> </tr> <tr> <td></td><td>35K</td> </tr> <tr> <td></td><td>40K</td> </tr> </table>	LED OUTPUT	COLOR TEMP	LED1	27K		30K		35K		40K	UNV 120-277	48 100 144	DM1 0-10V DIMMING 1% DM3 LUTRON HI-LUME ECOSYSTEM 1% LDEI;	ULD DAMP LABEL HCL HEX CELL LOUVER SFL SOFTENING LENS SPL SPREAD LENS LSL LINEAR SPREAD LENS MOD MODIFIED LUMINAIRE (CONTACT LOCAL REP)
LED OUTPUT	COLOR TEMP													
LED1	27K													
	30K													
	35K													
	40K													
13" <table border="1"> <tr> <th>LED1</th><th>27K</th> </tr> <tr> <th>LED2</th><th>30K</th> </tr> <tr> <th>LED3</th><th>35K</th> </tr> <tr> <td></td><td>40K</td> </tr> </table>	LED1	27K	LED2	30K	LED3	35K		40K						
LED1	27K													
LED2	30K													
LED3	35K													
	40K													

*For minimum OAH, see hanging systems details. Fixture will ship with one of three standard OAH's (48", 100" or 144") field adjustable to the desired height

LUMENS AND WATTAGE CHART		8"	13"
LED1	LUMENS DELIVERED	1500	1500
	SYSTEM WATTAGE	16	16
LED2	LUMENS DELIVERED	NA	2135
	SYSTEM WATTAGE	NA	26
LED3	LUMENS DELIVERED	NA	2855
	SYSTEM WATTAGE	NA	37

UP TO **93** LM/W

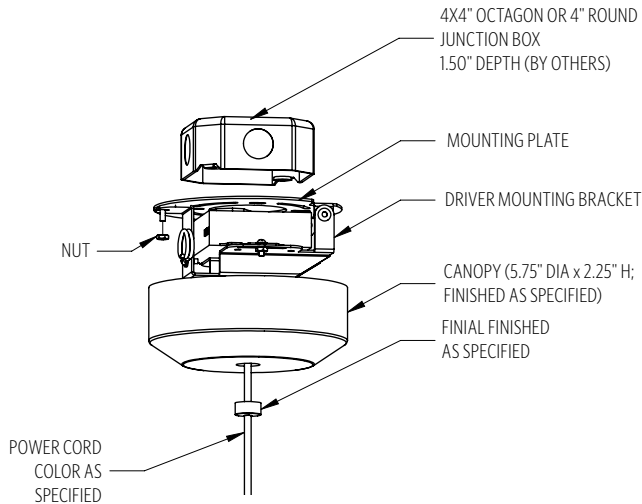
This chart was created for a 35K color temp. Multiply by 0.95 for 27k color temp, 0.97 for 30k color temp, and 1.03 for 40k color temp.

SAMPLE CODE: FR2-P1CB-08-WF-BTP-LED1/35K-UNV-36-DMO

MODS, NOTES, & COMMENTS

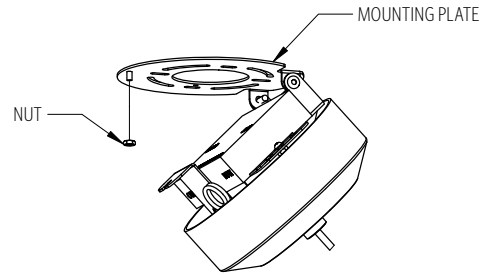
HANGING SYSTEM

PICB PENDANT WITH SURFACE MOUNT CANOPY, SINGLE POWER CORD; MOUNTS TO 4X4 OCTAGON J-BOX (BY OTHERS)

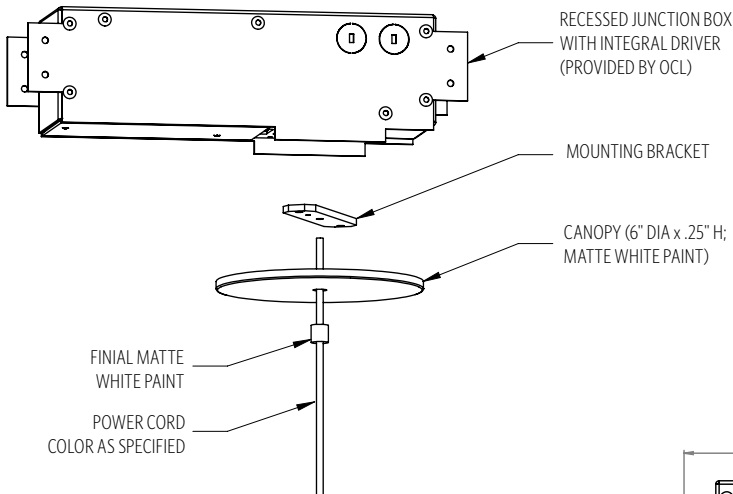


MOUNTING INFORMATION CHART		
LUMINAIRE SIZE	LUMINAIRE WEIGHT	MIN/MAX OAH
8"	6 LBS	15/144"
13"	11 LBS	20/144"

PICB ships with one of three OAH's (48", 100" or 144") and is field adjustable to the desired height.

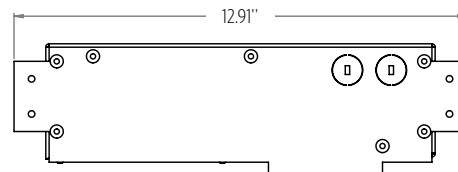
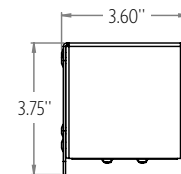


PIFC PENDANT WITH FLAT CANOPY, SINGLE POWER CORD; MOUNTS TO OCL RECESSED J-BOX (PROVIDED BY OCL)



MOUNTING INFORMATION CHART		
LUMINAIRE SIZE	LUMINAIRE WEIGHT	MIN/MAX OAH
8"	6 LBS	13/144"
13"	11 LBS	18/144"

PIFC ships with one of three OAH's (48", 100" or 144") and is field adjustable to the desired height.



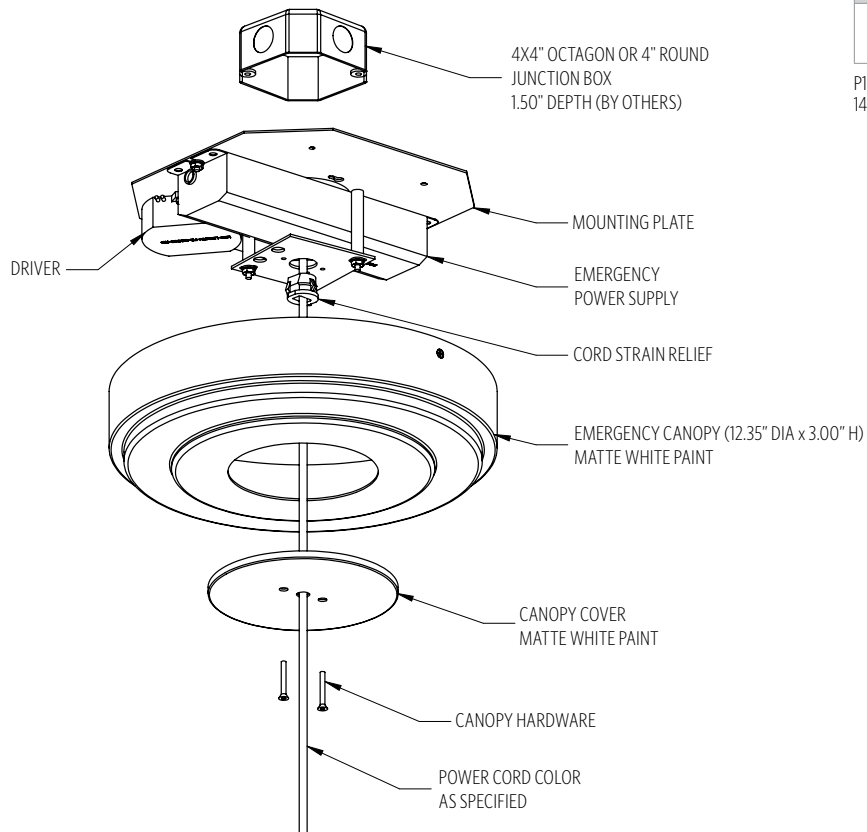
PROFILE VIEW
RECESSED JUNCTION BOX

PIBD PENDANT WITH EMERGENCY DRIVER IN SURFACE MOUNT CANOPY, SINGLE POWER CORD

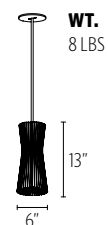
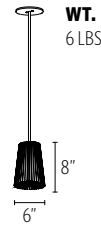
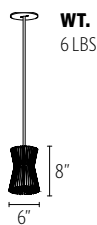
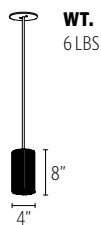
MOUNTING INFORMATION CHART

LUMINAIRE SIZE	LUMINAIRE WEIGHT	MIN/MAX OAH
8"	6 LBS	15/144"
13"	11 LBS	20/144"

PIBA ships with one of three OAH's (48", 100" or 144") and is field adjustable to the desired height.

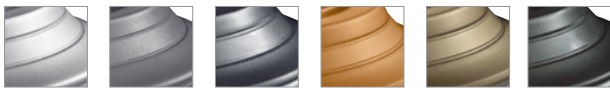


SIZES



FINISH

METALLIC POWDER COAT FINISHES:



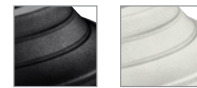
SMP SILVER **GRP** GRAPHITE **SGP** STEEL GRAY **GLP** GOLD TASTIC **BMP** BRASS **BNP** BRONZE

SOLID POWDER COAT FINISHES:



SWP SKY WHITE **MWP** MATTE WHITE **BKP** BLACK

TEXTURED POWDER COAT FINISHES:



BTP BLACK TEXTURED **WTP** WHITE TEXTURED

RAL®, Pantone® or custom finishes are also available.

These colors are for reference only. Please be aware that colors may vary per monitor. Contact your local rep for finish samples or with any questions.

LIGHT SOURCE

LUMENS AND WATTAGE CHART		8"	
		8"	13"
LED1	LUMENS DELIVERED	1500	1500
	SYSTEM WATTAGE	16	16
LED2	LUMENS DELIVERED	NA	2135
	SYSTEM WATTAGE	NA	26
LED3	LUMENS DELIVERED	NA	2855
	SYSTEM WATTAGE	NA	37

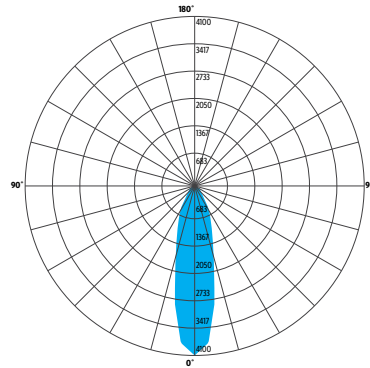
This chart was created for a 35K color temp. Multiply by 0.95 for 27k color temp, 0.97 for 30k color temp, and 1.03 for 40k color temp.

STANDARD COLOR TEMPERATURE OPTIONS	CRI (RA)
2700K	80+
3000K	80+
3500K	80+
4000K	80+

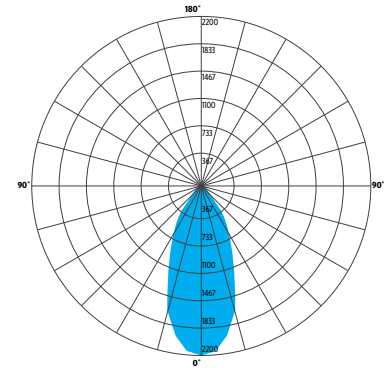
ZONE	NARROW FLOOD		WIDE FLOOD	
	LUMENS	% OF LUMINAIRE	LUMENS	% OF LUMINAIRE
0-30	1187	81%	1112	74%
0-60	1468	99.7%	1499	100%
0-90	1472	100%	1499	100%
90-180	0	0%	0	0%

PHOTOMETRY:

FIXTURE: FRI-PICB-13-NF-PTD-1LD15/35K-120
 COLOR TEMP #: 3500K
 OUTPUT: 1500
 EFFICACY: 93 LM/W
 TEST REPORT: TEST NO. 18332.0



NARROW FLOOD



WIDE FLOOD

For all available IES files, please visit our website at ocl.com.

CONTROL

DMO 0-10V DIMMING DOWN TO 10%

- 0-10V DIMMING
- 10% MINIMUM DIM LEVEL
- ELECTRONIC DRIVER
- POWER FACTOR >0.9
- THD <20%
- MIN AMBIENT OPERATING TEMPERATURE -31°F
- FIELD REPLACEABLE

DM1 0-10V DIMMING DOWN TO 1%

- 0-10V DIMMING
- 1% MINIMUM DIMMING LEVEL
- ELECTRONIC DRIVER
- POWER FACTOR >0.9
- THD <20%
- MIN AMBIENT OPERATING TEMPERATURE = -31°F
- FIELD REPLACEABLE

DM3 LUTRON HI-LUME ECOSYSTEM 1%

- LUTRON DIGITAL ECOSYSTEM DIMMING
- 1% MINIMUM DIMMING LEVEL
- SOFT-ON / FADE-TO-BLACK
- ELECTRONIC DRIVER
- POWER FACTOR >0.9 @ 120V
- THD <23% @ 120V
- MIN AMBIENT OPERATING TEMPERATURE = 32°F
- FIELD REPLACEABLE

OPTIONS

ULD DAMP LABEL LUMINAIRE

- MAY BE USED IN AN OUTDOOR AREA THAT IS PROTECTED FROM DIRECT CONTACT WITH WIND, RAIN, SNOW OR EXCESSIVE MOISTURE

HCL HEX CELL LOUVER

- PROVIDES A 45° VISUAL CUT-OFF TO HELP REDUCE GLARE

SFL SOFTENING LENS

- TEXTURED LENS THAT SOFTENS AND SPREADS BEAM

SPL SPREAD LENS

- DIRECTS THE LAMP BEAM TO CREATE A DIFFUSED SPREAD IN AN EVEN PATTERN IN ALL DIRECTIONS

LSL LINEAR SPREAD LENS

- PRODUCES ASYMMETRICAL LIGHT DISTRIBUTION, CREATING AN OVAL OF LIGHT

MOD MODIFIED LUMINAIRE

- LUMINAIRE IS MODIFIED FROM STANDARD OPTIONS; CONTACT LOCAL REP FOR MORE INFORMATION

SPECIFICATIONS

CONSTRUCTION

- FIXTURE IS EXTRUDED AND MACHINED ALUMINUM
- HANGING SYSTEMS USE STEEL OR ALUMINUM CANOPIES
- HARDWARE IS ZINC PLATED OR STAINLESS STEEL
- CORD IS PREMIUM BRAIDED CLOTH OVER INSULATED HOUSING

MOUNTING

- **PICB & PIBD** ALL MOUNT TO 4X4" OCTAGON OR 4" ROUND J-BOX (BY OTHER)
- **PIFC** MOUNTS TO OCL PROPRIETARY RECESSED J-BOX WITH INTEGRAL DRIVER (PROVIDED BY OCL)

ELECTRICAL

- DIMMING ELECTRONIC DRIVER(S), COMES STANDARD WITH 0-10V DOWN TO 1%
- 0-10V DOWN TO 1% AND LUTRON ECOSYSTEM (LDE1) 1% ALSO AVAILABLE AS MODIFICATION (REQUIRES REMOTE DRIVERS)
- BRIDGELUX COB
- LUMINAIRE CONNECTS TO BUILDING SUPPLY (120V-277V 50/60HZ) UNLESS DRIVERS ARE REMOTE
- **PIBD** WILL COME STANDARD WITH A 5W CONSTANT POWER EMERGENCY DRIVER

LISTING

- ETL LISTED TO UL 1598 FOR DRY LOCATIONS; DAMP LOCATION LISTED IS OPTION

WARRANTY

- 5 YEAR; ALL ELECTRICAL COMPONENTS RETAIN THE MANUFACTURER'S WARRANTY

The drawings and specifications and ideas, designs and arrangements represented on these drawings are and shall remain the property of The Original Cast Lighting (OCL Architectural Lighting) and no part thereof shall be copied, disclosed, to others or used in conjunction with any work or project other than the specified project for which they have been prepared and developed, without written consent of OCL. Visual contact with these plans or specifications shall constitute conclusive evidence of acceptance of these restrictions. All specifications and information subject to change without notice.