

# Element™

SCENCE/OUTDOOR

**FEATURES**

- AVAILABLE IN 80+ CRI AND 90+ CRI (R9>50)
- THE ELEMENT FEATURES AN EXTRUDED ALUMINUM BACK CHANNEL 2.50" WIDE AND 0.125" THICK WITH A MATTE ANODIZED SURFACE
- FEATURES SOLID ALUMINUM DIE-CAST ENDS
- 3/16" THICK EXTRUDED VIRGIN WHITE ACRYLIC IS 45% DR HIGH IMPACT, UV STABLE, F1 RATED, AND UL-94 HB FLAME CLASS RATED
- ELEMENT CAN BE MOUNTED VERTICALLY OR HORIZONTALLY
- TAMPER-PROOF STAINLESS STEEL SCREWS AVAILABLE AS AN OPTION



**CATALOG CODES**

<b>EL1</b>	-	<b>B</b>	-	<b>C</b>	-	<b>D</b>	-	<b>E</b>	-	<b>F</b>	-	<b>UNV</b>	-	<b>DM1</b>	-	<b>I</b>
SERIES		HANGING SYSTEM		SIZE		DIFFUSER		FINISH		LIGHT SOURCE		VOLTAGE		CONTROL		OPTIONS

**SPECIFY CATALOG CODE**

A		B		C	D		E	
SERIES		HANGING SYSTEM		SIZE	DIFFUSER		FINISH	
 <b>EL1</b> ELEMENT	<b>S1SA</b>	INDOOR ADA COMPLIANT SCENCE		<b>24</b>	<b>GW</b>	GLOSS WHITE ACRYLIC <b>NOTE: REQUIRED FOR 010A</b>		<b>POWDER COAT FINISHES</b> <b>BKP</b> BLACK <b>BMP</b> BRASS METALLIC <b>BNP</b> BRONZE <b>BTP</b> BLACK TEXTURED <b>GRP</b> GRAPHITE <b>GLP</b> GOLDTASTIC <b>MWP</b> MATTE WHITE <b>SGP</b> STEEL GRAY <b>SMP</b> SILVER METALLIC <b>SWP</b> SKY WHITE <b>WTP</b> WHITE TEXTURED
	<b>010A</b>	OUTDOOR ADA COMPLIANT SCENCE		<b>36</b>	<b>MW</b>	MATTE WHITE ACRYLIC		
				<b>48</b>				
				<b>60</b>				

F			G	H		I	
LIGHT SOURCE			VOLTAGE	CONTROL		OPTIONS	
<b>LED OUTPUT</b>	<b>COLOR TEMP</b> (80+ CRI)	<b>COLOR TEMP</b> (90+ CRI)	<b>UNV 120-277</b>	<b>DM1</b>	0-10V DIMMING 1%		<b>SJB</b> MOUNTING COVER FOR STANDARD 4" J-BOX <b>TPS</b> TAMPER PROOF SCREWS <b>ULD</b> DAMP LABEL ( <b>NOTE: S1SA ONLY</b> ) <b>BIOS</b> BIOS SKYBLUE™ OR BIOS SKLYBLUE™ DYNAMIC LIGHT ENGINE* <b>MOD</b> MODIFIED LUMINAIRE (CONTACT LOCAL REP)
<b>LED1</b>	<b>27K</b>	<b>927K</b>					
<b>LED2</b>	<b>30K</b>	<b>930K</b>					
	<b>35K</b>	<b>935K</b>					
	<b>40K</b>	<b>940K</b>					

SAMPLE CODE: EL1-C1NA-24-GW-WTP-LED1/27K-UNV-DM1

\*Contact factory for BIOS SkyBlue® or BIOS SkyBlue® Dynamic light engine and control options.

UP TO **63** LM/W

**LUMENS AND WATTAGE CHART**

		24"	36"	48"	60"
<b>LED1</b>	LUMENS DELIVERED	950	1450	2000	2500
	SYSTEM WATTAGE	15	25	35	40
<b>LED2</b>	LUMENS DELIVERED	1150	1800	2450	3100
	SYSTEM WATTAGE	20	30	40	55

This chart was created for a 35K color temp. Multiply by 0.95 for 27k color temp, 0.97 for 30k color temp, and 1.03 for 40k color temp. Wattage and lumen data approx. pending LM-79 testing. Values shown for 80+ CRI. For 90+ CRI lumens use 0.85 multiplier.

**MODS, NOTES, & COMMENTS**

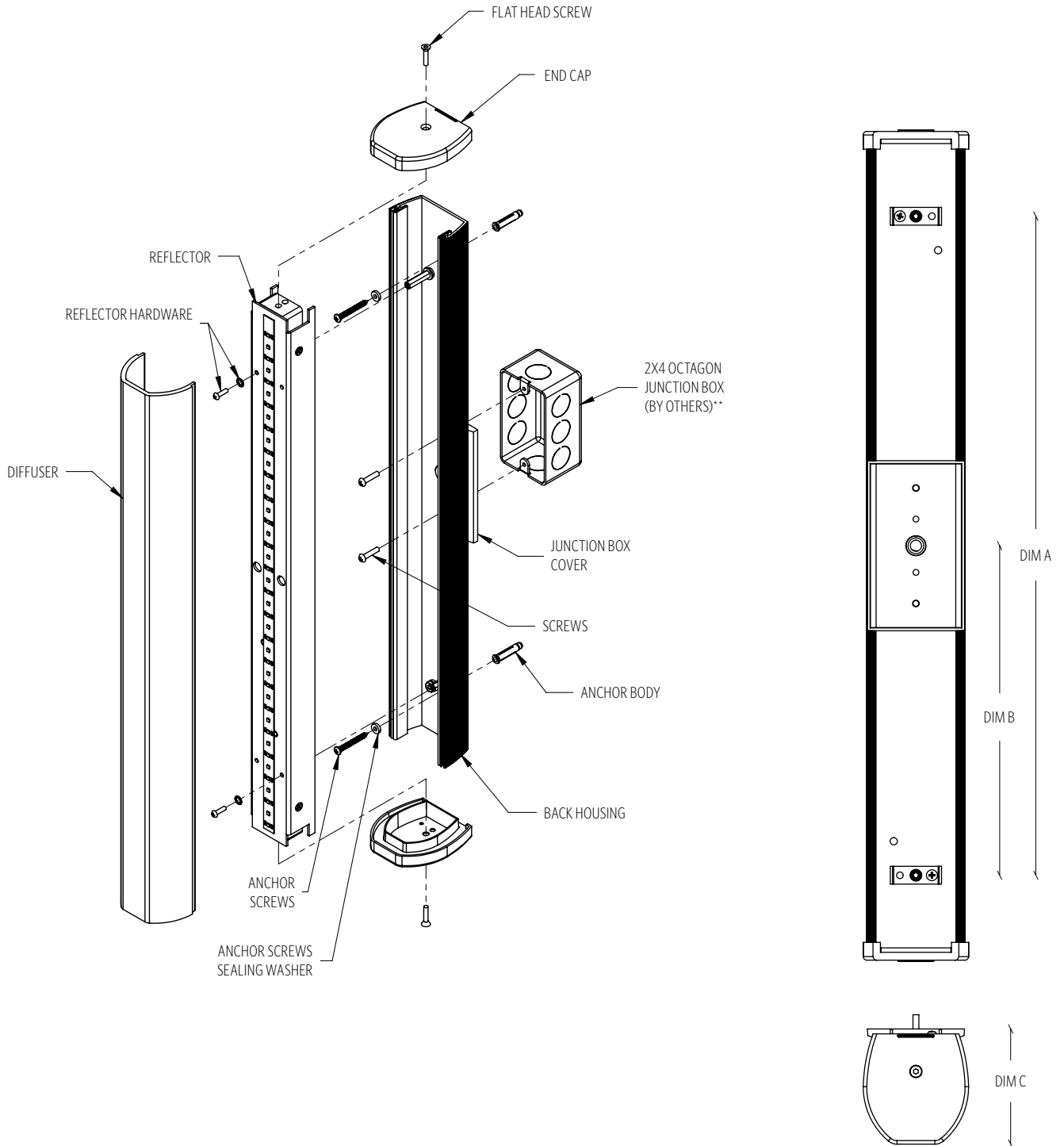
## HANGING SYSTEM

**SISA** INDOOR ADA COMPLIANT SCNCE

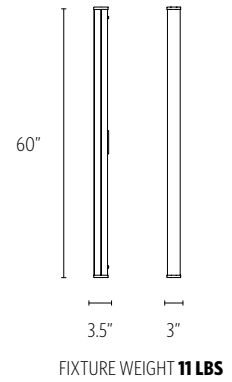
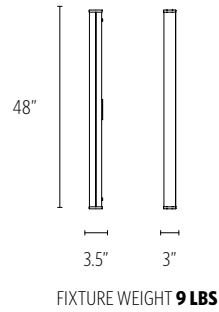
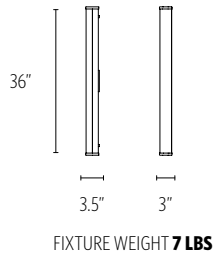
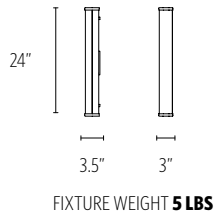
**010A** OUTDOOR ADA COMPLIANT SCNCE

**MOUNTING INFORMATION CHART**

LUMINAIRE DIAMETER	LUMINAIRE WEIGHT	MOUNTING DISTANCE DIM A	MOUNTING DISTANCE DIM B	MOUNTING DISTANCE DIM C	MOUNTING POINTS
24"	5 LBS	18.5625"	9.2500"	3.25"	3
36"	7LBS	30.3125"	15.1875"	3.25"	3
48"	9 LBS	42.2500"	21.125"	3.25"	3
60"	11 LBS	54.0625"	27.000"	3.25"	3



## SIZES



## DIFFUSER



## FINISH

### METALLIC POWDER COAT FINISHES:



**RAL<sup>®</sup>, Pantone<sup>®</sup> or custom finishes are also available.**

These colors are for reference only. Please be aware that colors may vary per monitor. Contact your local rep for finish samples or with any questions.

### SOLID POWDER COAT FINISHES:



### TEXTURED POWDER COAT FINISHES:



## LIGHT SOURCE

### LUMENS AND WATTAGE CHART

		24"	36"	48"	60"
<b>LED1</b>	LUMENS DELIVERED	950	1450	2000	2500
	SYSTEM WATTAGE	15	25	35	40
<b>LED2</b>	LUMENS DELIVERED	1150	1800	2450	3100
	SYSTEM WATTAGE	20	30	40	55

This chart was created for a 35K color temp. Multiply by 0.95 for 27k color temp, 0.97 for 30k color temp, and 1.03 for 40k color temp. Wattage and lumen data approx. pending LM-79 testing. Values shown for 80+ CRI. For 90+ CRI lumens use 0.85 multiplier.

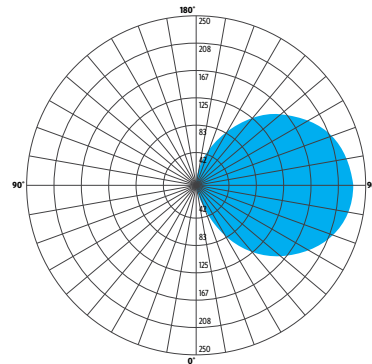
STANDARD COLOR TEMPERATURE OPTIONS	CRI (RA)	
	2700K	80+
3000K	80+	90+
3500K	80+	90+
4000K	80+	90+

NARROW FLOOD		
ZONE	LUMENS	% OF LUMINAIRE
0-30	27	2%
0-60	256T	18%
0-90	720	49%
90-180	727	51%
0-180	1447	100%

### PHOTOMETRY:

FIXTURE: EL1-S1SA-36 LED1  
COLOR TEMP #: 3500K  
EFFICACY: 63 LM/W  
TEST REPORT: TEST NO.13768

For all available IES files, please visit our website at [ocl.com](http://ocl.com).



**EL1**

## CONTROL

### DM1 0-10V DIMMING DOWN TO 1%

- 0-10V DIMMING
- 1% MINIMUM DIMMING LEVEL
- ELECTRONIC DRIVER
- POWER FACTOR >0.9
- THD <20%
- MIN AMBIENT OPERATING TEMPERATURE = -31°F
- FIELD REPLACEABLE

## OPTIONS

### SJB MOUNTING COVER FOR STANDARD 4" J-BOX

- 5"X5" COVER PLATE FOR STANDARD 4"X4" JUNCTION BOX
- DIE CAST ALUMINUM
- BRUSHED ALUMINUM (BAL) FINISH



### TPS TAMPER PROOF SCREWS

- TAMPER-PROOF STAINLESS STEEL SCREWS AVAILABLE AS AN OPTION.

### ULD DAMP LABEL LUMINAIRE

- MAY BE USED IN AN OUTDOOR AREA THAT IS PROTECTED FROM DIRECT CONTACT WITH WIND, RAIN, SNOW OR EXCESSIVE MOISTURE (**NOTE: SISA ONLY**)

### MOD MODIFIED LUMINAIRE

- LUMINAIRE IS MODIFIED FROM STANDARD OPTIONS; CONTACT LOCAL REP FOR MORE INFORMATION

### BIOS

- **BIOS SKYBLUE™ DYNAMIC** LIGHT ENGINE IS DIMMABLE AND FEATURES A SIMPLE APPROACH TO CIRCADIAN LIGHTING CONTROLS.
- WHEN PAIRED WITH THE BIOS BIO-DIMMING MODULE, IT OPERATES USING ANY SINGLE CHANNEL CONSTANT CURRENT (CC) LED DRIVER AND CAN BE USED WITH ANY STANDARD DIMMING INTERFACE/PROTOCOL (0-10V, ELV, DMX, WIRELESS) AND COULD WORK WITH EXISTING TWO-CHANNEL CONTROL SYSTEMS AS WELL.
- VISIT [OCL.COM/BIOS](http://OCL.COM/BIOS) FOR MORE INFORMATION

## SPECIFICATIONS

### CONSTRUCTION

- EXTRUDED AND MACHINED ALUMINUM BODY
- ALUMINUM DIE-CAST ENDS
- HARDWARE IS ZINC PLATED OR STAINLESS STEEL

### MOUNTING

- **SISA** OR **O10A** MOUNT TO 2X4" J-BOX (BY OTHER)

### ELECTRICAL

- DIMMING ELECTRONIC DRIVER(S), COMES STANDARD WITH 0-10V DOWN TO 1%
- 0-10V DOWN TO 1% AND LUTRON ECOSYSTEM (LDE1) 1% ALSO AVAILABLE AS MODIFICATION (REQUIRES REMOTE DRIVERS)
- OCL PROPRIETARY LED ARRAYS USE NICHIA 757 DIODES
- LUMINAIRE CONNECTS TO BUILDING SUPPLY (120V-277V 50/60HZ) UNLESS DRIVERS ARE REMOTE

### LISTING

- **SISA** ETL LISTED TO UL 1598 FOR DRY LOCATIONS; **ULD** DAMP LOCATION LISTED IS OPTION; **O10A** ETL LISTED TO UL 1598 FOR WET LOCATION

### WARRANTY

- 5 YEAR; ALL ELECTRICAL COMPONENTS RETAIN THE MANUFACTURER'S WARRANTY

### SUSTAINABILITY

- **BIOS** LIGHTING CONTRIBUTES TOWARD THE CIRCADIAN LIGHTING DESIGN FEATURE 54 UNDER THE **WELL BUILDING STANDARD™ V1** AND FEATURE L03 UNDER THE **WELL BUILDING STANDARD V2**

## COMMON MODIFICATIONS

### WE'RE BUILT FOR OUT-OF-THE-BOX THINKERS.

Nearly 50% of OCL fixtures we manufacture have some type of modification. Here is a list of common modifications we frequently produce. **Please contact the factory for modifications specific to your fixture or project.**

Need some help? Simply send your questions to us at [OCL-Quotes@ocl.com](mailto:OCL-Quotes@ocl.com)

- BIOS, TUNABLE WHITE, WARM-DIM, & RGBW LIGHT SOURCES
- SPECIFIC LUMEN OUTPUT
- MODIFIED CLUSTERS OR CONFIGURATIONS / MULTI-DROP CANOPIES
- VARIOUS SHAPES, ARCS, AND CURVES FOR LINEAR PROFILES AND RINGS
- CEILING OR SURFACE MOUNTING
- LARGE SCALE MODIFICATIONS
- RAL, PANTONE, BRAND-SPECIFIC, RETIRED OCL COLOR, OR CUSTOM FINISHES



- EMERGENCY BATTERY BACKUP OR INVERTER OPTIONS
- REMOTE DRIVERS / EXTENDED DISTANCE REMOTE DRIVERS
- DIMMING TO 0.1% (DIM TO DARK)
- NON-STANDARD SIZES OR LENGTHS
- NON-STANDARD CANOPY, BODY AND/OR CORD COLORS
- SEISMIC AND/OR ANTI-SWAY SYSTEMS
- RIGID STEMS
- MODIFIED OVERALL HEIGHTS (LONGER OR SHORTER OAH)
- UPLIGHT ADDITIONS
- LASER ETCHING, ENGRAVING, AND CUTOUTS

The drawings and specifications and ideas, designs and arrangements represented on these drawings are and shall remain the property of The Original Cast Lighting (OCL Architectural Lighting) and no part thereof shall be copied, disclosed, to others or used in conjunction with any work or project other than the specified project for which they have been prepared and developed, without written consent of OCL. Visual contact with these plans or specifications shall constitute conclusive evidence of acceptance of these restrictions. All specifications and information subject to change without notice.