



Duo™

SCNCE


FEATURES

- SIMPLE, LINEAR PROFILE WITH DUAL DIRECTION ILLUMINATION, ACRYLIC TOP AND BOTTOM LENSES
- FIELD REPLACEMENT OF LED ARRAYS AND DRIVERS IS SIMPLE AND REQUIRES MINIMAL EFFORT
- FULLY ILLUMINATED INSIDE OR OUTSIDE CORNERS AVAILABLE
- EXTRUDED DIFFUSER IS FROSTED WHITE ACRYLIC
- 3 STEP COLOR BINNING
- FIXTURE IS ADA COMPLIANT



CATALOG CODES

DO1	-	S1SA	-	C	-	MW	-	E	-	f	-	UNV	-	DM1	-	I
SERIES		HANGING SYSTEM		SIZE		DIFFUSER		FINISH		LIGHT SOURCE		VOLTAGE		CONTROL		OPTIONS

SPECIFY CATALOG CODE																												
A			B				C	D			E																	
SERIES			HANGING SYSTEM				SIZE	DIFFUSER			FINISH																	
 <p>DO1 DUO</p>			<p>S1SA INDOOR ADA COMPLIANT SCNCE (CAN BE MOUNTED HORIZONTALLY OR VERTICALLY)</p>				24	<p>MW MATTE WHITE</p>			<p>POWDER COAT FINISHES</p> <table border="0"> <tr> <td>BKP BLACK</td> <td>MWP MATTE WHITE</td> </tr> <tr> <td>BMP BRASS METALLIC</td> <td>SGP STEEL GRAY</td> </tr> <tr> <td>BNP BRONZE</td> <td>SMP SILVER METALLIC</td> </tr> <tr> <td>BTP BLACK TEXTURED</td> <td>SWP SKY WHITE</td> </tr> <tr> <td>GRP GRAPHITE</td> <td>WTP WHITE TEXTURED</td> </tr> <tr> <td>GLP GOLDTASTIC</td> <td></td> </tr> </table> <p>PREMIUM METAL FINISHES</p> <p>BAL BRUSHED ALUMINUM</p>						BKP BLACK	MWP MATTE WHITE	BMP BRASS METALLIC	SGP STEEL GRAY	BNP BRONZE	SMP SILVER METALLIC	BTP BLACK TEXTURED	SWP SKY WHITE	GRP GRAPHITE	WTP WHITE TEXTURED	GLP GOLDTASTIC	
							BKP BLACK										MWP MATTE WHITE											
							BMP BRASS METALLIC										SGP STEEL GRAY											
							BNP BRONZE										SMP SILVER METALLIC											
							BTP BLACK TEXTURED										SWP SKY WHITE											
							GRP GRAPHITE										WTP WHITE TEXTURED											
GLP GOLDTASTIC																												
36																												
48																												
60																												
89																												
XX																												
F			G				H			I																		
LIGHT SOURCE			VOLTAGE				CONTROL			OPTIONS																		
<p>LED OUTPUT</p> <p>2LED1</p> <p>2LED2</p>			<p>COLOR TEMP (80+ CRI)</p> <p>27K</p> <p>30K</p> <p>35K</p> <p>40K</p>				<p>COLOR TEMP (90+ CRI)</p> <p>927K</p> <p>930K</p> <p>935K</p> <p>940K</p>			<p>UNV 120-277</p>			<p>DM1 0-10V DIMMING 1%</p>			<p>ULD DAMP LABEL</p> <p>BIOS BIOS SKYBLUE™ OR BIOS SKLYBLUE™ DYNAMIC LIGHT ENGINE*</p> <p>FOR MODIFIED & CUSTOM CONFIGURATIONS**</p> <p>IJI ILLUMINATED INSIDE CORNER</p> <p>IJO ILLUMINATED OUTSIDE CORNER</p> <p>MOD MODIFIED LUMINAIRE (CONTACT LOCAL REP)</p>												

SAMPLE CODE: DO1-S1SA-24-MW-WTP-2LED1/27K-UNV-DM1

*For a modified length, type in length of fixture in inches to the nearest 0.0625"; Min. 24". For lengths over 120", we may recommend a modified option. Please contact factory for assistance on your custom lengths or configurations.

**Please contact factory for assistance on your custom lengths or configurations.

UP TO 63 LM/W

		LUMENS AND WATTAGE CHART				
		24"	36"	48"	60"	89"
2LED1	LUMENS DELIVERED	1760	2640	3520	4400	7040
	SYSTEM WATTAGE	25	40	56	65	95
2LED2	LUMENS DELIVERED	2650	3900	5290	6550	9700
	SYSTEM WATTAGE	42	62	84	104	154

This chart was created for a 35K color temp. Multiply by 0.95 for 27k color temp, 0.97 for 30k color temp, and 1.03 for 40k color temp.

Values shown for 80+ CRI. For 90+ CRI lumens use 0.85 multiplier.

MODS, NOTES, & COMMENTS

HANGING SYSTEM

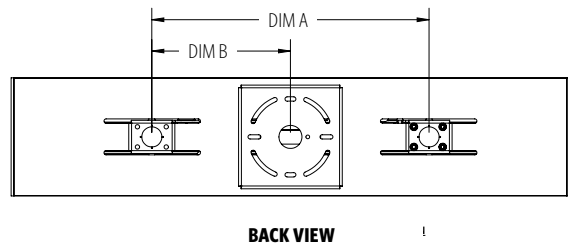
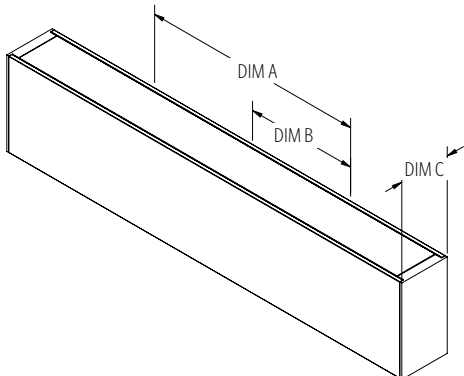
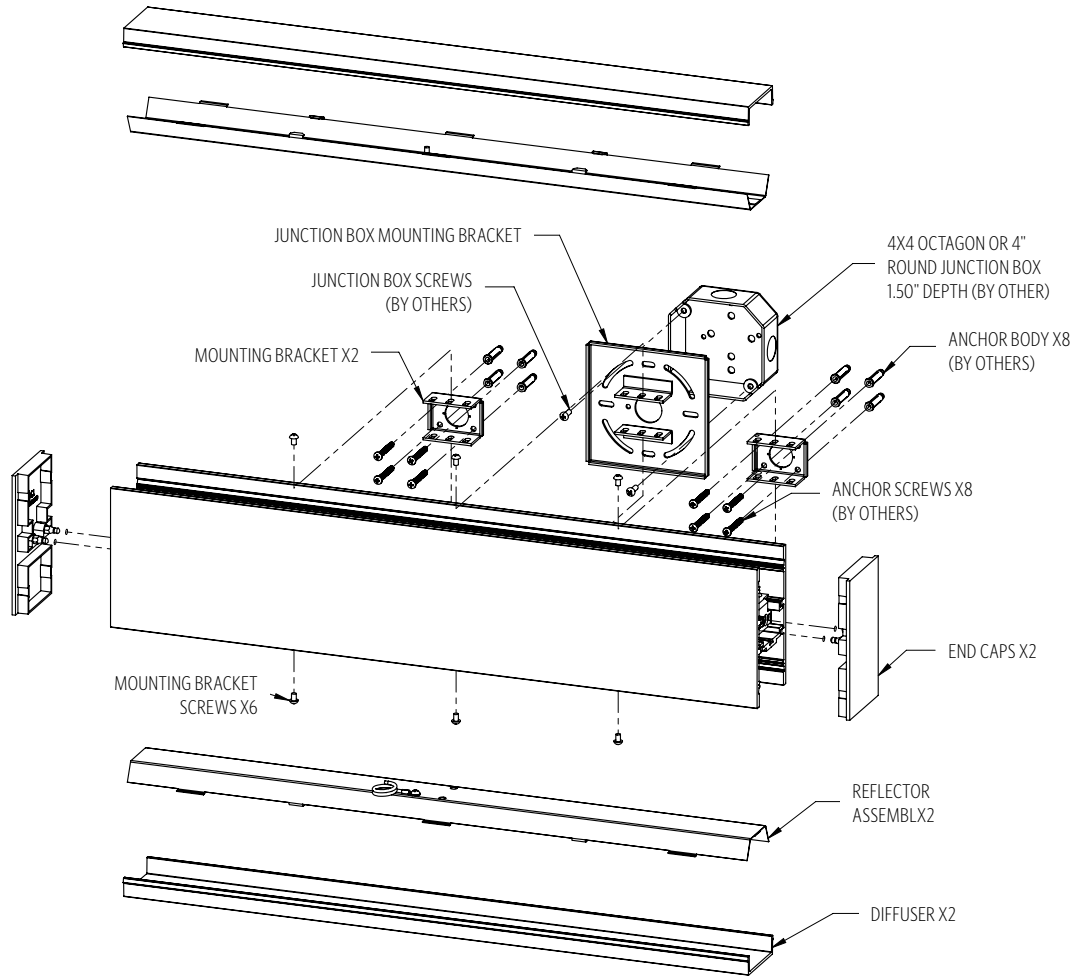
SISA INDOOR ADA COMPLIANT SCONCE

MOUNTING INFORMATION CHART

LUMINAIRE SIZE	WEIGHT	MOUNTING DISTANCE DIM A	MOUNTING DISTANCE DIM B	MOUNTING DISTANCE DIM C	MOUNTING POINTS
24.25"	10LBS	12.00"	6.00"	3.30"	3
36.25"	15LBS	24.00"	12.00"	3.30"	3
48.25"	20LBS	36.00"	18.00"	3.30"	3
60.25"	25LBS	48.00"	24.00"	3.30"	3
89.25"	37LBS	77.00"	38.50"	3.30"	3

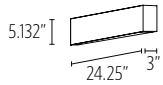
* Fixtures over 60" will have multiple reflectors

** All dims in inches; tolerance on dimensions are +/- .0625" per section

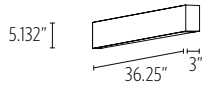


BACK VIEW

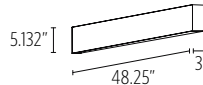
SIZES



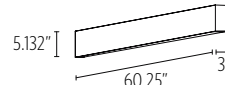
WT. 10 LBS



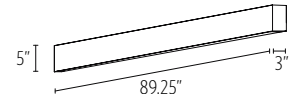
WT. 15 LBS



WT. 20 LBS



WT. 25 LBS



WT. 37 LBS

DIFFUSER



MW MATTE WHITE

FINISH

METALLIC POWDER COAT FINISHES:



SMP
SILVER



GRP
GRAPHITE



SGP
STEEL GRAY



GLP
GOLD



BMP
BRASS



BNP
BRONZE



BAL
BRUSHED
ALUMINUM

SOLID POWDER COAT FINISHES:



SWP
SKY WHITE



MWP
MATTE
WHITE



BKP
BLACK



BTP
BLACK
TEXTURED



WTP
WHITE
TEXTURED

TEXTURED POWDER COAT FINISHES:

PREMIUM METAL FINISHES:

RAL, Pantone or custom finishes are also available.

These colors are for reference only. Please be aware that colors may vary per monitor. Contact your local rep for finish samples or with any questions.

LIGHT SOURCE

LUMENS AND WATTAGE CHART

		24"	36"	48"	60"	89"
2LED1	LUMENS DELIVERED	1760	2640	3520	4400	7040
	SYSTEM WATTAGE	25	40	56	65	95
2LED2	LUMENS DELIVERED	2650	3900	5290	6550	9700
	SYSTEM WATTAGE	42	62	84	104	154

This chart was created for a 35K color temp. Multiply by 0.95 for 27k color temp, 0.97 for 30k color temp, and 1.03 for 40k color temp.

Values shown for 80+ CRI. For 90+ CRI lumens use 0.85 multiplier.

STANDARD COLOR TEMPERATURE OPTIONS	CRI (RA)	
	2700K	80+
3000K	80+	90+
3500K	80+	90+
4000K	80+	90+

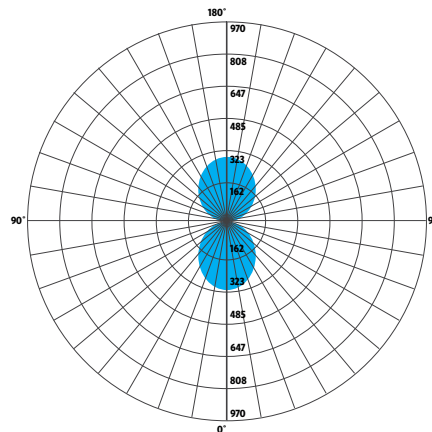
For 80+ CRI - 80 RA, R9 > 0 (10-15 TYP); For 90+ CRI - 90 RA, R9 > 50

ZONE	LUMENS	% OF LUMINAIRE
0-30	248	14%
0-60	666	38%
0-90	827	47%
90-180	933	53%
0-180	1760	100%

PHOTOMETRY:

FIXTURE: DO1-PIEB-24-MW-PTD-LED1/35K-120-TMW
 COLOR TEMP #: 3500K
 OUTPUT: 1760
 EFFICACY: 70 LM/W
 TEST REPORT: TEST NO. 18334.0

For all available IES files, please visit our website at ocl.com.



CONTROL

DM1 0-10V DIMMING 1%

- 0-10V DIMMING PROTOCOL
- 1% MINIMUM DIM LEVEL
- ELECTRONIC DRIVER
- POWER FACTOR >0.9
- THD <20%
- MINIMUM AMBIENT OPERATING TEMPERATURE -31°F
- FIELD REPLACEABLE

OPTIONS

ULD DAMP LABEL LUMINAIRE

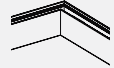
- MAY BE USED IN AN OUTDOOR AREA THAT IS PROTECTED FROM DIRECT CONTACT WITH WIND, RAIN, SNOW OR EXCESSIVE MOISTURE

BIOS

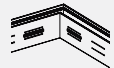
- **BIOS SKYBLUE™ DYNAMIC** LIGHT ENGINE IS DIMMABLE AND FEATURES A SIMPLE APPROACH TO CIRCADIAN LIGHTING CONTROLS.
- WHEN PAIRED WITH THE BIOS BIO-DIMMING MODULE, IT OPERATES USING ANY SINGLE CHANNEL CONSTANT CURRENT (CC) LED DRIVER AND CAN BE USED WITH ANY STANDARD DIMMING INTERFACE/PROTOCOL (0-10V, ELV, DMX, WIRELESS) AND COULD WORK WITH EXISTING TWO-CHANNEL CONTROL SYSTEMS AS WELL.
- VISIT OCL.COM/BIOS FOR MORE INFORMATION

FOR MODIFIED & CUSTOM CONFIGURATIONS

IJI ILLUMINATED INSIDE CORNER



IJO ILLUMINATED OUTSIDE CORNER



MOD MODIFIED LUMINAIRE

- LUMINAIRE IS MODIFIED FROM STANDARD OPTIONS; CONTACT LOCAL REP FOR MORE INFORMATION

SPECIFICATIONS

CONSTRUCTION

- HOUSING IS EXTRUDED AND WELDED ALUMINUM
- END CAPS ARE CAST ALUMINUM
- EXTRUDED DIFFUSER IS FROSTED WHITE ACRYLIC
- HARDWARE IS ZINC PLATED OR STAINLESS STEEL

MOUNTING

- **SISA** MOUNTS TO 4X4" OCTAGON OR 4" ROUND J-BOX (BY OTHERS)

ELECTRICAL

- DIMMING ELECTRONIC DRIVER(S), COMES STANDARD WITH 0-10V DOWN TO 1% [STATIC WHITE]
- OCL PROPRIETARY LED ARRAYS USE NICHIA 757 DIODES
- **FOR INTEGRAL DRIVERS:** LUMINAIRE CONNECTS TO BUILDING SUPPLY (120V-277V 50/60HZ)
- **FOR REMOTE DRIVERS:** LUMINAIRE WIRE LEADS ARE LOW-VOLTAGE. THE WIRES SHOULD BE CONNECTED TO OCL PROVIDED REMOTE DRIVER ENCLOSURE ONLY!

LISTING

- ETL LISTED TO UL1598 FOR INDOOR, DRY LOCATION (DAMP LOCATION OPTIONAL)

WARRANTY

- 5 YEAR; ALL ELECTRICAL COMPONENTS RETAIN THE MANUFACTURER'S WARRANTY

SUSTAINABILITY

- THIS PRODUCT MEETS THE MATERIAL RESTRICTIONS OF ARTICLE 4 OF THE **ROHS** DIRECTIVE (2011/65/EU), INCLUDING COMMISSION DELEGATED DIRECTIVE 2015/863
- **BIOS** LIGHTING CONTRIBUTES TOWARD THE CIRCADIAN LIGHTING DESIGN FEATURE 54 UNDER THE **WELL BUILDING STANDARD™ V1** AND FEATURE L03 UNDER THE **WELL BUILDING STANDARD V2**

COMMON MODIFICATIONS

WE'RE BUILT FOR OUT-OF-THE-BOX THINKERS.

Nearly 50% of OCL fixtures we manufacture have some type of modification. Here is a list of common modifications we frequently produce. **Please contact the factory for modifications specific to your fixture or project.**

Need some help? Simply send your questions to us at OCL-Quotes@ocl.com

- BIOS, TUNABLE WHITE, WARM-DIM, & RGBW LIGHT SOURCES
- SPECIFIC LUMEN OUTPUT
- MODIFIED CLUSTERS OR CONFIGURATIONS / MULTI-DROP CANOPIES
- VARIOUS SHAPES, ARCS, AND CURVES FOR LINEAR PROFILES AND RINGS
- CEILING OR SURFACE MOUNTING
- LARGE SCALE MODIFICATIONS
- RAL, PANTONE, BRAND-SPECIFIC, RETIRED OCL COLOR, OR CUSTOM FINISHES



- EMERGENCY BATTERY BACKUP OR INVERTER OPTIONS
- REMOTE DRIVERS / EXTENDED DISTANCE REMOTE DRIVERS
- DIMMING TO 0.1% (DIM TO DARK)
- NON-STANDARD SIZES OR LENGTHS
- NON-STANDARD CANOPY, BODY AND/OR CORD COLORS
- SEISMIC AND/OR ANTI-SWAY SYSTEMS
- RIGID STEMS
- MODIFIED OVERALL HEIGHTS (LONGER OR SHORTER OAH)
- UPLIGHT ADDITIONS
- LASER ETCHING, ENGRAVING, AND CUTOUTS

The drawings and specifications and ideas, designs and arrangements represented on these drawings are and shall remain the property of The Original Cast Lighting (OCL Architectural Lighting) and no part thereof shall be copied, disclosed, to others or used in conjunction with any work or project other than the specified project for which they have been prepared and developed, without written consent of OCL. Visual contact with these plans or specifications shall constitute conclusive evidence of acceptance of these restrictions. All specifications and information subject to change without notice.