

Duo™

PENDANT

FEATURES

- SIMPLE, LINEAR PROFILE WITH DUAL DIRECTION ILLUMINATION, ACRYLIC TOP AND BOTTOM LENSES
- FIELD REPLACEMENT OF LED ARRAYS AND DRIVERS IS SIMPLE AND REQUIRES MINIMAL EFFORT
- FULLY ILLUMINATED "L," "T" OR "X" JUNCTIONS AVAILABLE TO CREATE SPECIAL INSTALLATIONS
- EXTRUDED DIFFUSER IS FROSTED WHITE ACRYLIC
- 3 STEP COLOR BINNING



CATALOG CODES

DO1	-	P1EB	-	C	-	MW	-	E	-	f	-	UNV	-	H	-	DM1	-	J
SERIES		HANGING SYSTEM		SIZE		DIFFUSER		FINISH		LIGHT SOURCE		VOLTAGE		OAH		CONTROL		OPTIONS

SPECIFY CATALOG CODE		A	B	C	D	E
		SERIES	HANGING SYSTEM	SIZE	DIFFUSER	FINISH
<p>DO1 DUO</p>	P1EB	PENDANT WITH AN AIRCRAFT CABLE ON EACH END OF THE FIXTURE AND A POWER CORD ON ONE END	24	MW MATTE WHITE	POWDER COAT FINISHES	
					BKP BLACK	MWP MATTE WHITE
					BMP BRASS METALLIC	SGP STEEL GRAY
					BNP BRONZE	SMP SILVER METALLIC
					BTP BLACK TEXTURED	SWP SKY WHITE
					GRP GRAPHITE	WTP WHITE TEXTURED
PREMIUM METAL FINISHES						
BAL BRUSHED ALUMINUM						

F LIGHT SOURCE			G VOLTAGE	H OAH	I CONTROL	J OPTIONS
LED OUTPUT	COLOR TEMP (80+ CRI)	COLOR TEMP (90+ CRI)	UNV 120-277	48 100 144	DM1 0-10V DIMMING 1%	ULD DAMP LABEL BIOS BIOS SKYBLUE™ OR BIOS SKLYBLUE™ DYNAMIC LIGHT ENGINE*
2LED1	27K	927K				FOR MODIFIED & CUSTOM CONFIGURATIONS*
2LED2	30K	930K				
	35K	935K				
	40K	940K				
						IJL ILLUMINATED "L" JUNCTION IJT ILLUMINATED "T" JUNCTION IJX ILLUMINATED "X" JUNCTION MOD MODIFIED LUMINAIRE (CONTACT LOCAL REP)

SAMPLE CODE: DO1-P1EB-24-MW-WTP-2LED1/27K-UNV-48-DM1

*For a modified length, type in length of fixture in inches to the nearest 0.0625"; Min. 24". For lengths over 120", we may recommend a modified option. Please contact factory for assistance on your custom lengths or configurations.

**For Minimum OAH, see hanging systems details. P1EB will ship with one of three standard OAH's (48", 100" or 144") field adjustable to the desired height

UP TO **63** LM/W

LUMENS AND WATTAGE CHART

		28"	36"	48"	60"	89"
2LED1	LUMENS DELIVERED	1760	2640	3520	4400	7040
	SYSTEM WATTAGE	28	42	56	70	102
2LED2	LUMENS DELIVERED	2650	3900	5290	6550	9700
	SYSTEM WATTAGE	42	62	84	104	154

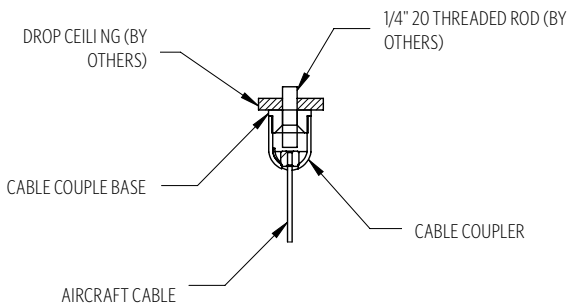
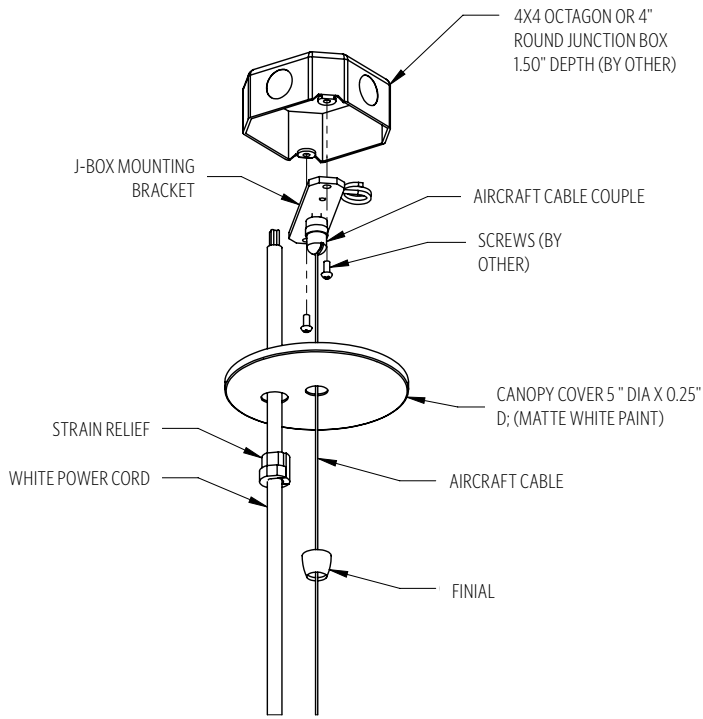
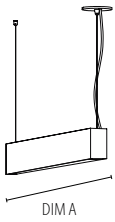
This chart was created for a 35K color temp. Multiply by 0.95 for 27k color temp, 0.97 for 30k color temp, and 1.03 for 40k color temp.

Values shown for 80+ CRI. For 90+ CRI lumens use 0.85 multiplier.

MODS, NOTES, & COMMENTS

HANGING SYSTEM

P1EB PENDANT WITH AN AIRCRAFT CABLE ON EACH END OF THE FIXTURE AND A POWER CORD ON ONE END

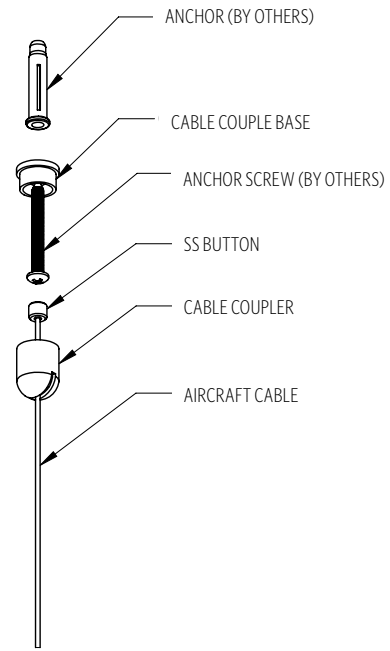


DROP CEILING

MOUNTING INFORMATION CHART

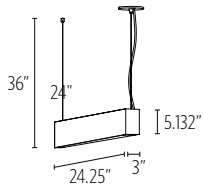
LUMINAIRE SIZE	LUMINAIRE WEIGHT	MOUNTING DISTANCE DIM A	MOUNTING POINTS	MIN/MAX OAH
24.25"	10 LBS	22.3125	2	8.5"/144"
36.25"	15 LBS	34.25	2	8.5"/144"
48.25"	20 LBS	46.25	2	8.5"/144"
60.25"	25 LBS	58.25	2	8.5"/144"
89.25"	37 LBS	57.25	2	8.5"/144"

* PIEM & PIEC ships with one of three standard OAH's (48", 100" or 144") field adjustable to the desired height.

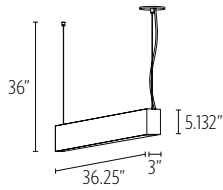


HARD CEILING

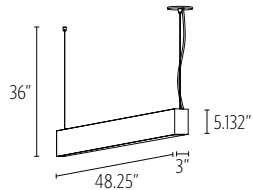
SIZES



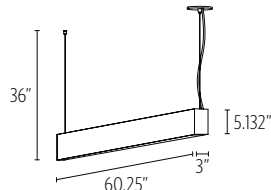
WT. 10 LBS



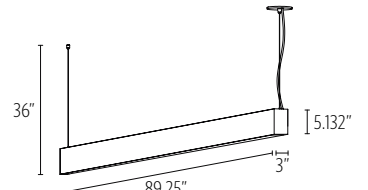
WT. 15 LBS



WT. 20 LBS



WT. 25 LBS



WT. 37 LBS

DIFFUSER



MW MATTE WHITE

FINISH

METALLIC POWDER COAT FINISHES:



SMP SILVER



GRP GRAPHITE



SGP STEEL GRAY



GLP GOLD



BMP BRASS



BNP BRONZE

PREMIUM METAL FINISHES:



BAL BRUSHED ALUMINUM

SOLID POWDER COAT FINISHES:



SWP SKY WHITE



MWP MATTE WHITE



BKP BLACK

TEXTURED POWDER COAT FINISHES:



BTP BLACK TEXTURED



WTP WHITE TEXTURED

RAL, Pantone or custom finishes are also available.

These colors are for reference only. Please be aware that colors may vary per monitor. Contact your local rep for finish samples or with any questions.

LIGHT SOURCE

LUMENS AND WATTAGE CHART

		24"	36"	48"	60"	89"
2LED1	LUMENS DELIVERED	1760	2640	3520	4400	7040
	SYSTEM WATTAGE	25	40	56	65	95
2LED2	LUMENS DELIVERED	2650	3900	5290	6550	9700
	SYSTEM WATTAGE	42	62	84	104	154

This chart was created for a 35K color temp. Multiply by 0.95 for 27k color temp, 0.97 for 30k color temp, and 1.03 for 40k color temp.

Values shown for 80+ CRI. For 90+ CRI lumens use 0.85 multiplier.

STANDARD COLOR TEMPERATURE OPTIONS	CRI (RA)	
	2700K	80+
3000K	80+	90+
3500K	80+	90+
4000K	80+	90+

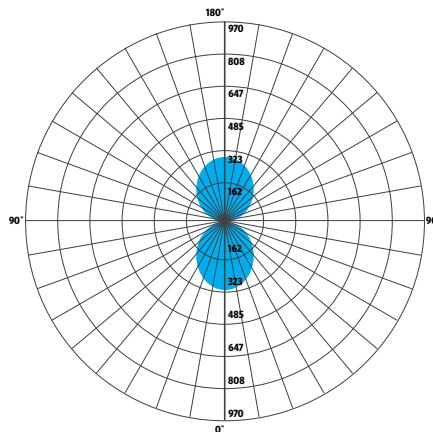
For 80+ CRI - 80 RA, R9 > 0 (10-15 TYP); For 90+ CRI - 90 RA, R9 > 50

ZONE	LUMENS	% OF LUMINAIRE
0-30	248	14%
0-60	666	38%
0-90	827	47%
90-180	933	53%
0-180	1760	100%

PHOTOMETRY:

FIXTURE: DO1-PIEB-24-MW-PTD-LED1/35K-120-TMW
 COLOR TEMP #: 3500K
 OUTPUT: 1760
 EFFICACY: 70 LM/W
 TEST REPORT: TEST NO. 18334.0

For all available IES files, please visit our website at ocl.com.



CONTROL

DM1 0-10V DIMMING 1%

- 0-10V DIMMING PROTOCOL
- 1% MINIMUM DIM LEVEL
- ELECTRONIC DRIVER
- POWER FACTOR >0.9
- THD <20%
- MINIMUM AMBIENT OPERATING TEMPERATURE -31°F
- FIELD REPLACEABLE

OPTIONS

ULD DAMP LABEL LUMINAIRE

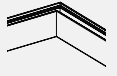
- MAY BE USED IN AN OUTDOOR AREA THAT IS PROTECTED FROM DIRECT CONTACT WITH WIND, RAIN, SNOW OR EXCESSIVE MOISTURE

BIOS

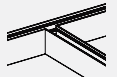
- **BIOS SKYBLUE™ DYNAMIC** LIGHT ENGINE IS DIMMABLE AND FEATURES A SIMPLE APPROACH TO CIRCADIAN LIGHTING CONTROLS.
- WHEN PAIRED WITH THE BIOS BIO-DIMMING MODULE, IT OPERATES USING ANY SINGLE CHANNEL CONSTANT CURRENT (CC) LED DRIVER AND CAN BE USED WITH ANY STANDARD DIMMING INTERFACE/PROTOCOL (0-10V, ELV, DMX, WIRELESS) AND COULD WORK WITH EXISTING TWO-CHANNEL CONTROL SYSTEMS AS WELL.
- VISIT OCL.COM/BIOS FOR MORE INFORMATION

FOR MODIFIED & CUSTOM CONFIGURATIONS

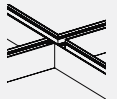
IJL ILLUMINATED "L" JUNCTION



IJT ILLUMINATED "T" JUNCTION



IJX ILLUMINATED "X" JUNCTION



MOD MODIFIED LUMINAIRE

- LUMINAIRE IS MODIFIED FROM STANDARD OPTIONS; CONTACT LOCAL REP FOR MORE INFORMATION

SPECIFICATIONS

CONSTRUCTION

- HOUSING IS EXTRUDED AND WELDED ALUMINUM
- END CAPS ARE CAST ALUMINUM
- EXTRUDED DIFFUSER IS FROSTED WHITE ACRYLIC
- CANOPY IS FORMED ALUMINUM
- HARDWARE IS ZINC PLATED OR STAINLESS STEEL

MOUNTING

- **PIEB** MOUNTS TO 4X4" OCTAGON OR 4" ROUND J-BOX (BY OTHERS)

ELECTRICAL

- DIMMING ELECTRONIC DRIVER(S), COMES STANDARD WITH 0-10V DOWN TO 1% [STATIC WHITE]
- OCL PROPRIETARY LED ARRAYS USE NICHIA 757 DIODES
- **FOR INTEGRAL DRIVERS:** LUMINAIRE CONNECTS TO BUILDING SUPPLY (120V-277V 50/60HZ)
- **FOR REMOTE DRIVERS:** LUMINAIRE WIRE LEADS ARE LOW-VOLTAGE. THE WIRES SHOULD BE CONNECTED TO OCL PROVIDED REMOTE DRIVER ENCLOSURE ONLY!

LISTING

- ETL LISTED TO UL1598 FOR INDOOR, DRY LOCATION (DAMP LOCATION OPTIONAL)

WARRANTY

- 5 YEAR; ALL ELECTRICAL COMPONENTS RETAIN THE MANUFACTURER'S WARRANTY

SUSTAINABILITY

- THIS PRODUCT MEETS THE MATERIAL RESTRICTIONS OF ARTICLE 4 OF THE **ROHS** DIRECTIVE (2011/65/EU), INCLUDING COMMISSION DELEGATED DIRECTIVE 2015/863
- **BIOS** LIGHTING CONTRIBUTES TOWARD THE CIRCADIAN LIGHTING DESIGN FEATURE 54 UNDER THE **WELL BUILDING STANDARD™ V1** AND FEATURE L03 UNDER THE **WELL BUILDING STANDARD V2**

COMMON MODIFICATIONS

WE'RE BUILT FOR OUT-OF-THE-BOX THINKERS.

Nearly 50% of OCL fixtures we manufacture have some type of modification. Here is a list of common modifications we frequently produce. **Please contact the factory for modifications specific to your fixture or project.**

Need some help? Simply send your questions to us at OCL-Quotes@ocl.com

- BIOS, TUNABLE WHITE, WARM-DIM, & RGBW LIGHT SOURCES
- SPECIFIC LUMEN OUTPUT
- MODIFIED CLUSTERS OR CONFIGURATIONS / MULTI-DROP CANOPIES
- VARIOUS SHAPES, ARCS, AND CURVES FOR LINEAR PROFILES AND RINGS
- CEILING OR SURFACE MOUNTING
- LARGE SCALE MODIFICATIONS
- RAL, PANTONE, BRAND-SPECIFIC, RETIRED OCL COLOR, OR CUSTOM FINISHES



- EMERGENCY BATTERY BACKUP OR INVERTER OPTIONS
- REMOTE DRIVERS / EXTENDED DISTANCE REMOTE DRIVERS
- DIMMING TO 0.1% (DIM TO DARK)
- NON-STANDARD SIZES OR LENGTHS
- NON-STANDARD CANOPY, BODY AND/OR CORD COLORS
- SEISMIC AND/OR ANTI-SWAY SYSTEMS
- RIGID STEMS
- MODIFIED OVERALL HEIGHTS (LONGER OR SHORTER OAH)
- UPLIGHT ADDITIONS
- LASER ETCHING, ENGRAVING, AND CUTOUTS

The drawings and specifications and ideas, designs and arrangements represented on these drawings are and shall remain the property of The Original Cast Lighting (OCL Architectural Lighting) and no part thereof shall be copied, disclosed, to others or used in conjunction with any work or project other than the specified project for which they have been prepared and developed, without written consent of OCL. Visual contact with these plans or specifications shall constitute conclusive evidence of acceptance of these restrictions. All specifications and information subject to change without notice.