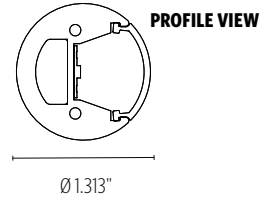


# Dash™

PENDANT / SCONCE

**FEATURES**

- SIMPLE LINEAR PROFILE CAN BE CONNECTED WITH **STRAIGHT** OR **ADJUSTABLE CONNECTORS** TO CREATE LONG CONTINUOUS RUNS
- MINIMAL 1.313" PROFILE DIAMETER
- FIXTURE IS ROTATABLE 350 DEGREES
- STRAIGHT AND ADJUSTABLE CONNECTORS AVAILABLE
- AVAILABLE IN 80+ CRI AND 90+ CRI
- 3 STEP LED BINNING




MADE IN USA



**CATALOG CODES**

<b>DA1</b>	-	<b>B</b>	-	<b>C</b>	-	<b>MW</b>	-	<b>E</b>	-	<b>i</b>	-	<b>UNV</b>	-	<b>H</b>	-	<b>I</b>	-	<b>J</b>
SERIES		HANGING SYSTEM		SIZE		DIFFUSER		FINISH		LIGHT SOURCE		VOLTAGE		OAH		CONTROL		OPTIONS

**SPECIFY CATALOG CODE**

A	B	C	D	E	
SERIES	HANGING SYSTEM	SIZE	DIFFUSER	STANDARD FINISHES	PREMIUM FINISHES
 <b>DA1 DASH</b>	<b>PIEW</b> PENDANT WITH AN AIRCRAFT CABLE ON ONE END OF THE FIXTURE AND A POWER CORD ON THE OTHER (REMOTE DRIVER)	<b>27</b>	<b>MW</b> MATTE WHITE	<b>POWDER COAT FINISHES</b> <b>BKP</b> BLACK <b>BMP</b> BRASS METALLIC <b>BNP</b> BRONZE <b>BTP</b> BLACK TEXTURED <b>GRP</b> GRAPHITE <b>GLP</b> GOLDTASTIC <b>MWP</b> MATTE WHITE <b>SGP</b> STEEL GRAY <b>SMP</b> SILVER METALLIC <b>SWP</b> SKY WHITE <b>WTP</b> WHITE TEXTURED	<b>METAL FINISHES</b> <b>BAL</b> BRUSHED ALUMINUM  <b>EVERWOODS POWDER COAT FINISHES (BODY ONLY)</b> <b>WPDP</b> WHITE PINE <b>PNDP</b> PINE <b>CRDP</b> CHERRY <b>TKDP</b> TEAK <b>WLDP</b> WALNUT <b>DLDP</b> DARK WALNUT <b>LWDP</b> LIGHT BARNWOOD <b>DWDP</b> DARK BARNWOOD
	<b>SISC</b> ARM SCONCE (REMOTE DRIVER)	<b>39</b>			
		<b>51</b>			
		<b>63</b>			
		<b>75</b>			
		<b>XX</b>			

F LIGHT SOURCE			G VOLTAGE	H OAH*	I CONTROL	J OPTIONS
<b>LED OUTPUT</b>	<b>COLOR TEMP</b> (80+ CRI)	<b>COLOR TEMP</b> (90+ CRI)	<b>UNV</b> 120-277	<b>48</b>	<b>DM1</b> 0-10V DIMMING 1% <b>DM3</b> LUTRON HI-LUME ECOSYSTEM 1% (LDEI)	<b>SCY</b> 3.5" DIA. SMALL CANOPIES (REQUIRES PRE-INSTALLATION OF 3" MUD RING BY OTHERS; <b>SISC</b> ONLY) <b>PRA</b> 4" PROJECTION OFF WALL ( <b>SISC</b> ONLY) <b>ULD</b> DAMP LABEL <b>BIOS</b> BIOS SKYBLUE® OR BIOS SKLYBLUE® DYNAMIC LIGHT ENGINE** <b>FOR MODIFIED &amp; CUSTOM CONFIGURATIONS****</b> <b>SCN</b> STRAIGHT CONNECTOR <b>ACN</b> ADJUSTABLE CONNECTOR ( <b>PIEW</b> ONLY) <b>MOD</b> MODIFIED LUMINAIRE (CONTACT LOCAL REP)
<b>LED1</b>	<b>27K</b>	<b>927K</b>		<b>100</b>		
<b>LED2</b>	<b>30K</b>	<b>930K</b>		<b>144</b>		
	<b>35K</b>	<b>935K</b>				
	<b>40K</b>	<b>940K</b>				
				<b>NOTE: LEAVE BLANK FOR SISC</b>		

**SAMPLE CODE: DA1-PIEW-51-MW-BTP-LED1/35K-UNV-48-DM1-ULD**

\*For Minimum OAH, see hanging systems details. PIEW will ship with one of three standard OAH's (48", 100" or 144") field adjustable to the desired height

\*\*Contact factory for **BIOS SkyBlue®** or **BIOS SkyBlue® Dynamic** light engine and control options.

\*\*\*Please contact factory for assistance on your custom lengths or configurations.

Fixtures larger than 74.75" will be shipped in connectible segments

Fixture is provided with 5" dia. canopies finished to match fixture; Fixtures using any **Everwoods finish**, canopies will be **MWP** unless specified

**MODS, NOTES, & COMMENTS**

**LUMENS AND WATTAGE CHART**

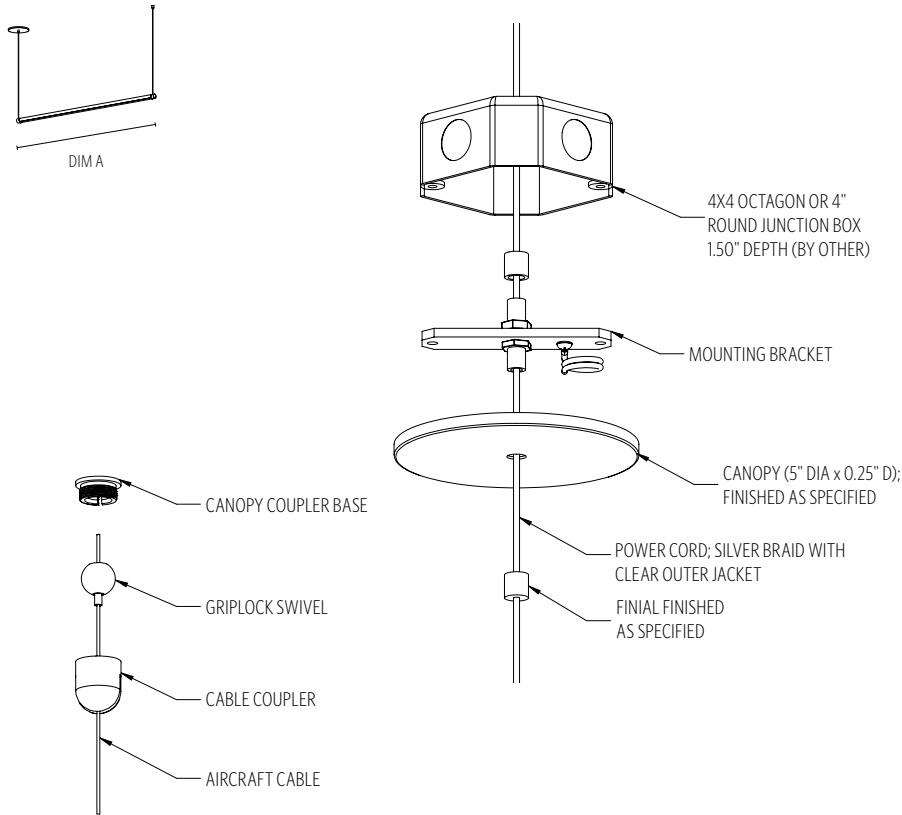
		27"	39"	51"	63"	75"
<b>LED1</b>	LUMENS DELIVERED	1080	1620	2160	2700	3240
	SYSTEM WATTAGE	12	18	24	30	36
<b>LED2</b>	LUMENS DELIVERED	1680	2520	3360	4200	5040
	SYSTEM WATTAGE	20	30	40	50	60

This chart was created for a 35K color temp. Multiply by 0.95 for 27k color temp, 0.97 for 30k color temp, and 1.03 for 40k color temp. Values shown for 80+ CRI. For 90+ CRI lumens use 0.85 multiplier.

## HANGING SYSTEM

### PIEW

PENDANT WITH AN AIRCRAFT CABLE ON ONE END OF THE FIXTURE AND A POWER CORD ON THE OTHER



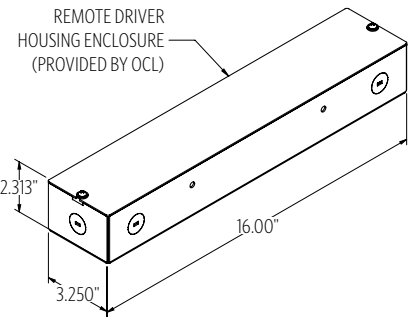
### MOUNTING INFORMATION CHART

LUMINAIRE SIZE	LUMINAIRE WEIGHT	MOUNTING DISTANCE DIM A	MOUNTING POINTS	MIN/MAX OAH
26.75"	3 LBS	25.75"	2	5"/144"
38.75"	5 LBS	37.75"	2	5"/144"
50.75"	6 LBS	49.75"	2	5"/144"
62.75"	8 LBS	61.75"	2	5"/144"
74.75"	9 LBS	73.75"	2	5"/144"

PIEW ships with one of three standard OAH's (48", 100" or 144") field adjustable to the desired height.

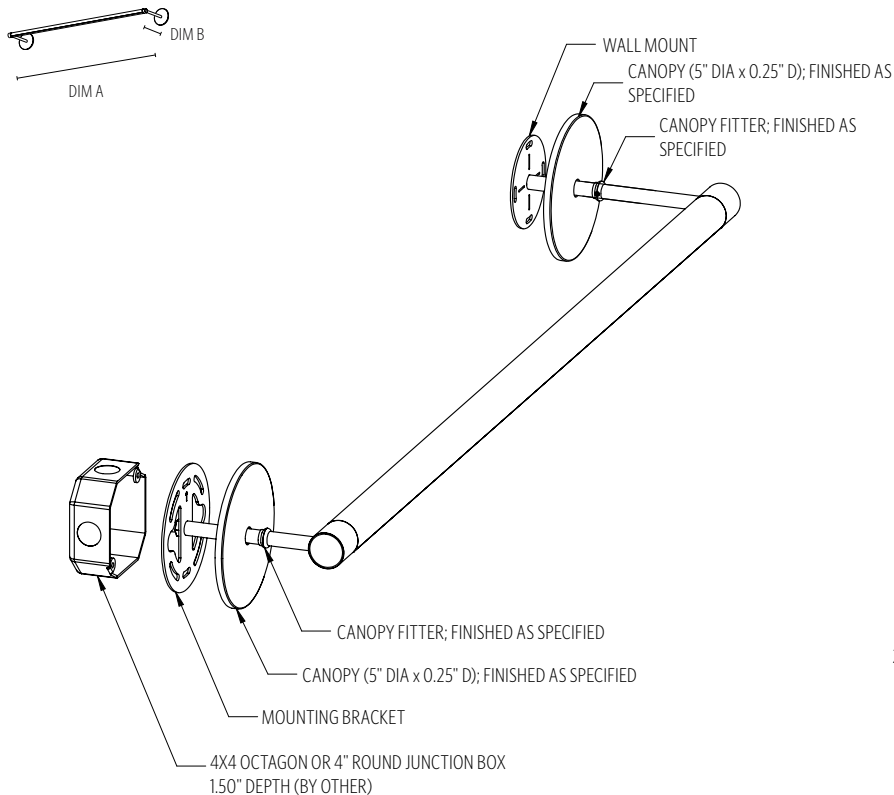
Fixture is provided with 5" dia. canopies finished to match fixture; Fixtures using any **Everwoods finish**, canopies will be **MWP** unless specified

PIEW will include ETL listed enclosure for remote mounting drivers. Max 30' distance from luminaire for DM1 and 10' max remote distance for DM3. Enclosure must remain accessible after installation.



### SISC

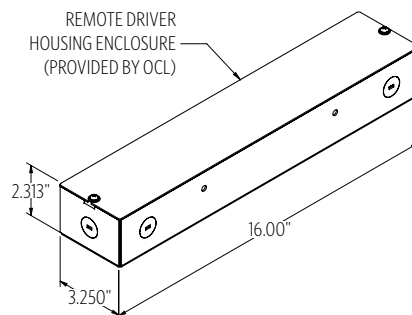
ARM SCONCE



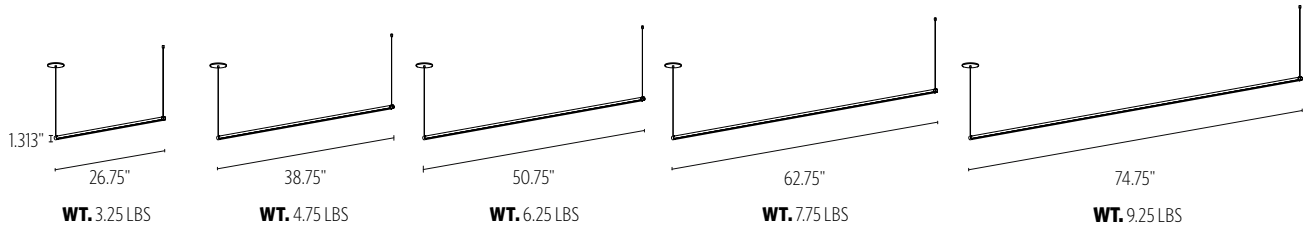
### MOUNTING INFORMATION CHART

LUMINAIRE SIZE	LUMINAIRE WEIGHT	MOUNTING DISTANCE DIM A	MOUNTING DISTANCE DIM B	MOUNTING POINTS
26.75"	3 LBS	25.75"	6"	2
38.75"	5 LBS	37.75"	6"	2
50.75"	6 LBS	49.75"	6"	2
62.75"	8 LBS	61.75"	6"	2
74.75"	9 LBS	73.75"	6"	2

Fixture is provided with 5" dia. canopies finished to match fixture; Fixtures using any **Everwoods finish**, canopies will be **MWP** unless specified  
SISC will include ETL listed enclosure for remote mounting drivers. Max 30' distance from luminaire for DM1 and 10' max remote distance for DM3. Enclosure must remain accessible after installation.



## SIZES



## DIFFUSER



**MW** MATTE WHITE

## FINISH

### METALLIC POWDER COAT FINISHES:



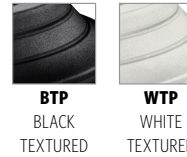
### PREMIUM METAL FINISHES:



### SOLID POWDER COAT FINISHES:



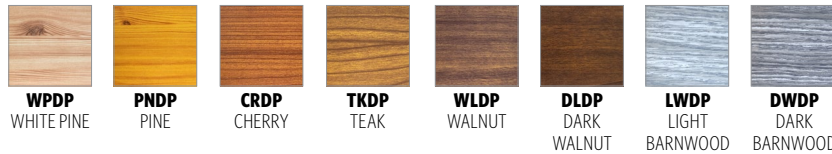
### TEXTURED POWDER COAT FINISHES:



**RAL\*, Pantone® or custom finishes are also available.**

These colors are for reference only. Please be aware that colors may vary per monitor. Contact your local rep for finish samples or with any questions.

### EVERWOODS POWDER COAT COLLECTION:



## LIGHT SOURCE

		LUMENS AND WATTAGE CHART				
		27"	39"	51"	63"	75"
<b>LED1</b>	LUMENS DELIVERED	1080	1620	2160	2700	3240
	SYSTEM WATTAGE	12	18	24	30	36
<b>LED2</b>	LUMENS DELIVERED	1680	2520	3360	4200	5040
	SYSTEM WATTAGE	20	30	40	50	60

This chart was created for a 35K color temp. Multiply by 0.95 for 27k color temp, 0.97 for 30k color temp, and 1.03 for 40k color temp. Values shown for 80+ CRI. For 90+ CRI lumens use 0.85 multiplier.

STANDARD COLOR TEMPERATURE OPTIONS	CRI	
	2700K	80+
3000K	80+	90+
3500K	80+	90+
4000K	80+	90+

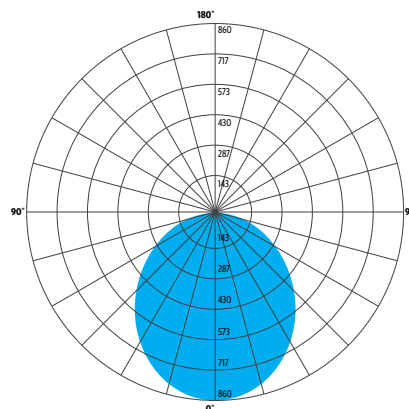
For 80+ CRI - 80 RA, R9 > 0 (10-15 TYP.); For 90+ CRI - 90 RA, R9 > 50

ZONE	LUMENS	% OF LUMINAIRE
0-30	643	26%
0-60	1798	72%
0-90	2410	96%
90-180	112	5%
0-180	2520	100%

### PHOTOMETRY:

FIXTURE: DA1-XXXX-39-MW-PTD-LED2\_35K-120  
 COLOR TEMP #: 3500K  
 OUTPUT: 2520  
 EFFICACY: 90 LM/W  
 TEST REPORT: TEST NO. 18921.0

For all available IES files, please visit our website at [ocl.com](http://ocl.com).



## CONTROL

### DM1 0-10V DIMMING DOWN TO 1%

- 0-10V DIMMING
- 1% MINIMUM DIMMING LEVEL
- ELECTRONIC DRIVER
- POWER FACTOR >0.9
- THD <20%
- MIN AMBIENT OPERATING TEMPERATURE = -32°F
- FIELD REPLACEABLE

### DM3 LUTRON HI-LUME ECOSYSTEM 1% (LDE1)

- LUTRON DIGITAL ECOSYSTEM DIMMING
- 1% MINIMUM DIMMING LEVEL
- SOFT-ON / FADE-TO-BLACK
- ELECTRONIC DRIVER
- POWER FACTOR >0.9 @ 120V
- THD <23% @ 120V
- MIN AMBIENT OPERATING TEMPERATURE = -32°F
- FIELD REPLACEABLE

## OPTIONS

### ULD DAMP LABEL LUMINAIRE

- MAY BE USED IN A OUTDOOR AREA THAT IS PROTECTED FROM DIRECT CONTACT WITH WIND, RAIN, SNOW OR EXCESSIVE MOISTURE

### SCY 3.5" DIA. SMALL CANOPIES

- (REQUIRES PRE-INSTALLATION OF 3" MUD RING BY OTHERS; **S1SC ONLY**)



### PRA 4" PROJECTION OFF WALL (S1SC ONLY)

### BIOS

- **BIOS SKYBLUE™** DYNAMIC LIGHT ENGINE IS DIMMABLE AND FEATURES A SIMPLE APPROACH TO CIRCADIAN LIGHTING CONTROLS.
- WHEN PAIRED WITH THE BIOS BIO-DIMMING MODULE, IT OPERATES USING ANY SINGLE CHANNEL CONSTANT CURRENT (CC) LED DRIVER AND CAN BE USED WITH ANY STANDARD DIMMING INTERFACE/PROTOCOL (0-10V, ELV, DMX, WIRELESS) AND COULD WORK WITH EXISTING TWO-CHANNEL CONTROL SYSTEMS AS WELL.
- VISIT [OCL.COM/BIOS](http://OCL.COM/BIOS) FOR MORE INFORMATION

### FOR MODIFIED & CUSTOM CONFIGURATIONS\*\*\*

#### SCN STRAIGHT CONNECTOR

- NOTE: SCN** IS INSTALLED AND CONNECTED AT THE FACTORY.



#### ACN ADJUSTABLE CONNECTOR (PIEW ONLY)

- NOTE: ACN** IS INSTALLED AND CONNECTED AT THE FACTORY



#### MOD MODIFIED LUMINAIRE

- LUMINAIRE IS MODIFIED FROM STANDARD OPTIONS; CONTACT LOCAL REP FOR MORE INFORMATION

## SPECIFICATIONS

### CONSTRUCTION

- EXTRUDED AND MACHINED ALUMINUM BODY AND END CAPS
- EXTRUDED HIGH-PERFORMANCE FROSTED OPAL ACRYLIC DIFFUSER
- GALVANIZED STEEL AIRCRAFT CABLE
- HARDWARE IS ZINC PLATED STEEL OR STAINLESS STEEL
- CANOPY IS ALUMINUM

### MOUNTING

- **PIEW** AND **S1SC** BOTH MOUNT TO 4X4" OCTAGON OR 4" ROUND J-BOX (BY OTHER)

### ELECTRICAL

- DIMMING ELECTRONIC DRIVER(S), COMES STANDARD WITH 0-10V DOWN TO 1%.
- LUTRON (LDE1) ECOSYSTEM 1% ALSO AVAILABLE
- OCL PROPRIETARY LED ARRAYS USE NICHIA 757 DIODES
- LUMINAIRE WIRE LEADS ARE LOW-VOLTAGE; THE WIRES SHOULD BE CONNECTED TO OCL PROVIDED REMOTE DRIVER ENCLOSURE ONLY!

### LISTING

- ETL LISTED TO UL1598 FOR INDOOR; DRY LOCATION (DAMP LOCATION OPTIONAL)

### WARRANTY

- 5 YEAR; ALL ELECTRICAL COMPONENTS RETAIN THE MANUFACTURER'S WARRANTY

### SUSTAINABILITY

- THIS PRODUCT MEETS THE MATERIAL RESTRICTIONS OF ARTICLE 4 OF THE **ROHS** DIRECTIVE (2011/65/EU), INCLUDING COMMISSION DELEGATED DIRECTIVE 2015/863
- **BIOS** LIGHTING CONTRIBUTES TOWARD THE CIRCADIAN LIGHTING DESIGN FEATURE 54 UNDER THE **WELL BUILDING STANDARD™ V1** AND FEATURE L03 UNDER THE **WELL BUILDING STANDARD V2**

## COMMON MODIFICATIONS

### WE'RE BUILT FOR OUT-OF-THE-BOX THINKERS.

Nearly 50% of OCL fixtures we manufacture have some type of modification. Here is a list of common modifications we frequently produce. **Please contact the factory for modifications specific to your fixture or project.**

Need some help? Simply send your questions to us at [OCL-Quotes@ocl.com](mailto:OCL-Quotes@ocl.com)

- BIOS, TUNABLE WHITE, WARM-DIM, & RGBW LIGHT SOURCES
- SPECIFIC LUMEN OUTPUT
- MODIFIED CLUSTERS OR CONFIGURATIONS / MULTI-DROP CANOPIES
- VARIOUS SHAPES, ARCS, AND CURVES FOR LINEAR PROFILES AND RINGS
- CEILING OR SURFACE MOUNTING
- LARGE SCALE MODIFICATIONS
- RAL, PANTONE, BRAND-SPECIFIC, RETIRED OCL COLOR, OR CUSTOM FINISHES



- EMERGENCY BATTERY BACKUP OR INVERTER OPTIONS
- REMOTE DRIVERS / EXTENDED DISTANCE REMOTE DRIVERS
- DIMMING TO 0.1% (DIM TO DARK)
- NON-STANDARD SIZES OR LENGTHS
- NON-STANDARD CANOPY, BODY AND/OR CORD COLORS
- SEISMIC AND/OR ANTI-SWAY SYSTEMS
- RIGID STEMS
- MODIFIED OVERALL HEIGHTS (LONGER OR SHORTER OAH)
- UPLIGHT ADDITIONS
- LASER ETCHING, ENGRAVING, AND CUTOUTS

The drawings and specifications and ideas, designs and arrangements represented on these drawings are and shall remain the property of The Original Cast Lighting (OCL Architectural Lighting) and no part thereof shall be copied, disclosed, to others or used in conjunction with any work or project other than the specified project for which they have been prepared and developed, without written consent of OCL. Visual contact with these plans or specifications shall constitute conclusive evidence of acceptance of these restrictions. All specifications and information subject to change without notice.