

Cirque™

PENDANT





- SLIM-PROFILE 4.275" DRUM LUMINAIRE AVAILABLE IN PENDANT, SURFACE, AND WALL MOUNT CONFIGURATIONS
- AVAILABLE IN 14", 18", 24", 36", AND 48" DIAMETERS
- AVAILABLE IN DIRECT AND DIRECT/INDIRECT ILLUMINATION OPTIONS
- MULTIPLE LENS CONFIGURATIONS AVAILABLE INCLUDING FLUSH MOUNT, 0.75" DROP LENS, AND 0.75" REGRESS LENS OPTIONS
- PRECISION-ROLLED ALUMINUM HOUSING WITH FULLY LUMINOUS ACRYLIC DIFFUSER
- PROPRIETARY 90+ CRI LED LIGHT ENGINE DESIGNED FOR SMOOTH, EVEN ILLUMINATION ACROSS THE ENTIRE DIFFUSER SURFACE
- UNIVERSAL VOLTAGE (120-277V)
- STANDARD 0-10V DIMMING (1%)
- FIELD-REPLACEABLE LED DRIVER COMPONENTS



CATALOG CODES

A	B	C	D	E	F	G	H	I	J		
SERIES	HANGING SYSTEM	SIZE	DIFFUSER	FINISH	LIGHT SOURCE DIRECT	LIGHT SOURCE INDIRECT	COLOR TEMP	UNV VOLTAGE	OAH	DM1 CONTROL	OPTIONS

SPECIFY CATALOG CODE										
A	B				C	D	E			
SERIES	HANGING SYSTEM*				SIZE	DIFFUSER		FINISH		
 CQ2 CIRQUE DIRECT	PIEM MOUNTING TYPE PENDANT WITH VERTICAL AIRCRAFT CABLES TO SEPARATE MOUNTING POINTS AND POWER CORD TO CANOPY				B BLACK POWER CORD W WHITE POWER CORD	CQ2 14 18 24 36 48	MWF MATTE WHITE FLUSH LENS MWD MATTE WHITE DROP LENS MWR MATTE WHITE REGRESS LENS	POWDER COAT FINISHES BTP BLACK TEXTURED WTP WHITE TEXTURED SMP SILVER METALLIC		
	 CQ3 CIRQUE DIRECT/INDIRECT	PIEC MOUNTING TYPE PENDANT WITH 3 ANGLED AIRCRAFT CABLES AND A POWER CORD TO CANOPY								CQ3 24 36 48
F			G	H	I	J				
LIGHT SOURCE			VOLTAGE	OAH**	CONTROL		OPTIONS			
LED OUTPUT DIRECT LED1 LED2 LED3	LED OUTPUT INDIRECT LED1 LED2 LED3 (NOTE: CQ3 ONLY)	COLOR TEMP (90+ CRI) 927K 930K 935K 940K	UNV 120-277	48 100 144	DM1 0-10V DIMMING 1%	DUC DUAL CIRCUITING (NOTE: CQ3 ONLY) ULD UL DAMP LABEL MOD MODIFIED LUMINAIRE (CONTACT LOCAL REP)				

SAMPLE CODE: CQ2-PIEC-B-36-MWF-BTP-LED1-927K-UNV-48-DM1

*Fixtures with **PIEC** hanging system, canopy will match finish choice. Fixtures with **PIEM** hanging system, canopy will be **MWP** unless specified.
 **For Minimum OAH, see hanging systems details. Fixture will ship with one of three standard OAH's (48", 100" or 144") field adjustable to the desired height.

MODS, NOTES, & COMMENTS

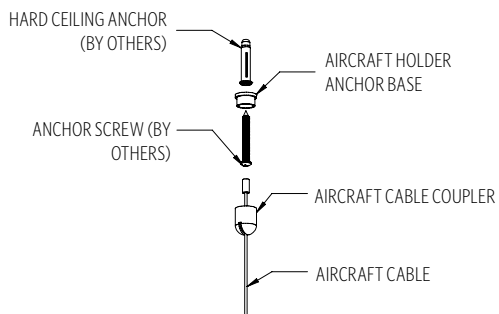
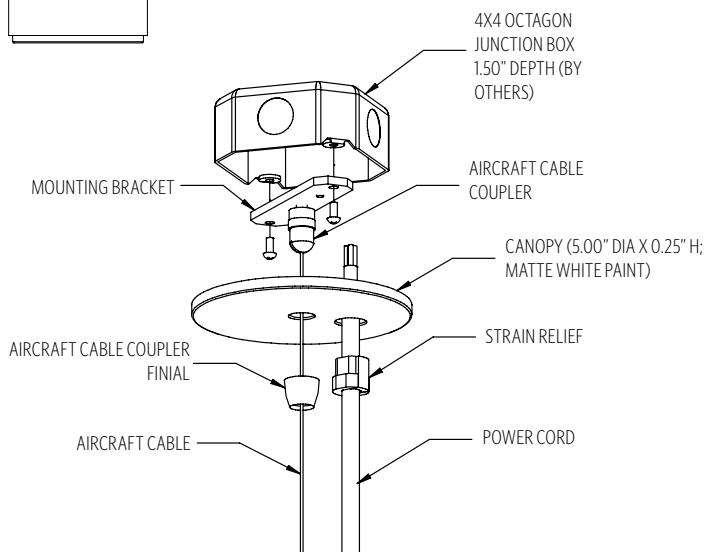
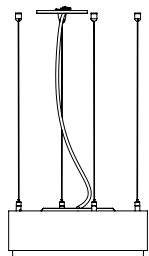
LUMENS AND WATTAGE CHART

		LUMENS AND WATTAGE CHART								
		CQ2 - DIRECT					CQ3 - DIRECT/INDIRECT			
		14"	18"	24"	36"	48"	24"	36"	48"	
LED1	LUMENS DELIVERED	725	1105	1505	4015	7915	3230 (1505/1170)	7400 (4015/3380)	13005 (7915/5090)	
	SYSTEM WATTAGE	10	13	18	46	85	32	72	126	
LED2	LUMENS DELIVERED	1225	1875	2545	6775	13365	5080 (2545/2530)	11750 (6775/4970)	20850 (13365/7485)	
	SYSTEM WATTAGE	15	22	29	78	150	50	119	211	
LED3	LUMENS DELIVERED	1690	2590	3500	9370	18450	6790 (3500/3290)	15830 (9370/6455)	28170 (18450/9720)	
	SYSTEM WATTAGE	21	30	41	114	220	69	170	304	

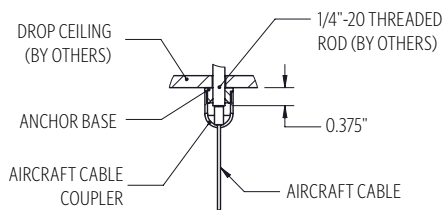
This chart was created for a 35K color temp. Multiply by 0.95 for 27k color temp, 0.97 for 30k color temp, and 1.03 for 40k color temp. Values shown for 90+ CRI.

HANGING SYSTEM

PIEM PENDANT WITH VERTICAL AIRCRAFT CABLES TO SEPARATE MOUNTING POINTS AND POWER CORD TO CANOPY



HARD CEILING

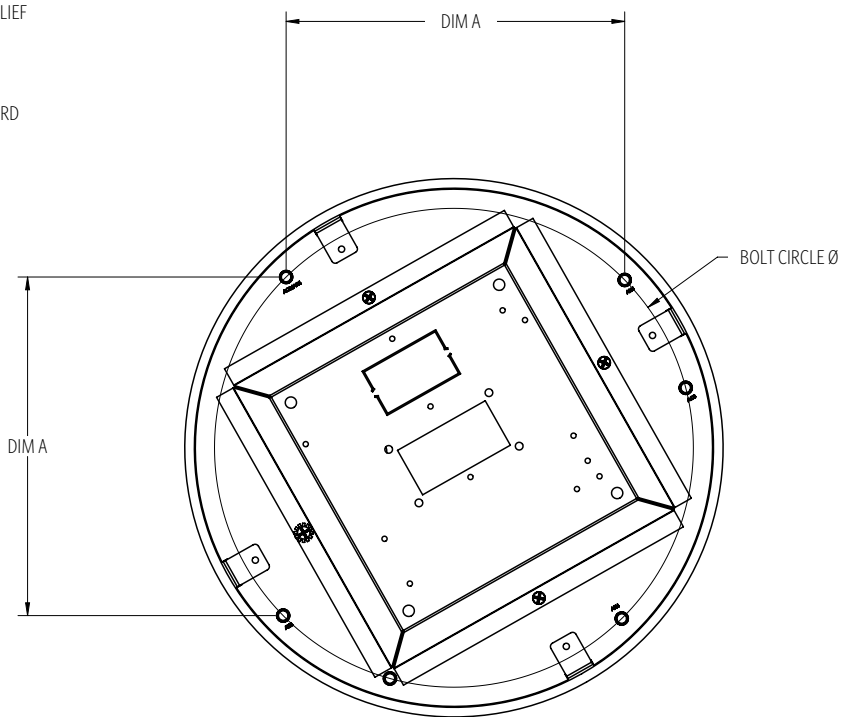


DROP CEILING

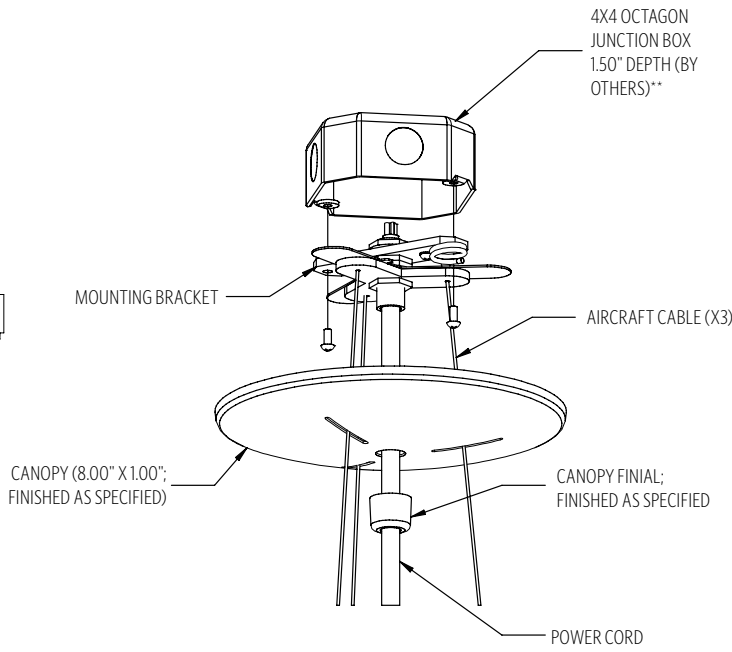
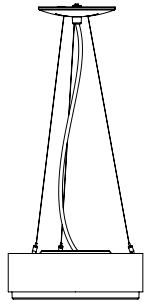
MOUNTING INFORMATION CHART

LUMINAIRE DIAMETER	LUMINAIRE WEIGHT	MOUNTING DISTANCE DIM A	BOLT CIRCLE DIAMETER	MOUNTING POINTS	MIN/MAX OAH
14"	15 LBS.	8.750"	12.500"	4	8"/144"
18"	20 LBS.	11.250"	16.000"	4	8"/144"
24"	25 LBS.	14.125"	20.000"	4	8"/144"
36"	47 LBS.	22.500"	32.000"	4	8"/144"
48"	70 LBS.	31.000"	44.000"	4	8"/144"

PIEM ships with one of three OAH's (48", 100" or 144"); field adjustable to the desired height.



PIEC PENDANT WITH 3 ANGLED AIRCRAFT CABLES AND A POWER CORD TO CANOPY

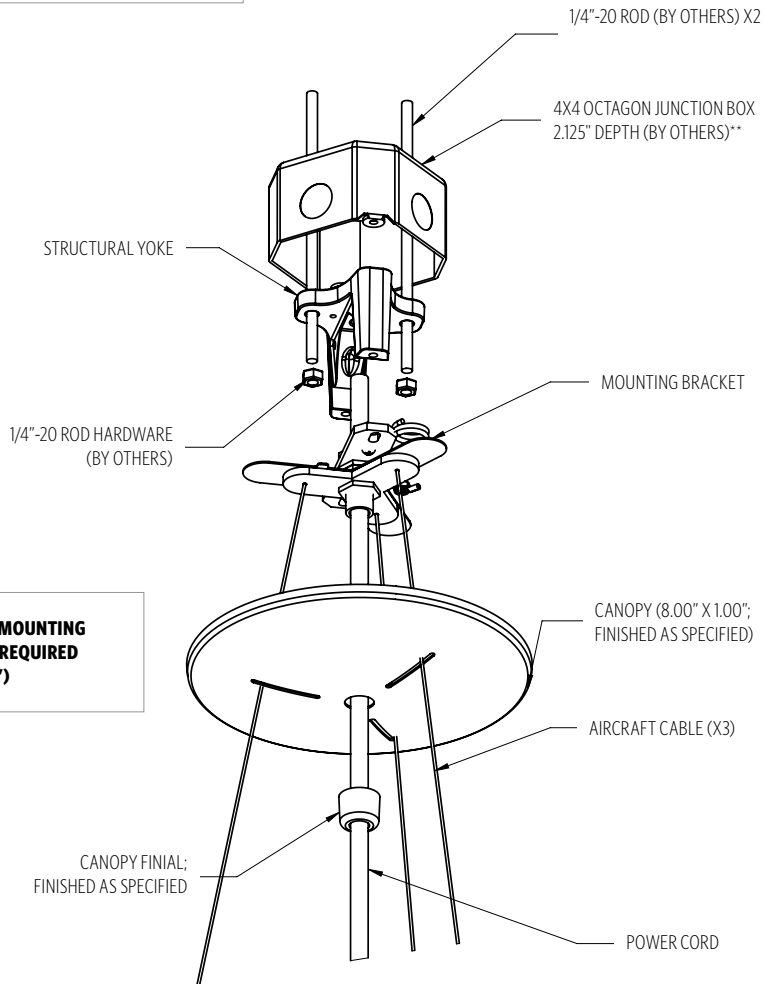


**STANDARD MOUNTING
UNDER 55 LBS
(14\"/>**

MOUNTING INFORMATION CHART			
LUMINAIRE DIAMETER	LUMINAIRE WEIGHT	MOUNTING POINTS	MIN/MAX OAH
14"	15 LBS	1	8.75"/144"
18"	20 LBS	1	10"/144"
24"	25 LBS	1	11.125"/144"
36"	47 LBS	1	14.50"/144"
48"	70 LBS	1	18"/144"

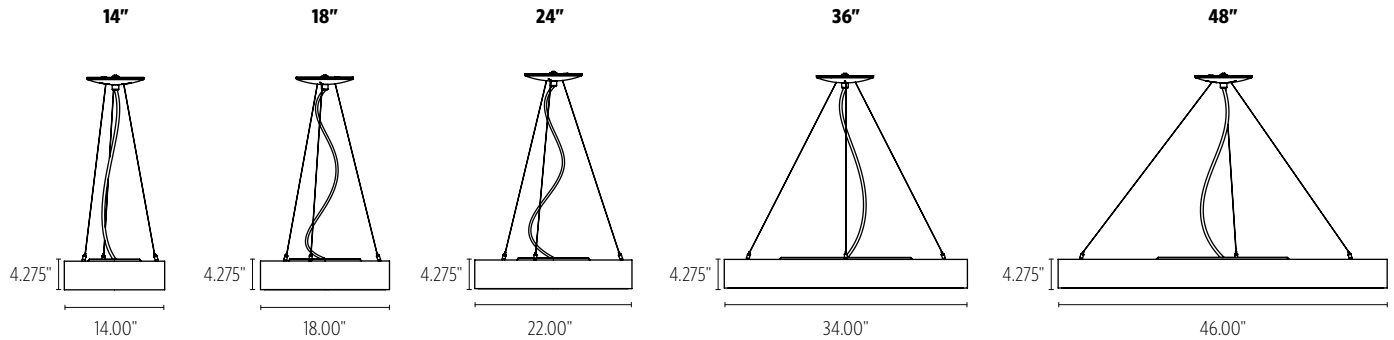
PIEC ships with one of three OAH's (48", 100" or 144") and is field adjustable to the desired height.

NOTE: Structural mounting required for any fixtures over 55 lbs (by others) See below.



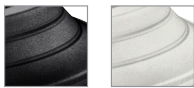
**STRUCTURAL MOUNTING
OVER 55 LBS REQUIRED
(48\"/>**

SIZES



FINISH

TEXTURED POWDER COAT FINISHES:



BTP BLACK TEXTURED
WTP WHITE TEXTURED

METALLIC POWDER COAT FINISHES:



SMP SILVER METALLIC

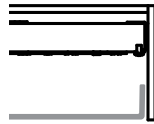
RAL[®], Pantone[®] or custom finishes are also available.

These colors are for reference only. Please be aware that colors may vary per monitor. Contact your local rep for finish samples or with any questions.

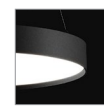
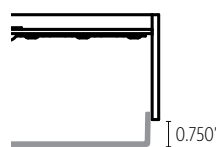
DIFFUSER



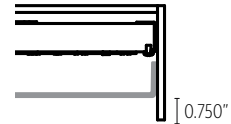
MWF MATTE WHITE FLUSH LENS



MWD MATTE WHITE DROP LENS



MWR MATTE WHITE REGRESS LENS



LIGHT SOURCE

LUMENS AND WATTAGE CHART

		CQ2 - DIRECT					CQ3 - DIRECT/INDIRECT		
		14"	18"	24"	36"	48"	24"	36"	48"
LED1	LUMENS DELIVERED	725	1105	1505	4015	7915	3230 (1505/1720)	7400 (4015/3380)	13005 (7915/5090)
	SYSTEM WATTAGE	10	13	18	46	85	32	72	126
LED2	LUMENS DELIVERED	1225	1875	2545	6775	13365	5080 (2545/2530)	11750 (6775/4970)	20850 (13365/7485)
	SYSTEM WATTAGE	15	22	29	78	150	50	119	211
LED3	LUMENS DELIVERED	1690	2590	3500	9370	18450	6790 (3500/3290)	15830 (9370/6455)	28170 (18450/9720)
	SYSTEM WATTAGE	21	30	41	114	220	69	170	304

This chart was created for a 35K color temp. Multiply by 0.95 for 27k color temp, 0.97 for 30k color temp, and 1.03 for 40k color temp. Values shown for 90+ CRI.

ZONE	CQ2-LED1 (DIRECT)		CQ3 - LED1 (DIRECT/INDIRECT)	
	LUMENS	% OF LUMINAIRE	LUMENS	% OF LUMINAIRE
0-30	1095	28%	1095	15%
0-60	3165	79%	3165	43%
0-90	4015	100%	4015	54%
90-180	0	0%	3380	46%

PHOTOMETRY:

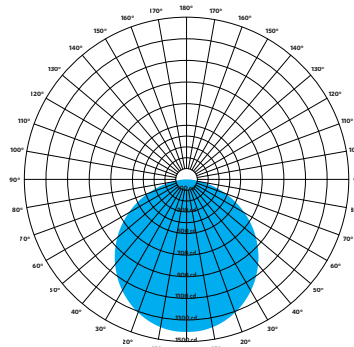
FIXTURE: CQX-XXXX-X-36-MWF-XXX-LED1-935K
 COLOR TEMP #: 3500K
 EFFICACY: UP TO 106 LM/W
 TEST REPORT: TEST NO. ITL92435
 For all available IES files, please visit our website at ocl.com.

LUMEN MAINTENANCE - 14", 18", 24"

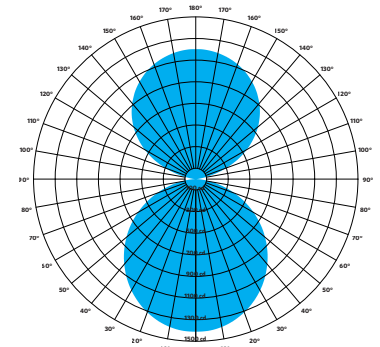
REPORTED: L70 AT > 60000 HRS
 CALCULATED: L70 AT 190000 HRS
 REPORTED: L90 AT 57000 HRS
 CALCULATED: L90 AT 57000 HRS

LUMEN MAINTENANCE - 36", 48"

REPORTED: L70 AT > 60000 HRS
 CALCULATED: L70 AT 185000 HRS
 REPORTED: L90 AT 55000 HRS
 CALCULATED: L90 AT 55500 HRS



CQ2-LED1 (DIRECT)



CQ3 - LED1 (DIRECT/INDIRECT)

CONTROL

DM1 0-10V DIMMING DOWN TO 1%

- 0-10V DIMMING
- 1% MINIMUM DIMMING LEVEL
- POWER FACTOR >0.9
- THD <20%
- MIN AMBIENT OPERATING TEMPERATURE = -40°F
- LINEAR DIMMING CURVE
- FIELD REPLACEABLE

OPTIONS

DUC DUAL CIRCUITING

- DUAL-CIRCUITED DIRECT/INDIRECT CONFIGURATION PROVIDES INDEPENDENT CONTROL OF DIRECT AND INDIRECT ILLUMINATION FOR SEPARATE SWITCHING AND DIMMING.

ULD DAMP LABEL LUMINAIRE

- MAY BE USED IN A OUTDOOR AREA THAT IS PROTECTED FROM DIRECT CONTACT WITH WIND, RAIN, SNOW OR EXCESSIVE MOISTURE

MOD MODIFIED LUMINAIRE

- LUMINAIRE IS MODIFIED FROM STANDARD OPTIONS. CONTACT LOCAL REP FOR MORE INFORMATION

SPECIFICATIONS

CONSTRUCTION

- ALUMINUM FIXTURE HOUSING IS ROLLED AND WELDED FOR A SEAMLESS FINISH
- BOTTOM DIFFUSER IS VIRGIN WHITE ACRYLIC
- HANGING SYSTEMS USE STEEL OR ALUMINUM CANOPIES WITH AIRCRAFT CABLE SUPPORTS
- HARDWARE IS STEEL OR STAINLESS STEEL

MOUNTING

- **PIEC** AND **PIEM** MOUNT TO 4X4" OCTAGON OR 4" ROUND J-BOX (BY OTHER) **NOTE:** STRUCTURAL MOUNTING REQUIRED FOR ANY FIXTURES OVER 55 LBS (BY OTHERS).

ELECTRICAL

- DIMMING ELECTRONIC DRIVER(S), COMES STANDARD WITH 0-10V DOWN TO 1%
- LUMINAIRE CONNECTS TO STANDARD BUILDING SUPPLY (120V - 277V, 50/60HZ)

LISTING

- ETL LISTED TO UL1598 FOR INDOOR, DRY LOCATION; DAMP LOCATION (**ULD**) LISTED IS OPTION

WARRANTY

- 5 YEAR; ALL ELECTRICAL COMPONENTS RETAIN THE MANUFACTURER'S WARRANTY

BUILD AMERICA, BUY AMERICA (BABA)

- THIS PRODUCT MEETS THE GUIDELINES FOR THE BUILD AMERICA, BUY AMERICA ACT. **SOME EXCLUSIONS APPLY.** FOR MORE INFORMATION AND A FULL LIST OF ELIGIBLE SKUS, VISIT **OCL.COM/BABA**

SUSTAINABILITY

- THIS PRODUCT MEETS THE MATERIAL RESTRICTIONS OF ARTICLE 4 OF THE **ROHS** DIRECTIVE (2011/65/EU), INCLUDING COMMISSION DELEGATED DIRECTIVE 2015/863

SAFETY REGULATIONS

- CAN BE USED FOR **TITLE 24 PART 6** AND **JA8-2016E** COMPLIANCE — CONTACT YOUR REP FOR HELP WITH YOUR PROJECT REQUIREMENTS AND LUMINAIRE SPECIFICATION

COMMON MODIFICATIONS

WE'RE BUILT FOR OUT-OF-THE-BOX THINKERS.

Nearly 50% of OCL fixtures we manufacture have some type of modification. Here is a list of common modifications we frequently produce. **Please contact the factory for modifications specific to your fixture or project.**

Need some help? Simply send your questions to us at **OCL-Quotes@ocl.com**

- BIOS, TUNABLE WHITE, WARM-DIM, & RGBW LIGHT SOURCES
- SPECIFIC LUMEN OUTPUT
- MODIFIED CLUSTERS OR CONFIGURATIONS / MULTI-DROP CANOPIES
- VARIOUS SHAPES, ARCS, AND CURVES FOR LINEAR PROFILES AND RINGS
- CEILING OR SURFACE MOUNTING
- LARGE SCALE MODIFICATIONS
- RAL, PANTONE, BRAND-SPECIFIC, RETIRED OCL COLOR, OR CUSTOM FINISHES



- EMERGENCY BATTERY BACKUP OR INVERTER OPTIONS
- REMOTE DRIVERS / EXTENDED DISTANCE REMOTE DRIVERS
- DIMMING TO 0.1% (DIM TO DARK)
- NON-STANDARD SIZES OR LENGTHS
- NON-STANDARD CANOPY, BODY AND/OR CORD COLORS
- SEISMIC AND/OR ANTI-SWAY SYSTEMS
- RIGID STEMS
- MODIFIED OVERALL HEIGHTS (LONGER OR SHORTER OAH)
- UPLIGHT ADDITIONS
- LASER ETCHING, ENGRAVING, AND CUTOUTS

The drawings and specifications and ideas, designs and arrangements represented on these drawings are and shall remain the property of The Original Cast Lighting (OCL Architectural Lighting) and no part thereof shall be copied, disclosed, to others or used in conjunction with any work or project other than the specified project for which they have been prepared and developed, without written consent of OCL. Visual contact with these plans or specifications shall constitute conclusive evidence of acceptance of these restrictions. All specifications and information subject to change without notice.