



Cirque™

PENDANT

FEATURES

- SPUN ALUMINUM FIXTURE HOUSING
- BOTTOM DIFFUSER IS VIRGIN WHITE ACRYLIC
- FIELD REPLACEABLE DRIVERS ARE SIMPLE AND REQUIRES MINIMAL EFFORT
- 3 STEP COLOR BINNING
- INTEGRAL DRIVER


MADE IN USA



CATALOG CODES

CQ1	-	P1EC	-	C	-	D	-	E	-	F	-	UNV	-	H	-	DM1	-	J
SERIES		HANGING SYSTEM		SIZE		DIFFUSER		FINISH		LIGHT SOURCE		VOLTAGE		OAH		CONTROL		OPTIONS

SPECIFY CATALOG CODE

A		B		C		D		E		
SERIES		HANGING SYSTEM		SIZE		DIFFUSER		FINISH		
 CQ1 CIRQUE		P1EC PENDANT WITH 3 ANGLED AIRCRAFT CABLES AND A WHITE POWER CORD TO CANOPY		26 38 50		MW MATTE WHITE GW GLOSS WHITE		POWDER COAT FINISHES BKP BLACK MWP MATTE WHITE BMP BRASS METALLIC SGP STEEL GRAY BNP BRONZE SMP SILVER METALLIC BTP BLACK TEXTURED SWP SKY WHITE GRP GRAPHITE WTP WHITE TEXTURED GLP GOLDTASTIC PREMIUM METAL FINISHES BAL BRUSHED ALUMINUM		
F			G		H		I		J	
LED OUTPUT			VOLTAGE		OAH		CONTROL		OPTIONS	
LED1 LED2			UNV 120-277		48 100 144		DM1 0-10V DIMMING 1%		ULD UL DAMP LABEL BIOS BIOS SKYBLUE® OR BIOS SKLY-BLUE® DYNAMIC LIGHT ENGINE** MOD MODIFIED LUMINAIRE (CONTACT LOCAL REP)	
COLOR TEMP (80+ CRI) 27K 30K 35K 40K			COLOR TEMP (90+ CRI) 927K 930K 935K 940K							

SAMPLE CODE: CQ1-P1EC-38-GW-MWP-LED1/27K-UNV-32-DM1

*For Minimum OAH, see hanging systems details. Fixture will ship with one of three standard OAH's (48", 100" or 144") field adjustable to the desired height.

**Contact factory for BIOS SkyBlue® or BIOS SkyBlue® Dynamic light engine and control options.

Fixture canopy will match finish choice.

Power cord white unless specified.

UP TO **82** LM/W

LUMENS AND WATTAGE CHART

		26"	38"	50"
LED1	LUMENS DELIVERED	4760	8940	15170
	SYSTEM WATTAGE	58	109	185
LED2	LUMENS DELIVERED	5820	10980	18860
	SYSTEM WATTAGE	71	134	230

This chart was created for a 35K color temp. Multiply by 0.95 for 27k color temp, 0.97 for 30k color temp, and 1.03 for 40k color temp. Values shown for 80+ CRI. For 90+ CRI lumens use 0.85 multiplier.

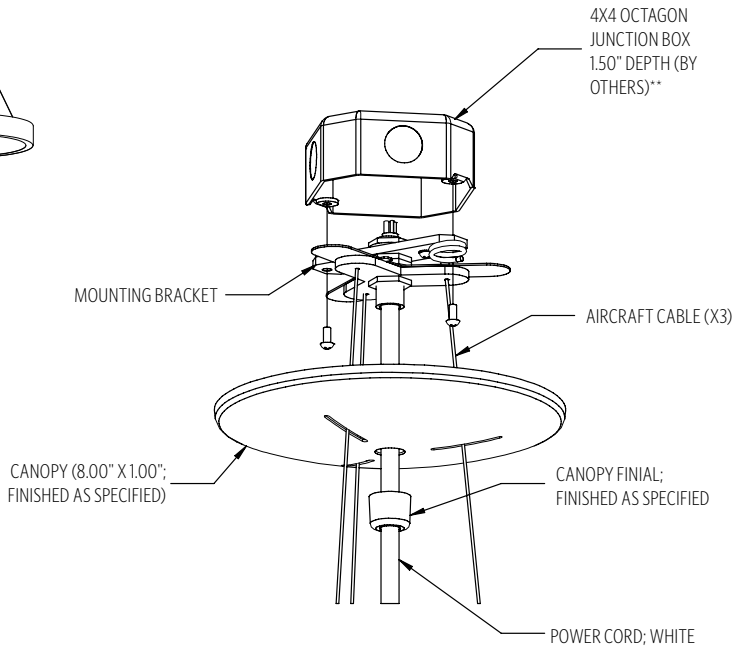
MODS, NOTES, & COMMENTS



This product meets the material restrictions of Article 4 of the RoHS Directive (2011/65/EU), including Commission Delegated Directive 2015/863.

HANGING SYSTEM

PIEC PENDANT MOUNT - W/ ANGLED AIRCRAFT CABLES

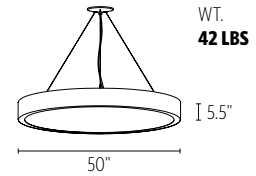


MOUNTING INFORMATION CHART

LUMINAIRE DIAMETER	LUMINAIRE WEIGHT	MOUNTING POINTS	MIN/MAX OAH
26"	22LBS	1	15"/144"
38"	27LBS	1	21"/144"
50"	42LBS	1	31"/144"

* PIEC ships with one of three OAH's (48", 100" or 144") and is field adjustable to the desired height.

SIZES



DIFFUSER



FINISH

METALLIC POWDER COAT FINISHES:



PREMIUM METAL FINISHES:



SOLID POWDER COAT FINISHES:



TEXTURED POWDER COAT FINISHES:



RAL[®], Pantone[®] or custom finishes are also available.

These colors are for reference only. Please be aware that colors may vary per monitor. Contact your local rep for finish samples or with any questions.

LIGHT SOURCE

LUMENS AND WATTAGE CHART

		26"	38"	50"
LED1	LUMENS DELIVERED	4760	8940	15170
	SYSTEM WATTAGE	58	109	185
LED2	LUMENS DELIVERED	5820	10980	18860
	SYSTEM WATTAGE	71	134	230

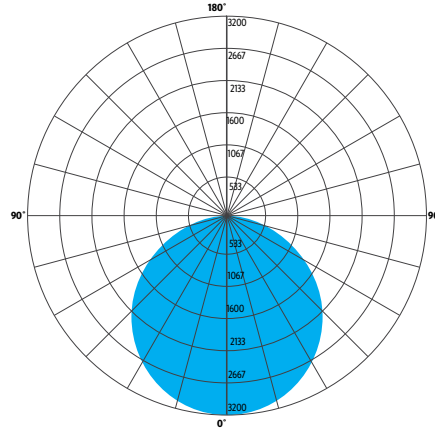
This chart was created for a 35K color temp. Multiply by 0.95 for 27k color temp, 0.97 for 30k color temp, and 1.03 for 40k color temp. Values shown for 80+ CRI. For 90+ CRI lumens use 0.85 multiplier.

STANDARD COLOR TEMPERATURE OPTIONS	CRI (RA)	
2700K	80+	90+
3000K	80+	90+
3500K	80+	90+
4000K	80+	90+

ZONE	LUMENS	% OF LUMINAIRE
0-30	2469	28%
0-60	7126	80%
0-90	8955	100%
90-180	0	0%

PHOTOMETRY:

FIXTURE: CQ1-P1EC-38-GW-MWP-ILD128_35K-120-40
 COLOR TEMP #: 3500K
 OUTPUT: 8955
 EFFICACY: 82 LM/W
 TEST REPORT: TEST NO. 17450.0



For all available IES files, please visit our website at ocl.com.

CONTROL

DM1 0-10V DIMMING DOWN TO 1%

- 0-10V DIMMING
- 1% MINIMUM DIMMING LEVEL
- ELECTRONIC DRIVER
- POWER FACTOR >0.9
- THD <20%
- MIN AMBIENT OPERATING TEMPERATURE = -40°F
- FIELD REPLACEABLE

OPTIONS

ULD DAMP LABEL LUMINAIRE

- MAY BE USED IN A OUTDOOR AREA THAT IS PROTECTED FROM DIRECT CONTACT WITH WIND, RAIN, SNOW OR EXCESSIVE MOISTURE

MOD MODIFIED LUMINAIRE

- LUMINAIRE IS MODIFIED FROM STANDARD OPTIONS. CONTACT LOCAL REP FOR MORE INFORMATION

BIOS

- **BIOS SKYBLUE™** DYNAMIC LIGHT ENGINE IS DIMMABLE AND FEATURES A SIMPLE APPROACH TO CIRCADIAN LIGHTING CONTROLS.
- WHEN PAIRED WITH THE BIOS BIO-DIMMING MODULE, IT OPERATES USING ANY SINGLE CHANNEL CONSTANT CURRENT (CC) LED DRIVER AND CAN BE USED WITH ANY STANDARD DIMMING INTERFACE/PROTOCOL (0-10V, ELV, DMX, WIRELESS) AND COULD WORK WITH EXISTING TWO-CHANNEL CONTROL SYSTEMS AS WELL.
- VISIT OCL.COM/BIOS FOR MORE INFORMATION

SPECIFICATIONS

CONSTRUCTION

- SPUN ALUMINUM FIXTURE HOUSING
- BOTTOM DIFFUSER IS WHITE ACRYLIC
- HANGING SYSTEMS USE STEEL OR ALUMINUM CANOPIES WITH AIRCRAFT CABLE SUPPORTS
- HARDWARE IS STEEL OR STAINLESS STEEL

MOUNTING

- **PIEC** MOUNTS TO 4X4" OCTAGON OR 4" ROUND J-BOX (BY OTHER)

ELECTRICAL

- DIMMING ELECTRONIC DRIVER(S), COMES STANDARD WITH 0-10V DOWN TO 1%
- OCL PROPRIETARY LED ARRAYS USE NICHIA 757 DIODES
- LUMINAIRE CONNECTS TO STANDARD BUILDING SUPPLY (120V - 277V, 50/60HZ)

LISTING

- ETL LISTED TO UL1598 FOR INDOOR, DRY LOCATION (DAMP LOCATION OPTIONAL)

WARRANTY

- 5 YEAR; ALL ELECTRICAL COMPONENTS RETAIN THE MANUFACTURER'S WARRANTY

SUSTAINABILITY

- THIS PRODUCT MEETS THE MATERIAL RESTRICTIONS OF ARTICLE 4 OF THE **ROHS** DIRECTIVE (2011/65/EU), INCLUDING COMMISSION DELEGATED DIRECTIVE 2015/863
- **BIOS** LIGHTING CONTRIBUTES TOWARD THE CIRCADIAN LIGHTING DESIGN FEATURE 54 UNDER THE **WELL BUILDING STANDARD™ V1** AND FEATURE L03 UNDER THE **WELL BUILDING STANDARD V2**

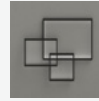
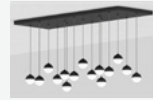
COMMON MODIFICATIONS

WE'RE BUILT FOR OUT-OF-THE-BOX THINKERS.

Nearly 50% of OCL fixtures we manufacture have some type of modification. Here is a list of common modifications we frequently produce. **Please contact the factory for modifications specific to your fixture or project.**

Need some help? Simply send your questions to us at OCL-Quotes@ocl.com

- BIOS, TUNABLE WHITE, WARM-DIM, & RGBW LIGHT SOURCES
- SPECIFIC LUMEN OUTPUT
- MODIFIED CLUSTERS OR CONFIGURATIONS / MULTI-DROP CANOPIES
- VARIOUS SHAPES, ARCS, AND CURVES FOR LINEAR PROFILES AND RINGS
- CEILING OR SURFACE MOUNTING
- LARGE SCALE MODIFICATIONS
- RAL, PANTONE, BRAND-SPECIFIC, RETIRED OCL COLOR, OR CUSTOM FINISHES



- EMERGENCY BATTERY BACKUP OR INVERTER OPTIONS
- REMOTE DRIVERS / EXTENDED DISTANCE REMOTE DRIVERS
- DIMMING TO 0.1% (DIM TO DARK)
- NON-STANDARD SIZES OR LENGTHS
- NON-STANDARD CANOPY, BODY AND/OR CORD COLORS
- SEISMIC AND/OR ANTI-SWAY SYSTEMS
- RIGID STEMS
- MODIFIED OVERALL HEIGHTS (LONGER OR SHORTER OAH)
- UPLIGHT ADDITIONS
- LASER ETCHING, ENGRAVING, AND CUTOUTS

The drawings and specifications and ideas, designs and arrangements represented on these drawings are and shall remain the property of The Original Cast Lighting (OCL Architectural Lighting) and no part thereof shall be copied, disclosed, to others or used in conjunction with any work or project other than the specified project for which they have been prepared and developed, without written consent of OCL. Visual contact with these plans or specifications shall constitute conclusive evidence of acceptance of these restrictions. All specifications and information subject to change without notice.