

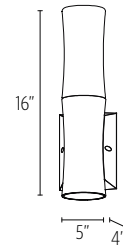


# Bamboo™

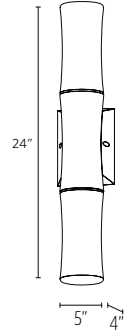
SCONCE / OUTDOOR

**FEATURES**

- EXCELLENT THERMAL MANAGEMENT IS ACHIEVED THROUGH A DIE-CAST ALUMINUM FIXTURE BODY
- INJECTION MOLDED DIFFUSER SEAMLESSLY THREADS INTO FIXTURE BODY; ACRYLIC IS UV STABLE, F1 RATED AND UL-94 HB FLAME RATED
- IP66 PROTECTION RATING AND ETL LISTED FOR WET LOCATION (**010A** ONLY)
- FIELD REPLACEMENT FOR LED ARRAY AND DRIVER (**SISA** ONLY)
- 3 STEP COLOR BINNING
- FIXTURE IS ADA COMPLIANT



WT. **6 LBS**





WT. **8 LBS**



**CATALOG CODES**

<b>A</b>	<b>B</b>	<b>C</b>	<b>D</b>	<b>E</b>	<b>F</b>	<b>UNV</b>	<b>DM1</b>	<b>J</b>
<b>SERIES</b>	<b>HANGING SYSTEM</b>	<b>SIZE</b>	<b>DIFFUSER</b>	<b>FINISH</b>	<b>LIGHT SOURCE</b>	<b>VOLTAGE</b>	<b>CONTROL</b>	<b>OPTIONS</b>

SPECIFY CATALOG CODE						
A	B		C	D	E	
SERIES	HANGING SYSTEM		SIZE	DIFFUSER	FINISH	
 <b>BA1</b> UP <b>OR</b> DOWN ILLUMINATION	<b>SISA</b>	INDOOR ADA COMPLIANT SCONCE	<b>16</b>	<b>GW</b>	GLOSS WHITE ACRYLIC	<b>POWDER COAT FINISHES</b> <b>BKP</b> BLACK <b>BMP</b> BRASS METALLIC <b>BNP</b> BRONZE <b>BTP</b> BLACK TEXTURED <b>GRP</b> GRAPHITE <b>GLP</b> GOLDTASTIC <b>MWP</b> MATTE WHITE <b>SGP</b> STEEL GRAY <b>SMP</b> SILVER METALLIC <b>SWP</b> SKY WHITE <b>WTP</b> WHITE TEXTURED
	<b>010A</b>	OUTDOOR ADA COMPLIANT SCONCE		<b>MW</b>	MATTE WHITE ACRYLIC ( <b>SISA</b> ONLY)	
 <b>BA2</b> UP <b>AND</b> DOWN ILLUMINATION			<b>24</b>			

F			G	H	I
LIGHT SOURCE			VOLTAGE	CONTROL	OPTIONS
<b>16"</b>			<b>UNV</b> 120-277	<b>DM1</b> 0-10V DIMMING 1%	<b>ULD</b> DAMP LABEL ( <b>SISA</b> ONLY) <b>BIOS</b> BIOS SKYBLUE™ OR BIOS SKYBLUE™ DYNAMIC LIGHT ENGINE* <b>MOD</b> MODIFIED LUMINAIRE (CONTACT LOCAL REP)
<b>LED OUTPUT</b>	<b>COLOR TEMP</b> (80+ CRI)	<b>COLOR TEMP</b> (90+ CRI)			
<b>LED1</b>	<b>27K</b>	<b>927K</b>			
<b>LED2</b>	<b>30K</b>	<b>930K</b>			
<b>LED3</b>	<b>35K</b>	<b>935K</b>			
<b>24"</b>	<b>40K</b>	<b>940K</b>			
<b>LED1</b>					
<b>LED2</b>					

LUMENS AND WATTAGE CHART			
	<b>16</b>	<b>24</b>	
<b>LED1</b>	LUMENS DELIVERED	850	1700
	SYSTEM WATTAGE	10	20
<b>LED2</b>	LUMENS DELIVERED	1275	2550
	SYSTEM WATTAGE	15	30
<b>LED3</b>	LUMENS DELIVERED	2125	-
	SYSTEM WATTAGE	25	-

**SAMPLE CODE: BA1-SISA-16-GW-WTP-LED1/30K-UNV-DM1**

\*Contact factory for BIOS SkyBlue® or BIOS SkyBlue® Dynamic light engine and control options. Visit [ocl.com/BIOS](http://ocl.com/BIOS) for more information.

UP TO **85** LM/W

TTThis chart was created for a 35K color temp. Multiply by 0.95 for 27k color temp, 0.97 for 30k color temp, and 1.03 for 40k color temp  
Values shown for 80+ CRI. For 90+ CRI lumens use 0.85 multiplier.

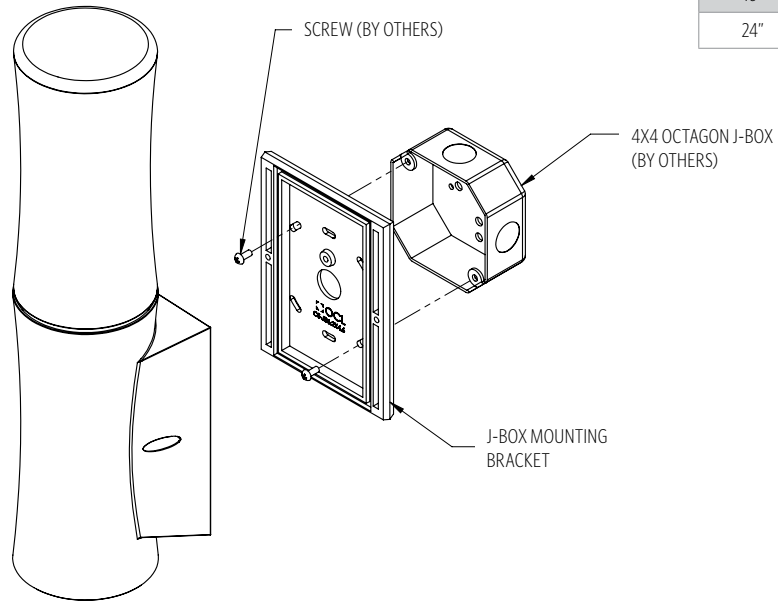
**MODS, NOTES, & COMMENTS**

HANGING SYSTEM

**SISA** INDOOR ADA COMPLIANT SCONCE

**MOUNTING INFORMATION CHART**

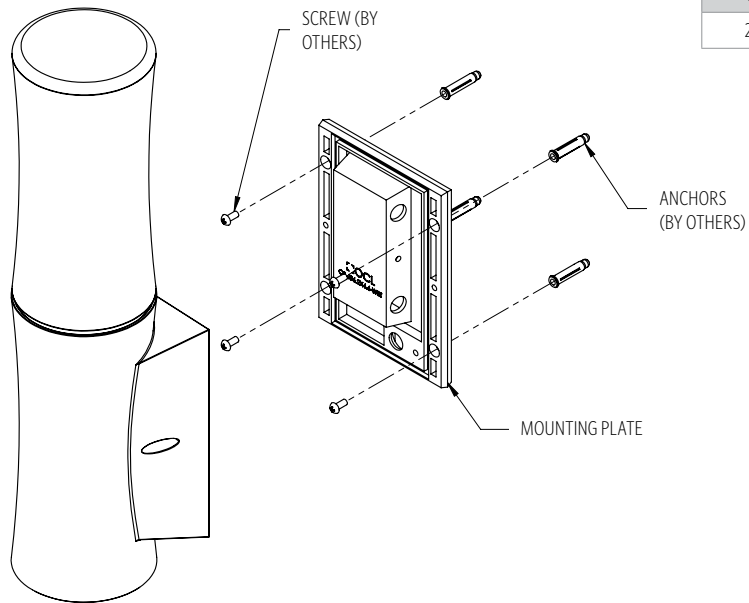
LUMINAIRE HEIGHT	LUMINAIRE WEIGHT	MOUNTING POINTS
16"	6LBS	1
24"	8LBS	1



**010A** OUTDOOR ADA COMPLIANT SCONCE

**MOUNTING INFORMATION CHART**

LUMINAIRE HEIGHT	LUMINAIRE WEIGHT	MOUNTING POINTS
16"	6LBS	1
24"	8LBS	1



**DIFFUSER**

**FINISH**



**MW** MATTE WHITE  
(SISA ONLY)



**GW** GLOSS WHITE

**METALLIC POWDER COAT FINISHES:**



**SMP**  
SILVER



**GRP**  
GRAPHITE



**SGP**  
STEEL GRAY



**GLP**  
GOLD  
TASTIC



**BMP**  
BRASS



**BNP**  
BRONZE

**SOLID POWDER COAT FINISHES:**



**SWP**  
SKY WHITE



**MWP**  
MATTE  
WHITE



**BKP**  
BLACK

**TEXTURED POWDER COAT FINISHES:**



**BTP**  
BLACK  
TEXTURED



**WTP**  
WHITE  
TEXTURED

**RAL®, Pantone®, or custom finishes are also available.**

These colors are for reference only. Please be aware that colors may vary per monitor. Contact your local rep for finish samples or with any questions.

**LIGHT SOURCE**

LUMENS AND WATTAGE CHART		16	24
		<b>LED1</b>	LUMENS DELIVERED
SYSTEM WATTAGE	10		20
<b>LED2</b>	LUMENS DELIVERED	1275	2550
	SYSTEM WATTAGE	15	30
<b>LED3</b>	LUMENS DELIVERED	2125	-
	SYSTEM WATTAGE	25	-

STANDARD COLOR TEMPERATURE OPTIONS	CRI (RA)	
	2700K	80+
3000K	80+	90+
3500K	80+	90+
4000K	80+	90+

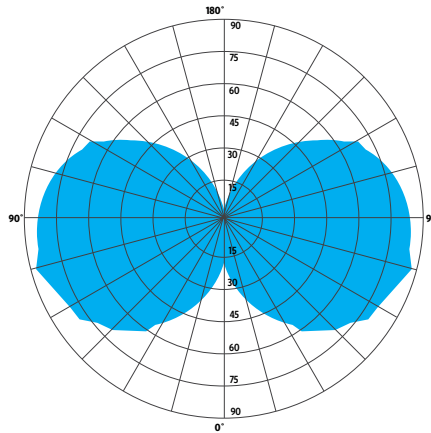
ZONE	LUMENS	% OF LUMINAIRE
0-30	80	4%
0-60	460	23%
0-90	1100	55%
90-180	900	45%
0-180	2000	100%

This chart was created for a 35K color temp. Multiply by 0.95 for 27k color temp, 0.97 for 30k color temp, and 1.03 for 40k color temp. Values shown for 80+ CRI. For 90+ CRI lumens use 0.85 multiplier.

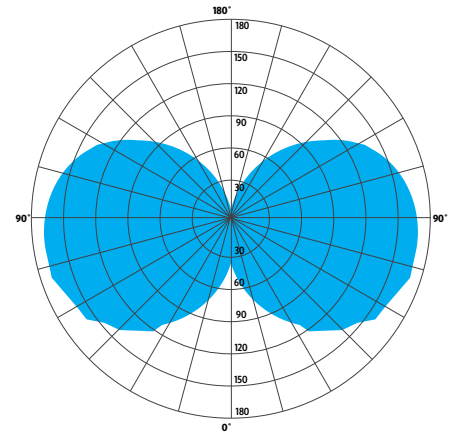
**PHOTOMETRY:**

FIXTURE: BA1-010A-XX-LED1  
 COLOR TEMP #: 3500K  
 OUTPUT: 2000  
 EFFICACY: 80 LM/W  
 TEST REPORT: TEST NO. 17813.0

For all available IES files, please visit our website at [ocl.com](http://ocl.com).



**BA1**  
UP OR DOWN ILLUMINATION



**BA2**  
UP AND DOWN ILLUMINATION

## CONTROL

### DM1 0-10V DIMMING DOWN TO 1%

- 0-10V DIMMING
- 1% MINIMUM DIMMING LEVEL
- ELECTRONIC DRIVER
- POWER FACTOR >0.9
- THD <20%
- MIN AMBIENT OPERATING TEMPERATURE = -31°F
- FIELD REPLACEABLE

## OPTIONS

### ULD DAMP LABEL LUMINAIRE

- MAY BE USED IN AN OUTDOOR AREA THAT IS PROTECTED FROM DIRECT CONTACT WITH WIND, RAIN, SNOW OR EXCESSIVE MOISTURE

### MOD MODIFIED LUMINAIRE

- LUMINAIRE IS MODIFIED FROM STANDARD OPTIONS; CONTACT LOCAL REP FOR MORE INFORMATION

### BIOS

- **BIOS SKYBLUE™ DYNAMIC** LIGHT ENGINE IS DIMMABLE AND FEATURES A SIMPLE APPROACH TO CIRCADIAN LIGHTING CONTROLS.
- WHEN PAIRED WITH THE BIOS BIO-DIMMING MODULE, IT OPERATES USING ANY SINGLE CHANNEL CONSTANT CURRENT (CC) LED DRIVER AND CAN BE USED WITH ANY STANDARD DIMMING INTERFACE/PROTOCOL (0-10V, ELV, DMX, WIRELESS) AND COULD WORK WITH EXISTING TWO-CHANNEL CONTROL SYSTEMS AS WELL.
- VISIT [OCL.COM/BIOS](http://OCL.COM/BIOS) FOR MORE INFORMATION

## SPECIFICATIONS

### CONSTRUCTION

- FIXTURE IS DIE-CAST ALUMINUM
- DIFFUSER IS INJECTION-MOLDED ACRYLIC
- HARDWARE IS ZINC PLATED OR STAINLESS STEEL

### MOUNTING

- **SISA & O10A** MOUNT TO 4X4" OCTAGON OR 4" ROUND J-BOX (BY OTHER)

### ELECTRICAL

- DIMMING ELECTRONIC DRIVER(S), COMES STANDARD WITH 0-10V DOWN TO 1%
- LUTRON (LDE1) ECOSYSTEM 1% ALSO AVAILABLE
- BRIDGELUX COB
- LUMINAIRE CONNECTS TO BUILDING SUPPLY (120V-277V 50/60HZ) UNLESS DRIVERS ARE REMOTE

### LISTING

- **SISA** ETL LISTED TO UL 1598 FOR DRY LOCATIONS; **ULD** DAMP LOCATION LISTED IS OPTION; **O10A** ETL LISTED TO UL 1598 FOR WET LOCATION

### WARRANTY

- 5 YEAR; ALL ELECTRICAL COMPONENTS RETAIN THE MANUFACTURER'S WARRANTY

### SUSTAINABILITY

- THIS PRODUCT MEETS THE MATERIAL RESTRICTIONS OF ARTICLE 4 OF THE ROHS DIRECTIVE (2011/65/EU), INCLUDING COMMISSION DELEGATED DIRECTIVE 2015/863
- **BIOS** LIGHTING CONTRIBUTES TOWARD THE CIRCADIAN LIGHTING DESIGN FEATURE 54 UNDER THE **WELL BUILDING STANDARD™ V1** AND FEATURE L03 UNDER THE **WELL BUILDING STANDARD V2**

## COMMON MODIFICATIONS

### WE'RE BUILT FOR OUT-OF-THE-BOX THINKERS.

Nearly 50% of OCL fixtures we manufacture have some type of modification. Here is a list of common modifications we frequently produce. **Please contact the factory for modifications specific to your fixture or project.**

Need some help? Simply send your questions to us at [OCL-Quotes@ocl.com](mailto:OCL-Quotes@ocl.com)

- BIOS, TUNABLE WHITE, WARM-DIM, & RGBW LIGHT SOURCES
- SPECIFIC LUMEN OUTPUT
- MODIFIED CLUSTERS OR CONFIGURATIONS / MULTI-DROP CANOPIES
- VARIOUS SHAPES, ARCS, AND CURVES FOR LINEAR PROFILES AND RINGS
- CEILING OR SURFACE MOUNTING
- LARGE SCALE MODIFICATIONS
- RAL, PANTONE, BRAND-SPECIFIC, RETIRED OCL COLOR, OR CUSTOM FINISHES



- EMERGENCY BATTERY BACKUP OR INVERTER OPTIONS
- REMOTE DRIVERS / EXTENDED DISTANCE REMOTE DRIVERS
- DIMMING TO 0.1% (DIM TO DARK)
- NON-STANDARD SIZES OR LENGTHS
- NON-STANDARD CANOPY, BODY AND/OR CORD COLORS
- SEISMIC AND/OR ANTI-SWAY SYSTEMS
- RIGID STEMS
- MODIFIED OVERALL HEIGHTS (LONGER OR SHORTER OAH)
- UPLIGHT ADDITIONS
- LASER ETCHING, ENGRAVING, AND CUTOUTS

The drawings and specifications and ideas, designs and arrangements represented on these drawings are and shall remain the property of The Original Cast Lighting (OCL Architectural Lighting) and no part thereof shall be copied, disclosed, to others or used in conjunction with any work or project other than the specified project for which they have been prepared and developed, without written consent of OCL. Visual contact with these plans or specifications shall constitute conclusive evidence of acceptance of these restrictions. All specifications and information subject to change without notice.