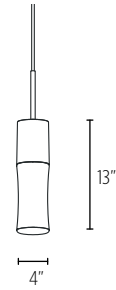




Bamboo™

PENDANT

- EXCELLENT THERMAL MANAGEMENT IS ACHIEVED THROUGH A DIE-CAST ALUMINUM FIXTURE BODY
- QUALITY CONSTRUCTION INCLUDES DIE-CAST ALUMINUM AND INJECTION-MOLDED ACRYLIC
- INJECTION MOLDED DIFFUSER SEAMLESSLY THREADS INTO FIXTURE BODY
- FIELD REPLACEMENT FOR LED ARRAY AND DRIVER
- 3 STEP LED BINNING



CATALOG CODES

BA1	B	04	D	E	F	UNV	H	I	J
SERIES	HANGING SYSTEM	SIZE	DIFFUSER	FINISH	LIGHT SOURCE	VOLTAGE	OAH	CONTROL	OPTIONS

SPECIFY CATALOG CODE

A	B	C	D	E
SERIES	HANGING SYSTEM	SIZE	DIFFUSER	FINISH
 BA1 BAMBOO	P1CB PENDANT WITH SURFACE MOUNT CANOPY, SINGLE WHITE POWER CORD; MOUNTS TO 4X4 OCTAGON J-BOX (BY OTHERS)	04	MW MATTE WHITE GW GLOSS WHITE	POWDER COAT FINISHES BKP BLACK BMP BRASS METALLIC BNP BRONZE BTP BLACK TEXTURED GRP GRAPHITE GLP GOLDTASTIC MWP MATTE WHITE SGP STEEL GRAY SMP SILVER METALLIC SWP SKY WHITE WTP WHITE TEXTURED
	P1FC PENDANT WITH FLAT CANOPY, SINGLE WHITE POWER CORD; MOUNTS TO OCL RECESSED J-BOX (PROVIDED BY OCL)			
	P1BD PENDANT WITH EMERGENCY DRIVER IN SURFACE MOUNT CANOPY, SINGLE CENTER AIRCRAFT CABLE AND WHITE POWER CORD			

F			G	H	I	J
LIGHT SOURCE			VOLTAGE	OAH	CONTROL	OPTIONS
LED OUTPUT LED1 LED2 LED3	COLOR TEMP (80+ CRI) 27K 30K 35K 40K	COLOR TEMP (90+ CRI) 927K 930K 935K 940K	UNV 120-277	48 100 144	DM1 0-10V DIMMING 1% DM3 LUTRON HI-LUME ECOSYSTEM 1% (LDE1)	ULD DAMP LABEL BIOS BIOS SKYBLUE™ OR BIOS SKYBLUE™ DYNAMIC LIGHT ENGINE** MOD MODIFIED LUMINAIRE (CONTACT LOCAL REP)

SAMPLE CODE: BA1-P1CF-04-GW-BTP-LED1/35K-UNV-48-DM1-ULD

*For Minimum OAH, see hanging systems details. Fixture will ship with one of three standard OAH's (48", 100" or 144") field adjustable to the desired height.

Contact factory for **BIOS SkyBlue® or **BIOS SkyBlue® Dynamic** light engine and control options.

UP TO **85** LM/W

LUMENS AND WATTAGE CHART		04
LED1	LUMENS DELIVERED	850
	SYSTEM WATTAGE	10
LED2	LUMENS DELIVERED	1275
	SYSTEM WATTAGE	15
LED3	LUMENS DELIVERED	2125
	SYSTEM WATTAGE	25

This chart was created for a 35K color temp. Multiply by 0.95 for 27k color temp, 0.97 for 30k color temp, and 1.03 for 40k color temp

Values shown for 80+ CRI. For 90+ CRI lumens use 0.85 multiplier.

MODS, NOTES, & COMMENTS

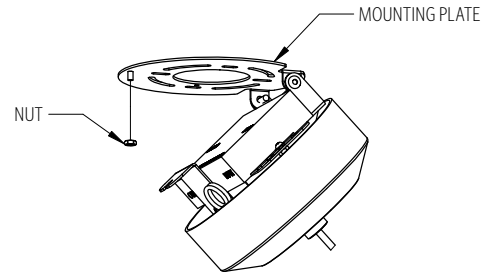
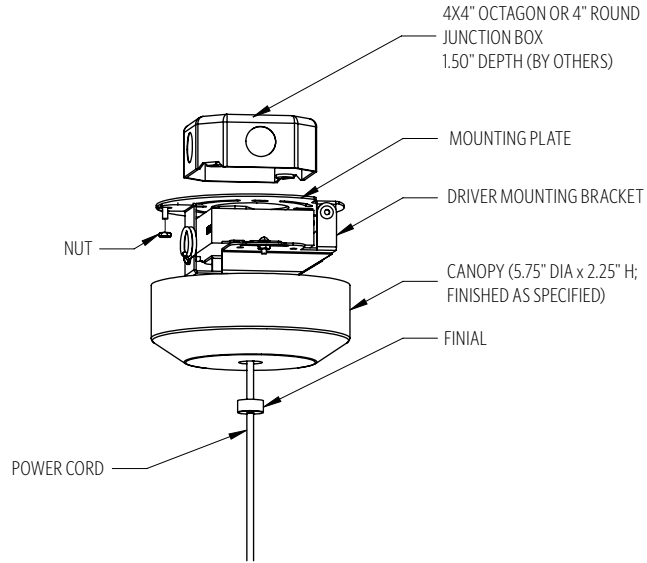
HANGING SYSTEM

PICB PENDANT WITH SURFACE MOUNT CANOPY, SINGLE **WHITE** POWER CORD;
MOUNTS TO 4X4 OCTAGON J-BOX (BY OTHERS)

MOUNTING INFORMATION CHART

LUMINAIRE DIAMETER	LUMINAIRE WEIGHT	MIN/MAX OAH
4"	6 LBS	18/144"

Fixture will ship with one of three standard OAH's (48", 100" or 144") field adjustable to the desired height.

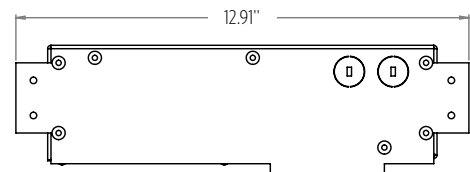
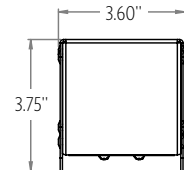
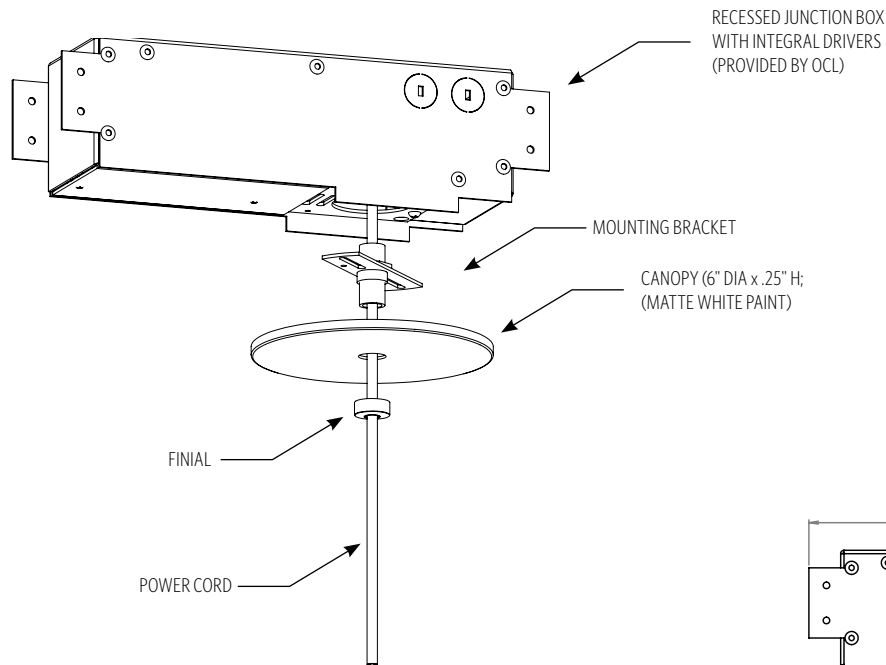


P1FC PENDANT WITH FLAT CANOPY, SINGLE **WHITE** POWER CORD;
MOUNTS TO OCL RECESSED J-BOX (PROVIDED BY OCL)

MOUNTING INFORMATION CHART

LUMINAIRE DIAMETER	LUMINAIRE WEIGHT	MIN/MAX OAH
4"	6 LBS	18/144"

Fixture will ship with one of three standard OAH's (48", 100" or 144") field adjustable to the desired height.



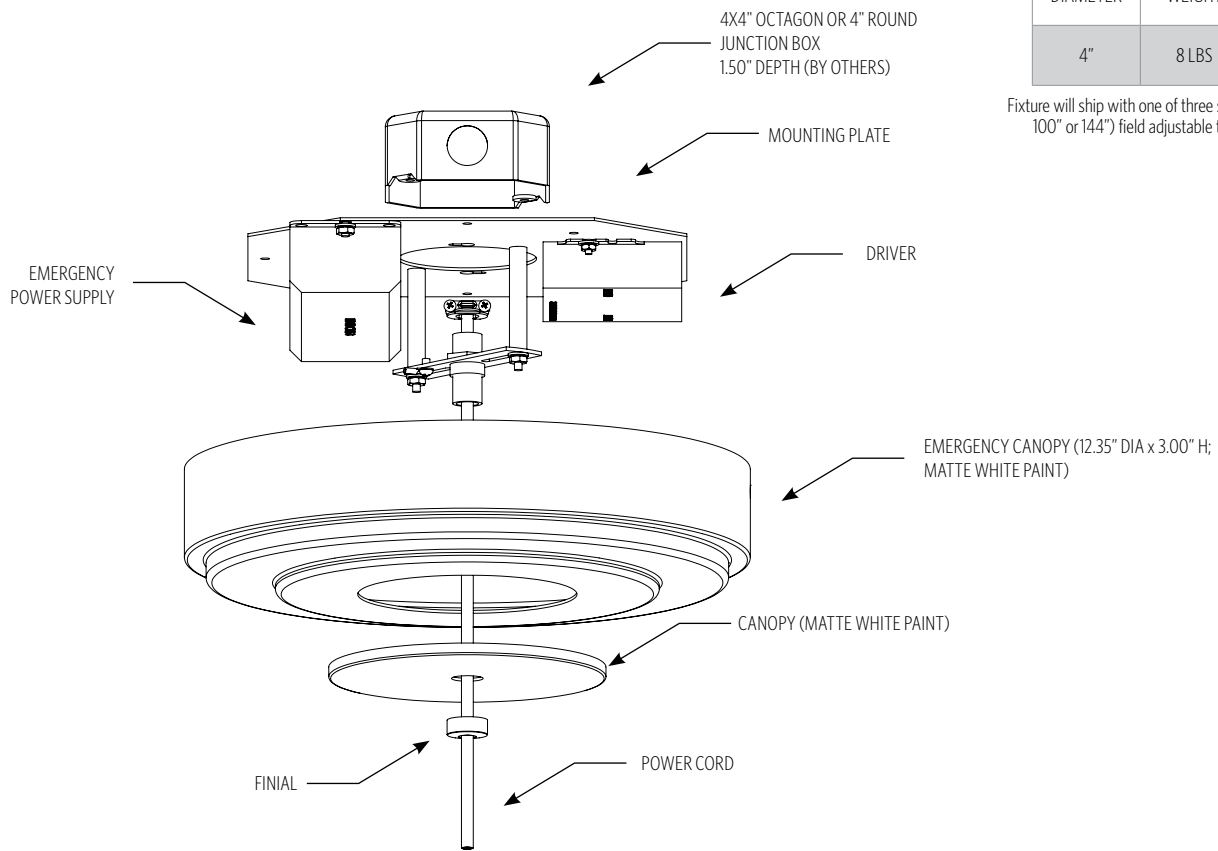
PROFILE VIEW
RECESSED JUNCTION BOX

PIBD PENDANT WITH EMERGENCY DRIVER IN SURFACE MOUNT CANOPY,
SINGLE CENTER AIRCRAFT CABLE AND **WHITE** POWER CORD

MOUNTING INFORMATION CHART

LUMINAIRE DIAMETER	LUMINAIRE WEIGHT	MIN/MAX OAH
4"	8 LBS	18/144"

Fixture will ship with one of three standard OAH's (48", 100" or 144") field adjustable to the desired height.



DIFFUSER

FINISH



MW MATTE WHITE



GW GLOSS WHITE

METALLIC POWDER COAT FINISHES:



SOLID POWDER COAT FINISHES:



TEXTURED POWDER COAT FINISHES:



RAL®, Pantone®, or custom finishes are also available.

These colors are for reference only. Please be aware that colors may vary per monitor. Contact your local rep for finish samples or with any questions.

LIGHT SOURCE

LUMENS AND WATTAGE CHART		04"
LED1	LUMENS DELIVERED	850
	SYSTEM WATTAGE	10
LED2	LUMENS DELIVERED	1275
	SYSTEM WATTAGE	15
LED3	LUMENS DELIVERED	2125
	SYSTEM WATTAGE	25

This chart was created for a 35K color temp. Multiply by 0.95 for 27k color temp, 0.97 for 30k color temp, and 1.03 for 40k color temp

Values shown for 80+ CRI. For 90+ CRI lumens use 0.85 multiplier.

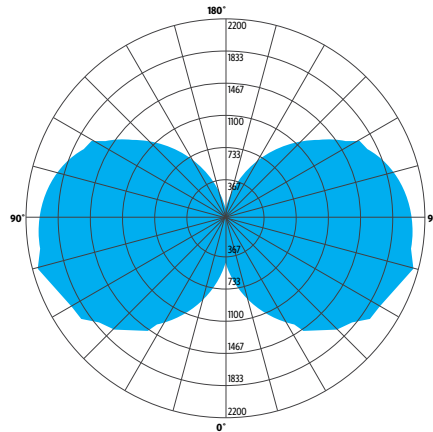
STANDARD COLOR TEMPERATURE OPTIONS	CRI (RA)	
2700K	80+	90+
3000K	80+	90+
3500K	80+	90+
4000K	80+	90+
TWHI	90+	
RGBW	N/A	

ZONE	LUMENS	% OF LUMINAIRE
0-30	80	4%
0-60	460	23%
0-90	1100	55%
90-180	900	45%
0-180	2000	100%

PHOTOMETRY:

FIXTURE:	BA1-PIXX-04-GW-BTP
COLOR TEMP #:	3500K
OUTPUT:	2000
EFFICACY:	80 LM/W
TEST REPORT:	TEST NO. 18332.0

For all available IES files, please visit our website at ocl.com.



CONTROL

DM1 0-10V DIMMING 1%

- 0-10V DIMMING
- 1% MINIMUM DIM LEVEL
- ELECTRONIC DRIVER
- POWER FACTOR >0.9
- THD <20%
- MINIMUM AMBIENT OPERATING TEMPERATURE -31°F
- FIELD REPLACEABLE

DM3 LUTRON HI-LUME ECOSYSTEM 1% (LDE1)

- LUTRON DIGITAL ECOSYSTEM DIMMING
- 1% MINIMUM DIMMING LEVEL
- SOFT-ON / FADE-TO-BLACK
- ELECTRONIC DRIVER
- POWER FACTOR >0.9 @ 120V
- THD <23% @ 120V
- MIN AMBIENT OPERATING TEMPERATURE = -32°F
- FIELD REPLACEABLE

OPTIONS

ULD DAMP LABEL LUMINAIRE

- MAY BE USED IN AN OUTDOOR AREA THAT IS PROTECTED FROM DIRECT CONTACT WITH WIND, RAIN, SNOW OR EXCESSIVE MOISTURE

MOD MODIFIED LUMINAIRE

- LUMINAIRE IS MODIFIED FROM STANDARD OPTIONS; CONTACT LOCAL REP FOR MORE INFORMATION

BIOS

- BIOS SKYBLUE™ DYNAMIC** LIGHT ENGINE IS DIMMABLE AND FEATURES A SIMPLE APPROACH TO CIRCADIAN LIGHTING CONTROLS.
- WHEN PAIRED WITH THE BIOS BIO-DIMMING MODULE, IT OPERATES USING ANY SINGLE CHANNEL CONSTANT CURRENT (CC) LED DRIVER AND CAN BE USED WITH ANY STANDARD DIMMING INTERFACE/PROTOCOL (0-10V, ELV, DMX, WIRELESS) AND COULD WORK WITH EXISTING TWO-CHANNEL CONTROL SYSTEMS AS WELL.
- VISIT OCL.COM/BIOS FOR MORE INFORMATION

SPECIFICATIONS

CONSTRUCTION

- FIXTURE IS DIE-CAST ALUMINUM
- DIFFUSER IS INJECTION-MOLDED ACRYLIC
- CANOPY IS SPUN ALUMINUM
- HARDWARE IS ZINC PLATED OR STAINLESS STEEL

MOUNTING

- PICB & PIBD MOUNT TO 4X4" OCTAGON OR 4" ROUND J-BOX (BY OTHER)
- PIFC MOUNTS TO OCL PROPRIETARY RECESSED J-BOX WITH INTEGRAL DRIVER (PROVIDED BY OCL)

ELECTRICAL

- DIMMING ELECTRONIC DRIVER(S), COMES STANDARD WITH 0-10V DOWN TO 1%
- LUTRON (LDE1) ECOSYSTEM 1% ALSO AVAILABLE
- BRIDGELUX COB
- LUMINAIRE CONNECTS TO BUILDING SUPPLY (120V-277V 50/60HZ) UNLESS DRIVERS ARE REMOTE

EMERGENCY DRIVER

- EMERGENCY DRIVER RUNS AT 5W FOR 90 MINUTES WHEN ACTIVE
- 24 HOUR RECHARGE PERIOD
- 7-10 YEAR BATTERY LIFE
- 5 YEAR WARRANTY

LISTING

- ETL LISTED TO UL 1598 FOR DRY LOCATIONS; DAMP LOCATION LISTED IS OPTION

WARRANTY

- 5 YEAR; ALL ELECTRICAL COMPONENTS RETAIN THE MANUFACTURER'S WARRANTY

SUSTAINABILITY

- THIS PRODUCT MEETS THE MATERIAL RESTRICTIONS OF ARTICLE 4 OF THE ROHS DIRECTIVE (2011/65/EU), INCLUDING COMMISSION DELEGATED DIRECTIVE 2015/863
- **BIOS** LIGHTING CONTRIBUTES TOWARD THE CIRCADIAN LIGHTING DESIGN FEATURE 54 UNDER THE **WELL BUILDING STANDARD™ V1** AND FEATURE L03 UNDER THE **WELL BUILDING STANDARD V2**

COMMON MODIFICATIONS

WE'RE BUILT FOR OUT-OF-THE-BOX THINKERS.

Nearly 50% of OCL fixtures we manufacture have some type of modification. Here is a list of common modifications we frequently produce. **Please contact the factory for modifications specific to your fixture or project.**

Need some help? Simply send your questions to us at OCL-Quotes@ocl.com

- BIOS, TUNABLE WHITE, WARM-DIM, & RGBW LIGHT SOURCES
- SPECIFIC LUMEN OUTPUT
- MODIFIED CLUSTERS OR CONFIGURATIONS / MULTI-DROP CANOPIES
- VARIOUS SHAPES, ARCS, AND CURVES FOR LINEAR PROFILES AND RINGS
- CEILING OR SURFACE MOUNTING
- LARGE SCALE MODIFICATIONS
- RAL, PANTONE, BRAND-SPECIFIC, RETIRED OCL COLOR, OR CUSTOM FINISHES



- EMERGENCY BATTERY BACKUP OR INVERTER OPTIONS
- REMOTE DRIVERS / EXTENDED DISTANCE REMOTE DRIVERS
- DIMMING TO 0.1% (DIM TO DARK)
- NON-STANDARD SIZES OR LENGTHS
- NON-STANDARD CANOPY, BODY AND/OR CORD COLORS
- SEISMIC AND/OR ANTI-SWAY SYSTEMS
- RIGID STEMS
- MODIFIED OVERALL HEIGHTS (LONGER OR SHORTER OAH)
- UPLIGHT ADDITIONS
- LASER ETCHING, ENGRAVING, AND CUTOUTS

The drawings and specifications and ideas, designs and arrangements represented on these drawings are and shall remain the property of The Original Cast Lighting (OCL Architectural Lighting) and no part thereof shall be copied, disclosed, to others or used in conjunction with any work or project other than the specified project for which they have been prepared and developed, without written consent of OCL. Visual contact with these plans or specifications shall constitute conclusive evidence of acceptance of these restrictions. All specifications and information subject to change without notice.