

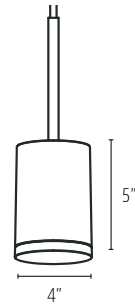


# Astra™

PENDANT


**FEATURES**

- SMALL SCALE ARCHITECTURAL CYLINDER WITH ROBUST PERFORMANCE
- DIE-CAST BOTTOM BEZEL WITH AIRFLOW SLOTS
- EXCELLENT THERMAL MANAGEMENT IS ACHIEVED THROUGH A DIE-CAST ALUMINUM FIXTURE BODY
- VARYING BEAM SPREAD OPTIONS ARE AVAILABLE: NARROW FLOOD [24 DEGREE] OR WIDE FLOOD [50 DEGREE]
- 3 STEP LED BINNING



**CATALOG CODES**

<b>AS1</b>	-	<b>B</b>	-	<b>04</b>	-	<b>E</b>	-	<b>f</b>	-	<b>UNV</b>	-	<b>H</b>	-	<b>I</b>	-	<b>J</b>		
SERIES		HANGING SYSTEM		SIZE		REFLECTOR		FINISH		LIGHT SOURCE		VOLTAGE		OAH		CONTROL		OPTIONS

SPECIFY CATALOG CODE		A	B	C	D	E		
		SERIES	HANGING SYSTEM	SIZE	REFLECTOR	STANDARD FINISHES	PREMIUM FINISHES	
 <p><b>AS1</b> ASTRA</p>		<b>P1CB</b>	PENDANT WITH SURFACE MOUNT CANOPY, SINGLE <b>WHITE</b> POWER CORD; MOUNTS TO 4X4 OCTAGON J-BOX (BY OTHERS)	<b>04</b>	<b>NF</b>	NARROW FLOOD [24 DEGREE]	<b>POWDER COAT FINISHES</b> <b>BKP</b> BLACK <b>BMP</b> BRASS METALLIC <b>BNP</b> BRONZE <b>BTP</b> BLACK TEXTURED <b>GRP</b> GRAPHITE <b>GLP</b> GOLDTASTIC <b>MWP</b> MATTE WHITE <b>SGP</b> STEEL GRAY <b>SMP</b> SILVER METALLIC <b>SWP</b> SKY WHITE <b>WTP</b> WHITE TEXTURED	<b>EVERWOODS POWDER COAT FINISHES (BODY ONLY)</b> <b>WPDP</b> WHITE PINE <b>PNDP</b> PINE <b>CRDP</b> CHERRY <b>TKDP</b> TEAK <b>WLDP</b> WALNUT <b>DLDP</b> DARK WALNUT <b>LWDP</b> LIGHT BARNWOOD <b>DWDP</b> DARK BARNWOOD
		<b>P1FC</b>	PENDANT WITH FLAT CANOPY, SINGLE <b>WHITE</b> POWER CORD; MOUNTS TO OCL RECESSED J-BOX (PROVIDED BY OCL)		<b>WF</b>	WIDE FLOOD [50 DEGREE]		
		<b>P1BD</b>	PENDANT WITH EMERGENCY DRIVER IN SURFACE MOUNT CANOPY, SINGLE CENTER AIRCRAFT CABLE AND <b>WHITE</b> POWER CORD					

F			G	I	J	
LIGHT SOURCE			VOLTAGE	OAH*	CONTROL	OPTIONS
<b>LED OUTPUT</b>	<b>COLOR TEMP</b> (80+ CRI)	<b>COLOR TEMP</b> (90+ CRI)	<b>UNV</b> 120-277	<b>48</b> <b>100</b> <b>144</b>	<b>DM1</b> 0-10V DIMMING 1% <b>DM3</b> LUTRON HI-LUME ECOSYSTEM 1% (LDEI)	<b>ULD</b> DAMP LABEL <b>MOD</b> MODIFIED LUMINAIRE (CONTACT LOCAL REP)
<b>LED1</b>	<b>27K</b>	<b>927K</b>				
<b>LED2</b>	<b>30K</b>	<b>930K</b>				
<b>LED3</b>	<b>35K</b>	<b>935K</b>				
	<b>40K</b>	<b>940K</b>				

**SAMPLE CODE: AS1-P1CB-04-NF-WTP-LED1/35K-UNV-48-DM1**

\*For Minimum OAH, see hanging systems details. Fixture will ship with one of three standard OAH's (48", 100" or 144") field adjustable to the desired height.

Fixtures with **P1FC** or **P1BD** hanging system or any **Everwoods finish**, canopy will be **MWP** unless specified; Fixtures with **P1CB**, hanging system, canopy will match finish choice.

UP TO **95** LM/W

LUMENS AND WATTAGE CHART		4"	
		NF	WF
<b>LED1</b>	LUMENS DELIVERED	855	950
	SYSTEM WATTAGE	10	10
<b>LED2</b>	LUMENS DELIVERED	1285	1425
	SYSTEM WATTAGE	15	15
<b>LED3</b>	LUMENS DELIVERED	2140	2375
	SYSTEM WATTAGE	25	25

This chart was created for a 35K color temp. Multiply by 0.95 for 27k color temp, 0.97 for 30k color temp, and 1.03 for 40k color temp. Values shown for 80+ CRI. For 90+ CRI lumens use 0.85 multiplier.

**MODS, NOTES, & COMMENTS**

HANGING SYSTEM

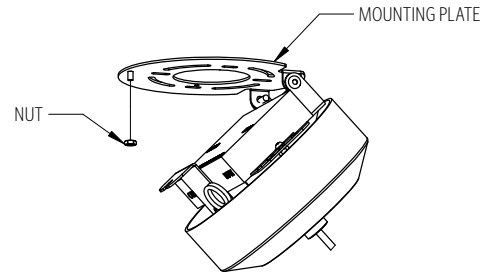
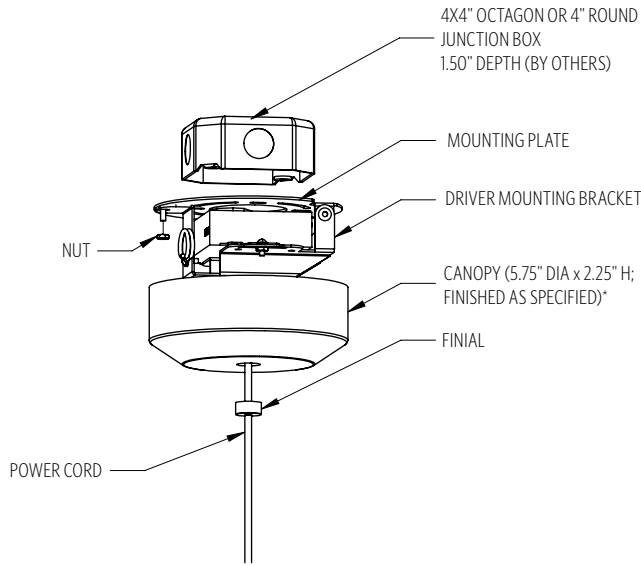
**PICB** PENDANT WITH SURFACE MOUNT CANOPY, SINGLE **WHITE** POWER CORD; MOUNTS TO 4X4 OCTAGON J-BOX (BY OTHERS)

**MOUNTING INFORMATION CHART**

LUMINAIRE SIZE	LUMINAIRE WEIGHT	MIN/MAX OAH
4"	6 LBS	12/144"

Fixture will ship with one of three standard OAH's (48", 100" or 144") field adjustable to the desired height.

\*Fixtures with **PICB**, hanging system, canopy will match finish choice; Fixtures with any **Everwoods finish**, canopy will be **MWP** unless specified.



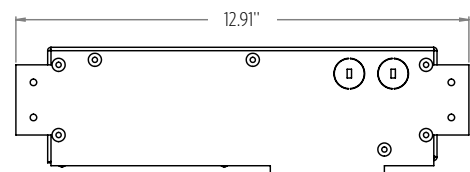
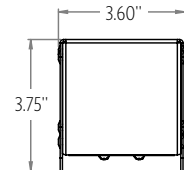
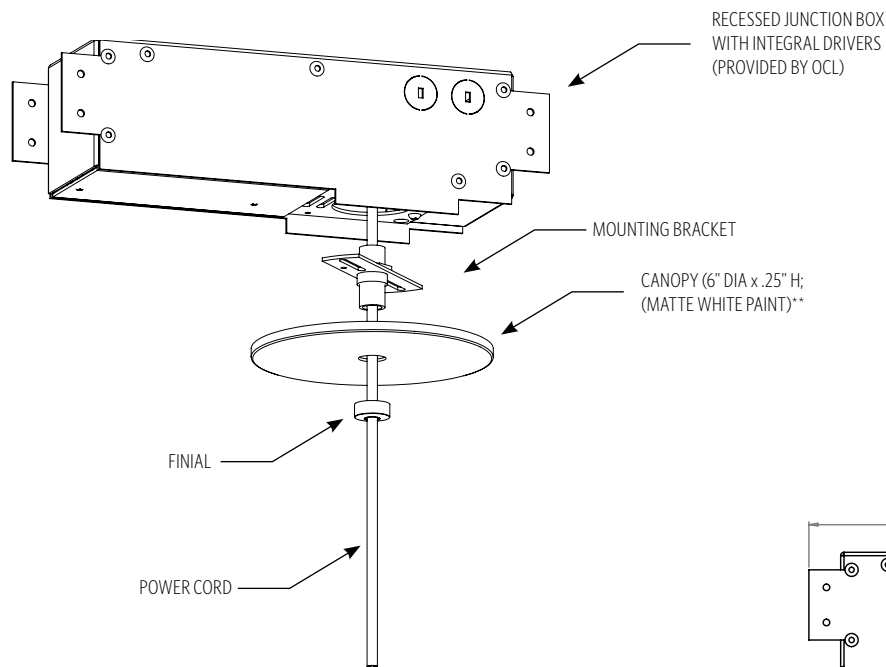
**PIFC** PENDANT WITH FLAT CANOPY, SINGLE **WHITE** POWER CORD; MOUNTS TO OCL RECESSED J-BOX (PROVIDED BY OCL)

**MOUNTING INFORMATION CHART**

LUMINAIRE SIZE	LUMINAIRE WEIGHT	MIN/MAX OAH
8"	6 LBS	12/144"

Fixture will ship with one of three standard OAH's (48", 100" or 144") field adjustable to the desired height.

\*\*Fixtures with **PIFC** or any **Everwoods finish**, canopy will be **MWP** unless specified



**PROFILE VIEW**  
RECESSED JUNCTION BOX

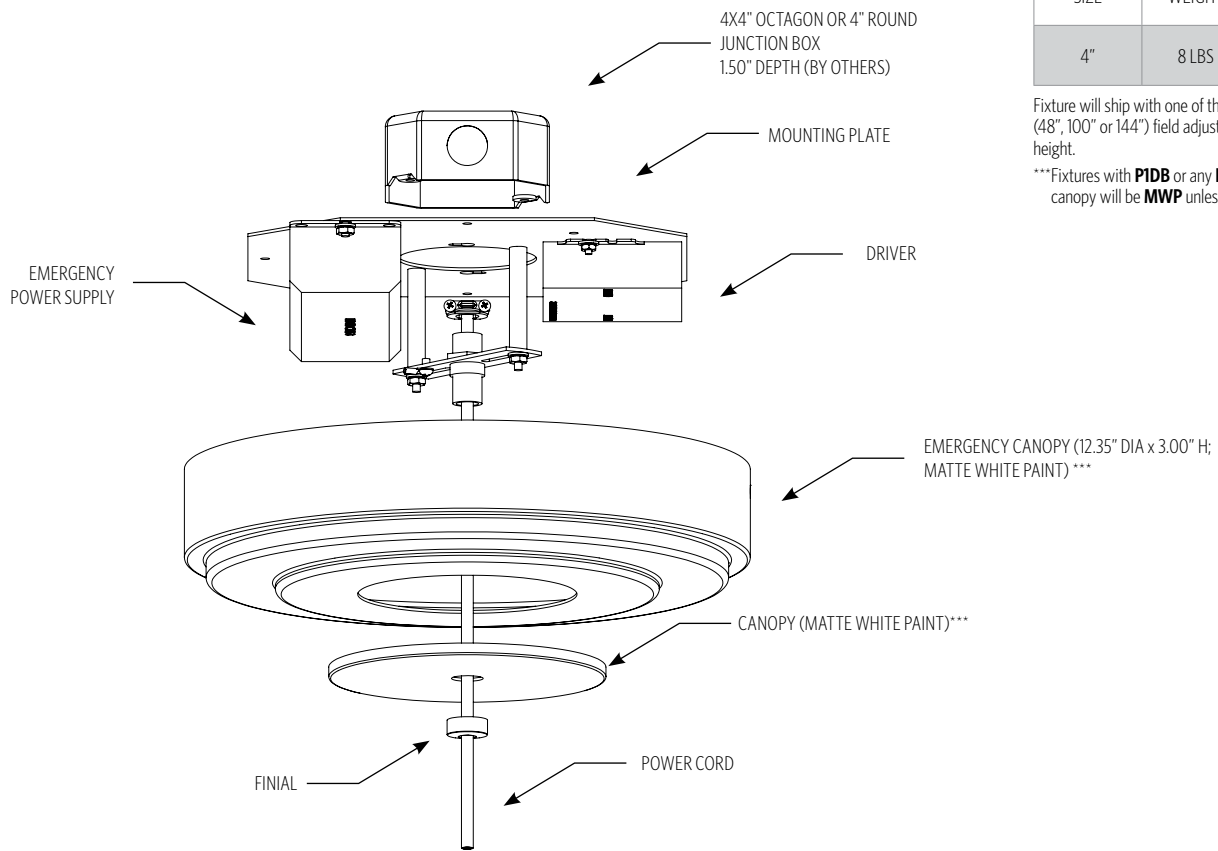
**PIBD** PENDANT WITH EMERGENCY DRIVER IN SURFACE MOUNT CANOPY, SINGLE CENTER AIRCRAFT CABLE AND **WHITE** POWER CORD

**MOUNTING INFORMATION CHART**

LUMINAIRE SIZE	LUMINAIRE WEIGHT	MIN/MAX OAH
4"	8 LBS	12/144"

Fixture will ship with one of three standard OAH's (48", 100" or 144") field adjustable to the desired height.

\*\*\*Fixtures with **PIBD** or any **Everwoods finish**, canopy will be **MWP** unless specified



**FINISH**

**METALLIC POWDER COAT FINISHES:**



**SOLID POWDER COAT FINISHES:**



**TEXTURED POWDER COAT FINISHES:**



**EVERWOODS POWDER COAT COLLECTION:**



**RAL, Pantone, or custom finishes are also available.**

These colors are for reference only. Please be aware that colors may vary per monitor. Contact your local rep for finish samples or with any questions.

## LIGHT SOURCE

LUMENS AND WATTAGE CHART		4"	
		NF	WF
LED1	LUMENS DELIVERED	855	950
	SYSTEM WATTAGE	10	10
LED2	LUMENS DELIVERED	1285	1425
	SYSTEM WATTAGE	15	15
LED3	LUMENS DELIVERED	2140	2375
	SYSTEM WATTAGE	25	25

This chart was created for a 35K color temp. Multiply by 0.95 for 27k color temp, 0.97 for 30k color temp, and 1.03 for 40k color temp. Values shown for 80+ CRI. For 90+ CRI lumens use 0.85 multiplier.

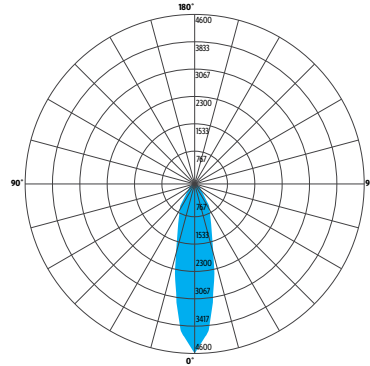
STANDARD COLOR TEMPERATURE OPTIONS	CRI	
	2700K	80+
3000K	80+	90+
3500K	80+	90+
4000K	80+	90+

For 80+ CRI - 80 RA, R9 > 0 (10-15 TYP.); For 90+ CRI - 90 RA, R9 > 50

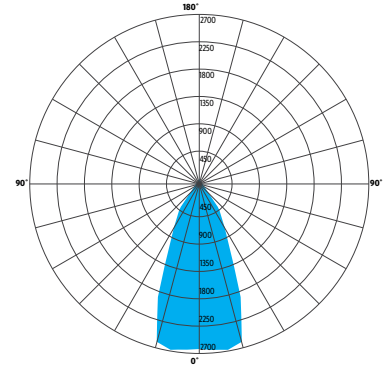
ZONE	NARROW FLOOD		WIDE FLOOD	
	LUMENS	% OF LUMINAIRE	LUMENS	% OF LUMINAIRE
0-30	1367	73%	1516	74%
0-60	1874	100%	1921	94%
0-90	1874	100%	2040	100%

### PHOTOMETRY:

FIXTURE: ASI-PICD-04-WTP  
 COLOR TEMP #: 3500K  
 OUTPUT: 2375  
 EFFICACY: 95 LM/W  
 TEST REPORT: TEST NO. 17809.0



**NARROW FLOOD**



**WIDE FLOOD**

For all available IES files, please visit our website at ocl.com.

## CONTROL

### DM1 0-10V DIMMING DOWN TO 1%

- 0-10V DIMMING
- 1% MINIMUM DIMMING LEVEL
- ELECTRONIC DRIVER
- POWER FACTOR >0.9
- THD <20%
- MIN AMBIENT OPERATING TEMPERATURE = -31°F
- FIELD REPLACEABLE

### DM3 LUTRON HI-LUME ECOSYSTEM 1% (LDE1)

- LUTRON DIGITAL ECOSYSTEM DIMMING
- 1% MINIMUM DIMMING LEVEL
- SOFT-ON / FADE-TO-BLACK
- ELECTRONIC DRIVER
- POWER FACTOR >0.9 @ 120V
- THD <23% @ 120V
- MIN AMBIENT OPERATING TEMPERATURE = 32°F
- FIELD REPLACEABLE

## OPTIONS

### ULD DAMP LABEL LUMINAIRE

- MAY BE USED IN AN OUTDOOR AREA THAT IS PROTECTED FROM DIRECT CONTACT WITH WIND, RAIN, SNOW OR EXCESSIVE MOISTURE

### MOD MODIFIED LUMINAIRE

- LUMINAIRE IS MODIFIED FROM STANDARD OPTIONS; CONTACT LOCAL REP FOR MORE INFORMATION

## SPECIFICATIONS

### CONSTRUCTION

- FIXTURE IS DIE-CAST ALUMINUM
- HANGING SYSTEMS USE STEEL OR ALUMINUM CANOPIES
- HARDWARE IS ZINC PLATED OR STAINLESS STEEL

### MOUNTING

- PICB & PIBD MOUNT TO 4X4" OCTAGON OR 4" ROUND J-BOX (BY OTHER)
- PIFC MOUNTS TO OCL PROPRIETARY RECESSED J-BOX WITH INTEGRAL DRIVER (PROVIDED BY OCL)

### ELECTRICAL

- DIMMING ELECTRONIC DRIVER(S), COMES STANDARD WITH 0-10V DOWN TO 1%
- LUTRON (LDE1) ECOSYSTEM 1% ALSO AVAILABLE
- BRIDGELUX COB
- LUMINAIRE CONNECTS TO BUILDING SUPPLY (120V-277V 50/60HZ) UNLESS DRIVERS ARE REMOTE

### EMERGENCY DRIVER

- EMERGENCY DRIVER RUNS AT 5W FOR 90 MINUTES WHEN ACTIVE
- 24 HOUR RECHARGE PERIOD
- 7-10 YEAR BATTERY LIFE
- 5 YEAR WARRANTY

### LISTING

- ETL LISTED TO UL 1598 FOR DRY LOCATIONS; DAMP LOCATION LISTED IS OPTION

### WARRANTY

- 5 YEAR; ALL ELECTRICAL COMPONENTS RETAIN THE MANUFACTURER'S WARRANTY

### SUSTAINABILITY

- THIS PRODUCT MEETS THE MATERIAL RESTRICTIONS OF ARTICLE 4 OF THE **ROHS** DIRECTIVE (2011/65/EU), INCLUDING COMMISSION DELEGATED DIRECTIVE 2015/863

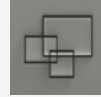
## COMMON MODIFICATIONS

### WE'RE BUILT FOR OUT-OF-THE-BOX THINKERS.

Nearly 50% of OCL fixtures we manufacture have some type of modification. Here is a list of common modifications we frequently produce. **Please contact the factory for modifications specific to your fixture or project.**

Need some help? Simply send your questions to us at [OCL-Quotes@ocl.com](mailto:OCL-Quotes@ocl.com)

- BIOS, TUNABLE WHITE, WARM-DIM, & RGBW LIGHT SOURCES
- SPECIFIC LUMEN OUTPUT
- MODIFIED CLUSTERS OR CONFIGURATIONS / MULTI-DROP CANOPIES
- VARIOUS SHAPES, ARCS, AND CURVES FOR LINEAR PROFILES AND RINGS
- CEILING OR SURFACE MOUNTING
- LARGE SCALE MODIFICATIONS
- RAL, PANTONE, BRAND-SPECIFIC, RETIRED OCL COLOR, OR CUSTOM FINISHES



- EMERGENCY BATTERY BACKUP OR INVERTER OPTIONS
- REMOTE DRIVERS / EXTENDED DISTANCE REMOTE DRIVERS
- DIMMING TO 0.1% (DIM TO DARK)
- NON-STANDARD SIZES OR LENGTHS
- NON-STANDARD CANOPY, BODY AND/OR CORD COLORS
- SEISMIC AND/OR ANTI-SWAY SYSTEMS
- RIGID STEMS
- MODIFIED OVERALL HEIGHTS (LONGER OR SHORTER OAH)
- UPLIGHT ADDITIONS
- LASER ETCHING, ENGRAVING, AND CUTOUTS

The drawings and specifications and ideas, designs and arrangements represented on these drawings are and shall remain the property of The Original Cast Lighting (OCL Architectural Lighting) and no part thereof shall be copied, disclosed, to others or used in conjunction with any work or project other than the specified project for which they have been prepared and developed, without written consent of OCL. Visual contact with these plans or specifications shall constitute conclusive evidence of acceptance of these restrictions. All specifications and information subject to change without notice.