

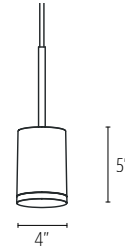


Astra™

PENDANT

FEATURES


- SMALL SCALE ARCHITECTURAL CYLINDER WITH ROBUST PERFORMANCE
- DIE-CAST BOTTOM BEZEL WITH AIRFLOW SLOTS
- EXCELLENT THERMAL MANAGEMENT IS ACHIEVED THROUGH A DIE-CAST ALUMINUM FIXTURE BODY
- VARYING BEAM SPREAD OPTIONS ARE AVAILABLE: NARROW FLOOD [24 DEGREE] OR WIDE FLOOD [50 DEGREE]
- 3 STEP LED BINNING



CATALOG CODES

AS1	-	B	-	04	-	E	-	f	-	UNV	-	H	-	I	-	J		
SERIES		HANGING SYSTEM		SIZE		REFLECTOR		FINISH		LIGHT SOURCE		VOLTAGE		OAH		CONTROL		OPTIONS

SPECIFY CATALOG CODE

A	B	C	D	E
SERIES	HANGING SYSTEM	SIZE	REFLECTOR	FINISH
 AS1 ASTRA	PICB PENDANT WITH SURFACE MOUNT CANOPY, SINGLE <u>WHITE</u> POWER CORD; MOUNTS TO 4X4 OCTAGON J-BOX (BY OTHERS)	04	NF NARROW FLOOD [24 DEGREE]	POWDER COAT FINISHES BKP BLACK BMP BRASS METALLIC BNP BRONZE BTP BLACK TEXTURED GRP GRAPHITE GLP GOLDTASTIC MWP MATTE WHITE SGP STEEL GRAY SMP SILVER METALLIC SWP SKY WHITE WTP WHITE TEXTURED
	P1FC PENDANT WITH FLAT CANOPY, SINGLE <u>WHITE</u> POWER CORD; MOUNTS TO OCL RECESSED J-BOX (PROVIDED BY OCL)		WF WIDE FLOOD [50 DEGREE]	
	P1BD PENDANT WITH EMERGENCY DRIVER IN SURFACE MOUNT CANOPY, SINGLE CENTER AIRCRAFT CABLE AND <u>WHITE</u> POWER CORD			

F	G	I	J
LIGHT SOURCE	VOLTAGE	CONTROL	OPTIONS
LED OUTPUT LED1 LED2 LED3	COLOR TEMP 27K 30K 35K 40K	UNV 120-277 48 100 144	DM1 0-10V DIMMING 1% DM3 LUTRON HI-LUME ECOSYSTEM 1% (LDE1)
			ULD DAMP LABEL MOD MODIFIED LUMINAIRE (CONTACT LOCAL REP)

SAMPLE CODE: AS1-P1CF-04-NF-WTP-LED1/35K-UNV-120-DM1-ULD

*For Minimum OAH, see hanging systems details. Fixture will ship with one of three standard OAH's (48", 100" or 144") field adjustable to the desired height.

UP TO **95** LM/W

LUMENS AND WATTAGE CHART		4"	
		NF	WF
LED1	LUMENS DELIVERED	855	950
	SYSTEM WATTAGE	10	10
LED2	LUMENS DELIVERED	1285	1425
	SYSTEM WATTAGE	15	15
LED3	LUMENS DELIVERED	2140	2375
	SYSTEM WATTAGE	25	25

This chart was created for a 35K color temp. Multiply by 0.95 for 27k color temp, 0.97 for 30k color temp, and 1.03 for 40k color temp.



This product meets the material restrictions of Article 4 of the RoHS Directive (2011/65/EU), including Commission Delegated Directive 2015/863.

MODS, NOTES, & COMMENTS

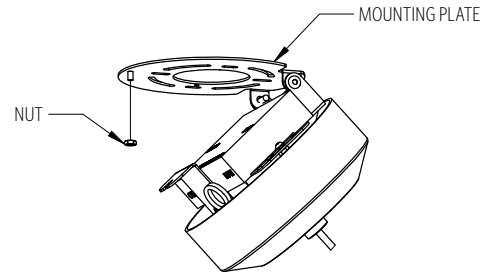
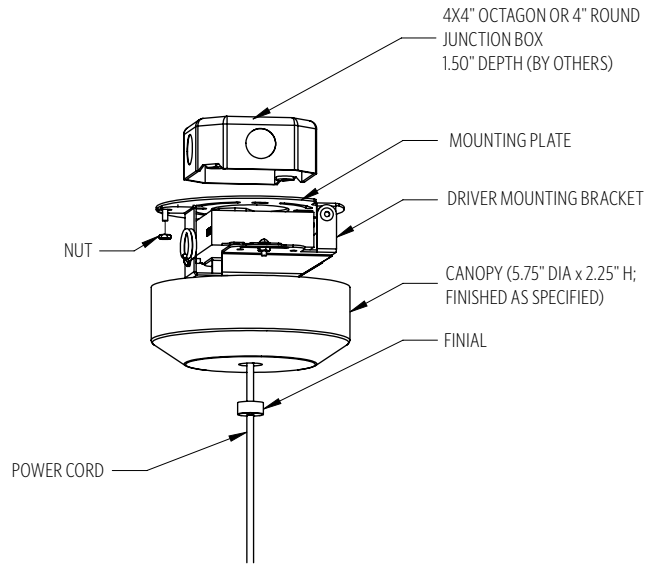
HANGING SYSTEM

PICB PENDANT WITH SURFACE MOUNT CANOPY, SINGLE **WHITE** POWER CORD;
MOUNTS TO 4X4 OCTAGON J-BOX (BY OTHERS)

MOUNTING INFORMATION CHART

LUMINAIRE SIZE	LUMINAIRE WEIGHT	MIN/MAX OAH
4"	6 LBS	12/144"

Fixture will ship with one of three standard OAH's (48", 100" or 144") field adjustable to the desired height.

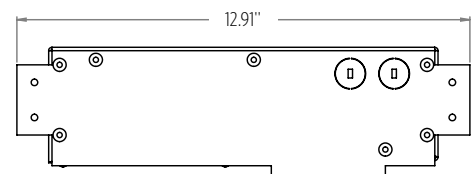
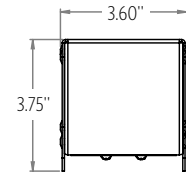
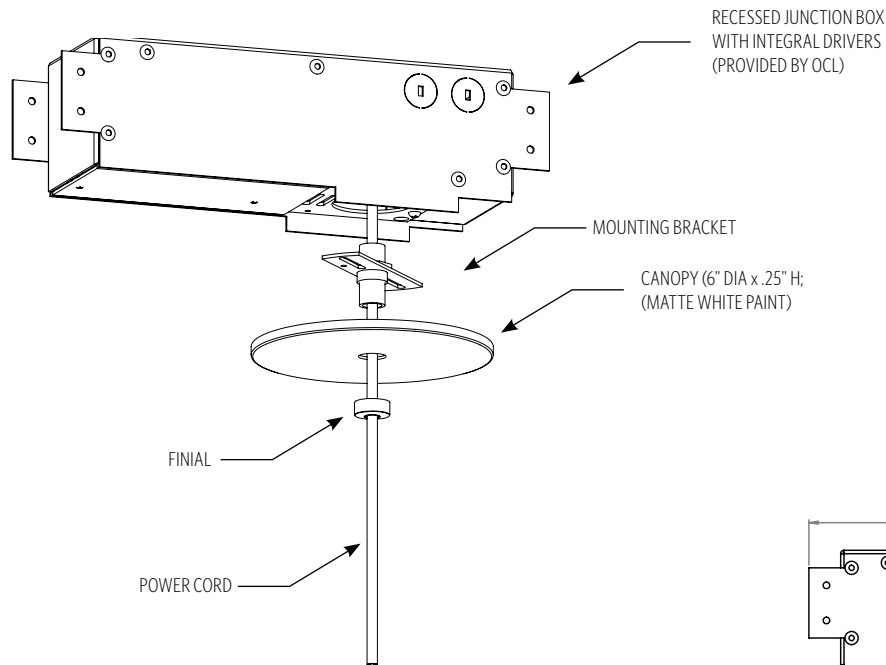


P1FC PENDANT WITH FLAT CANOPY, SINGLE **WHITE** POWER CORD;
MOUNTS TO OCL RECESSED J-BOX (PROVIDED BY OCL)

MOUNTING INFORMATION CHART

LUMINAIRE SIZE	LUMINAIRE WEIGHT	MIN/MAX OAH
8"	6 LBS	12/144"

Fixture will ship with one of three standard OAH's (48", 100" or 144") field adjustable to the desired height.



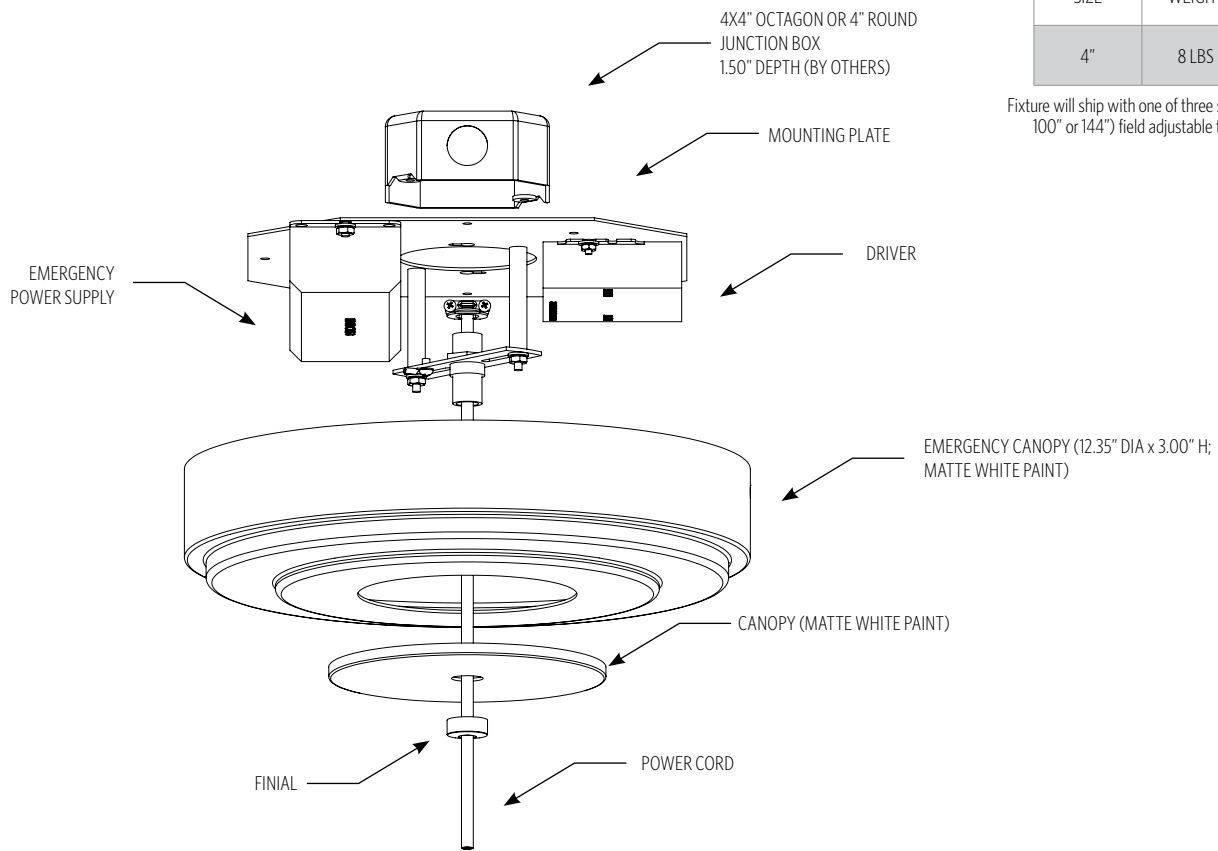
PROFILE VIEW
RECESSED JUNCTION BOX

PIBD PENDANT WITH EMERGENCY DRIVER IN SURFACE MOUNT CANOPY,
SINGLE CENTER AIRCRAFT CABLE AND **WHITE** POWER CORD

MOUNTING INFORMATION CHART

LUMINAIRE SIZE	LUMINAIRE WEIGHT	MIN/MAX OAH
4"	8 LBS	12/144"

Fixture will ship with one of three standard OAH's (48", 100" or 144") field adjustable to the desired height.



FINISH

METALLIC POWDER COAT FINISHES:



SOLID POWDER COAT FINISHES:



TEXTURED POWDER COAT FINISHES:



RAL®, Pantone®, or custom finishes are also available.

These colors are for reference only. Please be aware that colors may vary per monitor. Contact your local rep for finish samples or with any questions.

LIGHT SOURCE

LUMENS AND WATTAGE CHART		4"	
		NF	WF
LED1	LUMENS DELIVERED	855	950
	SYSTEM WATTAGE	10	10
LED2	LUMENS DELIVERED	1285	1425
	SYSTEM WATTAGE	15	15
LED3	LUMENS DELIVERED	2140	2375
	SYSTEM WATTAGE	25	25

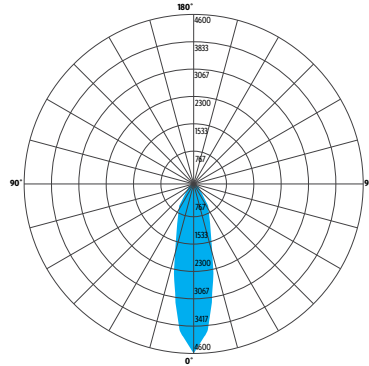
This chart was created for a 35K color temp. Multiply by 0.95 for 27k color temp, 0.97 for 30k color temp, and 1.03 for 40k color temp.

STANDARD COLOR TEMPERATURE OPTIONS	CRI (RA)
2700K	80+
3000K	80+
3500K	80+
4000K	80+

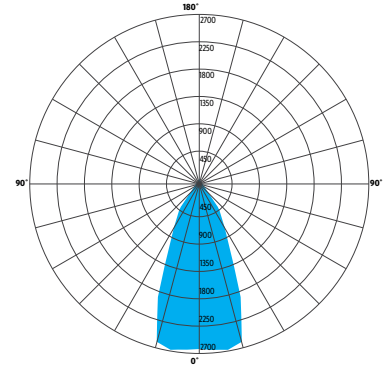
ZONE	NARROW FLOOD		WIDE FLOOD	
	LUMENS	% OF LUMINAIRE	LUMENS	% OF LUMINAIRE
0-30	1367	73%	1516	74%
0-60	1874	100%	1921	94%
0-90	1874	100%	2040	100%

PHOTOMETRY:

FIXTURE: ASI-PICD-04-WTP
 COLOR TEMP #: 3500K
 OUTPUT: 2375
 EFFICACY: 95 LM/W
 TEST REPORT: TEST NO. 17809.0



NARROW FLOOD



WIDE FLOOD

For all available IES files, please visit our website at ocl.com.

CONTROL

DM1 0-10V DIMMING DOWN TO 1%

- 0-10V DIMMING
- 1% MINIMUM DIMMING LEVEL
- ELECTRONIC DRIVER
- POWER FACTOR >0.9
- THD <20%
- MIN AMBIENT OPERATING TEMPERATURE = -31°F
- FIELD REPLACEABLE

DM3 LUTRON HI-LUME ECOSYSTEM 1% (LDE1)

- LUTRON DIGITAL ECOSYSTEM DIMMING
- 1% MINIMUM DIMMING LEVEL
- SOFT-ON / FADE-TO-BLACK
- ELECTRONIC DRIVER
- POWER FACTOR >0.9 @ 120V
- THD <23% @ 120V
- MIN AMBIENT OPERATING TEMPERATURE = 32°F
- FIELD REPLACEABLE

OPTIONS

ULD DAMP LABEL LUMINAIRE

- MAY BE USED IN AN OUTDOOR AREA THAT IS PROTECTED FROM DIRECT CONTACT WITH WIND, RAIN, SNOW OR EXCESSIVE MOISTURE

MOD MODIFIED LUMINAIRE

- LUMINAIRE IS MODIFIED FROM STANDARD OPTIONS; CONTACT LOCAL REP FOR MORE INFORMATION

SPECIFICATIONS

CONSTRUCTION

- FIXTURE IS DIE-CAST ALUMINUM
- HANGING SYSTEMS USE STEEL OR ALUMINUM CANOPIES
- HARDWARE IS ZINC PLATED OR STAINLESS STEEL

MOUNTING

- PICB & PIBD MOUNT TO 4X4" OCTAGON OR 4" ROUND J-BOX (BY OTHER)
- PIFC MOUNTS TO OCL PROPRIETARY RECESSED J-BOX WITH INTEGRAL DRIVER (PROVIDED BY OCL)

ELECTRICAL

- DIMMING ELECTRONIC DRIVER(S), COMES STANDARD WITH 0-10V DOWN TO 1%
- LUTRON (LDE1) ECOSYSTEM 1% ALSO AVAILABLE
- BRIDGELUX COB
- LUMINAIRE CONNECTS TO BUILDING SUPPLY (120V-277V 50/60HZ) UNLESS DRIVERS ARE REMOTE

EMERGENCY DRIVER

- EMERGENCY DRIVER RUNS AT 5W FOR 90 MINUTES WHEN ACTIVE
- 24 HOUR RECHARGE PERIOD
- 7-10 YEAR BATTERY LIFE
- 5 YEAR WARRANTY

LISTING

- ETL LISTED TO UL 1598 FOR DRY LOCATIONS; DAMP LOCATION LISTED IS OPTION

WARRANTY

- 5 YEAR; ALL ELECTRICAL COMPONENTS RETAIN THE MANUFACTURER'S WARRANTY

SUSTAINABILITY

- THIS PRODUCT MEETS THE MATERIAL RESTRICTIONS OF ARTICLE 4 OF THE **ROHS** DIRECTIVE (2011/65/EU), INCLUDING COMMISSION DELEGATED DIRECTIVE 2015/863

The drawings and specifications and ideas, designs and arrangements represented on these drawings are and shall remain the property of The Original Cast Lighting (OCL Architectural Lighting) and no part thereof shall be copied, disclosed, to others or used in conjunction with any work or project other than the specified project for which they have been prepared and developed, without written consent of OCL. Visual contact with these plans or specifications shall constitute conclusive evidence of acceptance of these restrictions. All specifications and information subject to change without notice.