

Glowstick™

PENDANT CLUSTER

FEATURES


- ELEGANT & CONTEMPORARY DESIGN WITH END LIT DIFFUSER
- EXCELLENT THERMAL MANAGEMENT IS ACHIEVED THROUGH AN EXTRUDED AND MACHINED ALUMINUM FIXTURE BODY
- CUSTOM CONFIGURATIONS ARE POSSIBLE
- SILVER BRAIDED POWER CORD
- 3 STEP LED BINNING
- FIELD REPLACEABLE LEDS AND DRIVERS
- AVAILABLE IN 80+ CRI AND 90+ CRI (R9>50)



CATALOG CODES

GS1	-	B	-	C	-	CR	-	E	-	LED1	-	UNV	-	H	-	DM1	-	J
SERIES		HANGING SYSTEM		SIZE		DIFFUSER		FINISH		LIGHT SOURCE		VOLTAGE		OAH		CONTROL		OPTIONS

SPECIFY CATALOG CODE

A	B	C	D	E
SERIES	HANGING SYSTEM	SIZE	DIFFUSER	FINISH
 GS1 GLOWSTICK	P3CA TRIPLE CLUSTER PENDANT WITH 3 SINGLE POWER CORDS	06	CR CLEAR ACRYLIC ROD	POWDER COAT FINISHES BKP BLACK BMP BRASS METALLIC BNP BRONZE BTP BLACK TEXTURED GRP GRAPHITE GLP GOLDTASTIC MWP MATTE WHITE SGP STEEL GRAY SMP SILVER METALLIC SWP SKY WHITE WTP WHITE TEXTURED
	P5CA FIVE CLUSTER PENDANT WITH 5 SINGLE POWER CORDS			
	P7CA SEVEN CLUSTER PENDANT WITH 7 SINGLE POWER CORDS	08		

F		G		H	I	J
LIGHT SOURCE		VOLTAGE		OAH	CONTROL	OPTIONS
LED OUTPUT LED1	COLOR TEMP (80+ CRI) 27K 30K 35K 40K	COLOR TEMP (90+ CRI) 927K 930K 935K 940K	UNV 120-277	48 100 144	DM1 0-10V DIMMING 1%	HCL HEX CELL LOUVER ULD UL DAMP LABEL MOD MODIFIED LUMINAIRE (CONTACT LOCAL REP)

SAMPLE CODE: GS1-P3CA-06-CR-WTP-LED1/35K-UNV-44-DM1-ULD

*For minimum OAH, see hanging systems details. Fixture will ship with one of three standard OAH's (48", 100" or 144") field adjustable to the desired height

UP TO **75** LM/W

		06	07	08
LED1	LUMENS DELIVERED	2475	4125	5775
	SYSTEM WATTAGE	33	55	77

This chart was created for a 35K color temp. Multiply by 0.95 for 27k color temp, 0.97 for 30k color temp, and 1.03 for 40k color temp.

Values shown for 80+ CRI. For 90+ CRI lumens use 0.85 multiplier.

MODS, NOTES, & COMMENTS

HANGING SYSTEM

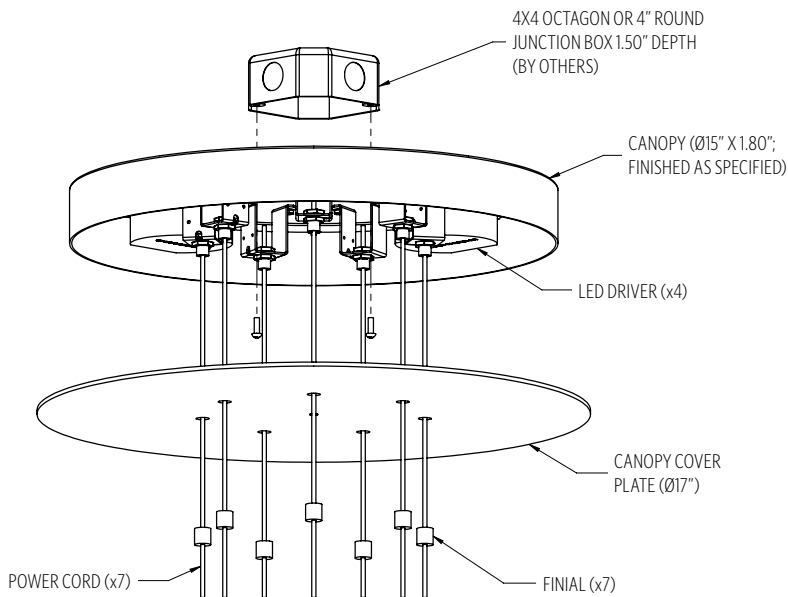
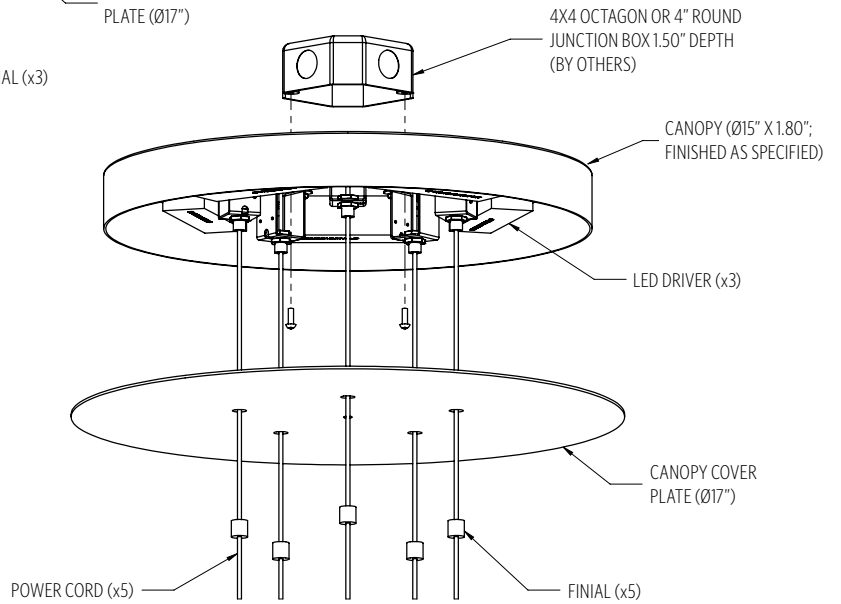
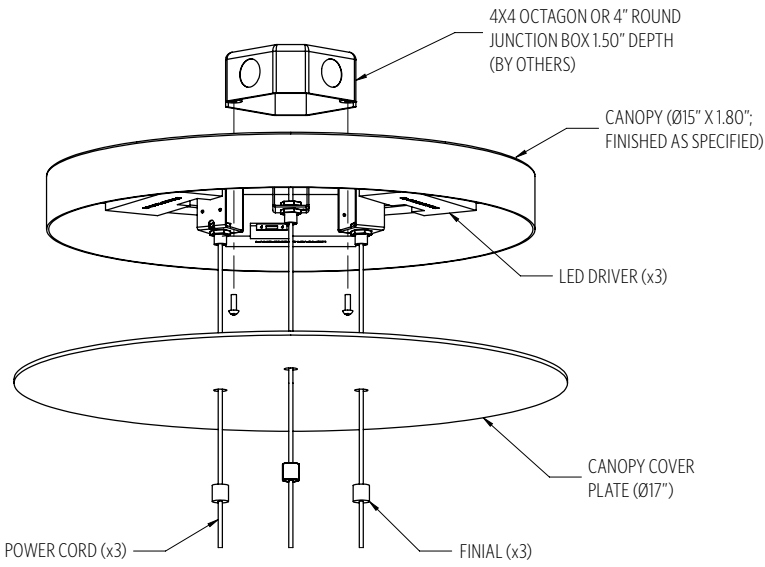
- P3CA** TRIPLE CLUSTER PENDANT WITH 3 SINGLE POWER CORDS
- P5CA** FIVE CLUSTER PENDANT WITH 5 SINGLE POWER CORDS
- P7CA** SEVEN CLUSTER PENDANT WITH 7 SINGLE POWER CORDS

MOUNTING INFORMATION CHART

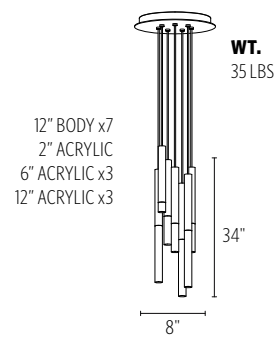
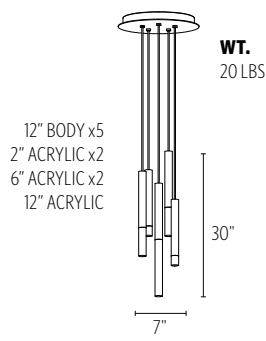
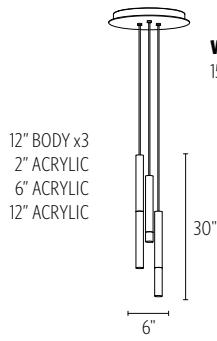
LUMINAIRE	LUMINAIRE WEIGHT	MOUNTING POINTS	MIN/MAX OAH
06	15 LBS	1	40/144"
07	20 LBS	1	40/144"
08	35 LBS	1	44/144"

Canopy requires additional anchors (by others)

For minimum OAH, see hanging systems details. Fixture will ship with one of three standard OAH's (48", 100" or 144") field adjustable to the desired height



SIZE AND SECTIONS



DIFFUSER

ACRYLIC FINISHES:



CR CLEAR ACRYLIC ROD

METALLIC POWDER COAT FINISHES:



SMP
SILVER



GRP
GRAPHITE



SGP
STEEL GRAY



GLP
GOLDTASTIC



BMP
BRASS



BNP
BRONZE

SOLID POWDER COAT FINISHES:



SWP
SKY WHITE



MWP
MATTE
WHITE



BKP
BLACK

TEXTURED POWDER COAT FINISHES:



BTP
BLACK
TEXTURED



WTP
WHITE
TEXTURED

RAL®, Pantone® or custom finishes are also available.

These colors are for reference only. Please be aware that colors may vary per monitor. Contact your local rep for finish samples or with any questions.

LIGHT SOURCE

		06	07	08
LED1	LUMENS DELIVERED	2475	4125	5775
	SYSTEM WATTAGE	33	55	77

This chart was created for a 35K color temp. Multiply by 0.95 for 27k color temp, 0.97 for 30k color temp, and 1.03 for 40k color temp.

Values shown for 80+ CRI. For 90+ CRI lumens use 0.85 multiplier.

STANDARD COLOR TEMPERATURE OPTIONS	CRI (RA)	
	2700K	80+
3000K	80+	90+
3500K	80+	90+
4000K	80+	90+

****PHOTOMETRIC INFORMATION PENDING****

CONTROL

DM1 0-10V DIMMING 1%

- 0-10V DIMMING
- 1% MINIMUM DIM LEVEL
- ELECTRONIC DRIVER
- POWER FACTOR >0.9
- THD <20%
- MINIMUM AMBIENT OPERATING TEMPERATURE -31°F
- FIELD REPLACEABLE

OPTIONS

HCL HEX CELL LOUVER

- PROVIDES A 45° VISUAL CUT-OFF TO HELP REDUCE GLARE

ULD DAMP LABEL LUMINAIRE

- MAY BE USED IN AN OUTDOOR AREA THAT IS PROTECTED FROM DIRECT CONTACT WITH WIND, RAIN, SNOW OR EXCESSIVE MOISTURE

MOD MODIFIED LUMINAIRE

- LUMINAIRE IS MODIFIED FROM STANDARD OPTIONS; CONTACT LOCAL REP FOR MORE INFORMATION

SPECIFICATIONS

CONSTRUCTION

- HOUSING IS EXTRUDED AND MACHINED ALUMINUM
- DIFFUSER IS CLEAR ACRYLIC
- CANOPY IS SPUN ALUMINUM
- HARDWARE IS ZINC PLATED OR STAINLESS STEEL

MOUNTING

- P3CA, P5CA, P7CA ALL MOUNT TO 4X4" OCTAGON OR 4" ROUND J-BOX (BY OTHERS)

ELECTRICAL

- DIMMING ELECTRONIC DRIVER(S), COMES STANDARD WITH 0-10V DOWN TO 1%
- BRIDGELUX COB
- 80+ CRI = 80 RA, R9 > 0 (10-15 TYP.)
- 90+ CRI = 90 RA, R9 > 50
- LUMINAIRE CONNECTS TO BUILDING SUPPLY (120V-277V 50/60HZ) UNLESS DRIVERS ARE REMOTE

LISTING

- ETL LISTED TO UL 1598 FOR DRY LOCATIONS, DAMP LOCATION LISTED IS OPTION

WARRANTY

- 5 YEAR; ALL ELECTRICAL COMPONENTS RETAIN THE MANUFACTURER'S WARRANTY

SUSTAINABILITY

- **DECLARE:** DECLARE IS AN INGREDIENT LABEL DISCLOSURE FOR BUILDING PRODUCTS THAT IS DESIGNED TO HELP SPECIFIERS QUICKLY IDENTIFY PRODUCTS THAT SUPPORT HUMAN AND ENVIRONMENTAL HEALTH. LEARN MORE AT [OCL.COM/DECLARE](https://www.oclighting.com/declare)
- THIS PRODUCT MEETS THE MATERIAL RESTRICTIONS OF ARTICLE 4 OF THE **ROHS** DIRECTIVE (2011/65/EU), INCLUDING COMMISSION DELEGATED DIRECTIVE 2015/863

DECLARE

Declare.

Glowstick OCL Architectural Lighting

Final Assembly: St Louis, Missouri, USA
Life Expectancy: 10 Year(s)
End of Life Options: Recyclable (82), Landfill (18)

Ingredients:

Small Electrical Component¹; Aluminum; Steel; Steel manufacture, chemicals; 2-Propenoic acid, 2-methyl-, methyl ester, polymer with ethyl 2-propenoate; Cadmium; Zinc; Distillates (petroleum), hydrotreated heavy naphthenic; Iron; Nickel (Metallic)

¹LBC Temp Exception RL-002 - Small Electrical Components

Living Building Challenge Criteria:

I-3 Red List:

- LBC Red List Free % Disclosed: 100% at 100ppm
- LBC Red List Approved VOC Content: Not Applicable
- Declared

I-10 Interior Performance: Not Applicable

I-14 Responsible Sourcing: Not Applicable

OCL-0001
EXP. 01 OCT 2024
Original Issue Date: 2023



MANUFACTURER CLAIMS VERIFIED BY SGS GLOBAL SERVICES INTERNATIONAL LIVING FUTURE INSTITUTE™ [living-future.org/declare](https://www.living-future.org/declare)

Final assembly location

Where was the product made?

Chemical ingredients

What is in this product?

Red List compliance

Are there Red List ingredients in this product?

Life expectancy + end of life options

How long will this product last + what do you do with it when you're done with it?

VOC info

Does this product off-gas?

DECLARE: PRODUCT TRANSPARENCY IN MANUFACTURING

Declare is the only label that combines material transparency and the Red List. It distills complex chemical ingredient information into an easy to read label. **Declare** helps specifiers find Red List Free products, which are healthy for people, the environment, and communities.

A product's compliance with the LBC Red List is represented on the **Declare**® label by the product's Declaration Status. There are three Declaration Statuses:

- **DECLARED (RLD)** products disclose 100% of ingredients present in the final product, but contain one or more Red List chemicals that are not covered by an approved exception.
- **LBC RED LIST APPROVED (RLA)** products disclose a minimum of 99% of ingredients present in the final product and meet the LBC Red List Imperative requirements through one or more approved exceptions.
- **LBC RED LIST FREE (RLF)** products disclose 100% of ingredients present at or above 100 ppm (0.01%) in the final product and do not contain any Red List chemicals.

Need more information? Visit [oclighting.com/declare](https://www.oclighting.com/declare) to learn more.

COMMON MODIFICATIONS

WE'RE BUILT FOR OUT-OF-THE-BOX THINKERS.

Nearly 50% of OCL fixtures we manufacture have some type of modification. Here is a list of common modifications we frequently produce. **Please contact the factory for modifications specific to your fixture or project.**

Need some help? Simply send your questions to us at OCL-Quotes@oclighting.com

- BIOS, TUNABLE WHITE, WARM-DIM, & RGBW LIGHT SOURCES
- SPECIFIC LUMEN OUTPUT
- MODIFIED CLUSTERS OR CONFIGURATIONS / MULTI-DROP CANOPIES
- VARIOUS SHAPES, ARCS, AND CURVES FOR LINEAR PROFILES AND RINGS
- CEILING OR SURFACE MOUNTING
- LARGE SCALE MODIFICATIONS
- RAL, PANTONE, BRAND-SPECIFIC, RETIRED OCL COLOR, OR CUSTOM FINISHES



- EMERGENCY BATTERY BACKUP OR INVERTER OPTIONS
- REMOTE DRIVERS / EXTENDED DISTANCE REMOTE DRIVERS
- DIMMING TO 0.1% (DIM TO DARK)
- NON-STANDARD SIZES OR LENGTHS
- NON-STANDARD CANOPY, BODY AND/OR CORD COLORS
- SEISMIC AND/OR ANTI-SWAY SYSTEMS
- RIGID STEMS
- MODIFIED OVERALL HEIGHTS (LONGER OR SHORTER OAH)
- UPLIGHT ADDITIONS
- LASER ETCHING, ENGRAVING, AND CUTOUTS

The drawings and specifications and ideas, designs and arrangements represented on these drawings are and shall remain the property of The Original Cast Lighting (OCL Architectural Lighting) and no part thereof shall be copied, disclosed, to others or used in conjunction with any work or project other than the specified project for which they have been prepared and developed, without written consent of OCL. Visual contact with these plans or specifications shall constitute conclusive evidence of acceptance of these restrictions. All specifications and information subject to change without notice.