



# Glowstick™

## PENDANT CLUSTER


**FEATURES**

- ELEGANT & CONTEMPORARY DESIGN WITH END LIT DIFFUSER
- EXCELLENT THERMAL MANAGEMENT IS ACHIEVED THROUGH AN EXTRUDED AND MACHINED ALUMINUM FIXTURE BODY
- CUSTOM CONFIGURATIONS ARE POSSIBLE
- SILVER BRAIDED POWER CORD
- 3 STEP LED BINNING
- FIELD REPLACEABLE LEDS AND DRIVERS
- AVAILABLE IN 80+ CRI AND 90+ CRI (R9>50)



**CATALOG CODES**

<b>GS1</b>	-	<b>B</b>	-	<b>C</b>	-	<b>CR</b>	-	<b>E</b>	-	<b>LED1</b>	-	<b>UNV</b>	-	<b>H</b>	-	<b>DM1</b>	-	<b>J</b>
SERIES		HANGING SYSTEM		SIZE		DIFFUSER		FINISH		LIGHT SOURCE		VOLTAGE		OAH		CONTROL		OPTIONS

SPECIFY CATALOG CODE					
A	B	C	D	E	
SERIES	HANGING SYSTEM	SIZE	DIFFUSER	FINISH	
 <b>GS1</b> GLOWSTICK	<b>P3CA</b> TRIPLE CLUSTER PENDANT WITH 3 SINGLE POWER CORDS	<b>06</b>	<b>CR</b> CLEAR ACRYLIC ROD	<b>POWDER COAT FINISHES</b> <b>BKP</b> BLACK <b>BMP</b> BRASS METALLIC <b>BNP</b> BRONZE <b>BTP</b> BLACK TEXTURED <b>GRP</b> GRAPHITE <b>GLP</b> GOLDTASTIC <b>MWP</b> MATTE WHITE <b>SGP</b> STEEL GRAY <b>SMP</b> SILVER METALLIC <b>SWP</b> SKY WHITE <b>WTP</b> WHITE TEXTURED	
	<b>P5CA</b> FIVE CLUSTER PENDANT WITH 5 SINGLE POWER CORDS				<b>07</b>
	<b>P7CA</b> SEVEN CLUSTER PENDANT WITH 7 SINGLE POWER CORDS				<b>08</b>

F		G		H	I	J
LIGHT SOURCE		VOLTAGE		OAH	CONTROL	OPTIONS
<b>LED OUTPUT</b> <b>LED1</b>	<b>COLOR TEMP</b> (80+ CRI) <b>27K</b> <b>30K</b> <b>35K</b> <b>40K</b>	<b>COLOR TEMP</b> (90+ CRI) <b>927K</b> <b>930K</b> <b>935K</b> <b>940K</b>	<b>UNV</b> 120-277	<b>48</b> <b>100</b> <b>144</b>	<b>DM1</b> 0-10V DIMMING 1%	<b>HCL</b> HEX CELL LOUVER <b>ULD</b> UL DAMP LABEL <b>MOD</b> MODIFIED LUMINAIRE (CONTACT LOCAL REP)

**SAMPLE CODE: GS1-P3CA-06-CR-WTP-LED1/35K-UNV-44-DM1-ULD**

\*\*For minimum OAH, see hanging systems details. Fixture will ship with one of three standard OAH's (48", 100" or 144") field adjustable to the desired height

UP TO **75** LM/W

		06	07	08
<b>LED1</b>	LUMENS DELIVERED	2475	4125	5775
	SYSTEM WATTAGE	33	55	77

This chart was created for a 35K color temp. Multiply by 0.95 for 27k color temp, 0.97 for 30k color temp, and 1.03 for 40k color temp.  
 Values shown for 80+ CRI. For 90+ CRI lumens use 0.85 multiplier.

**MODS, NOTES, & COMMENTS**



This product meets the material restrictions of Article 4 of the RoHS Directive (2011/65/EU), including Commission Delegated Directive 2015/863

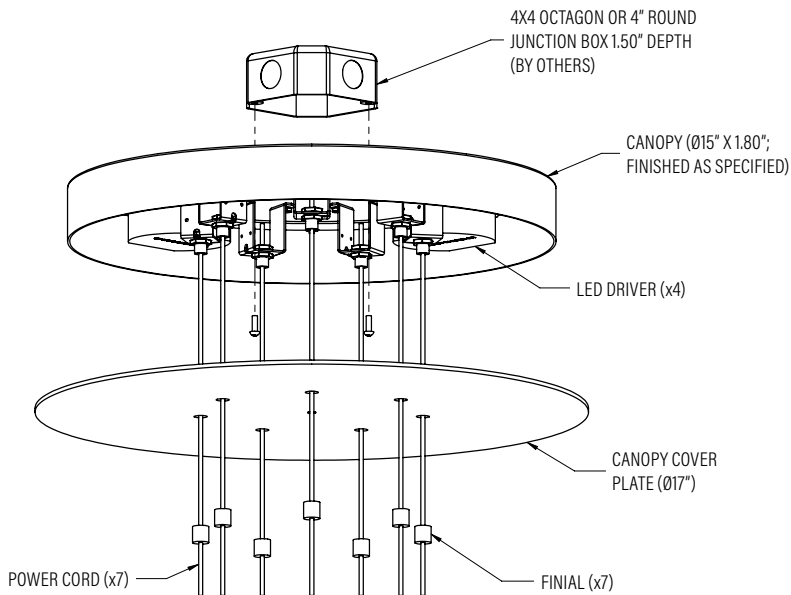
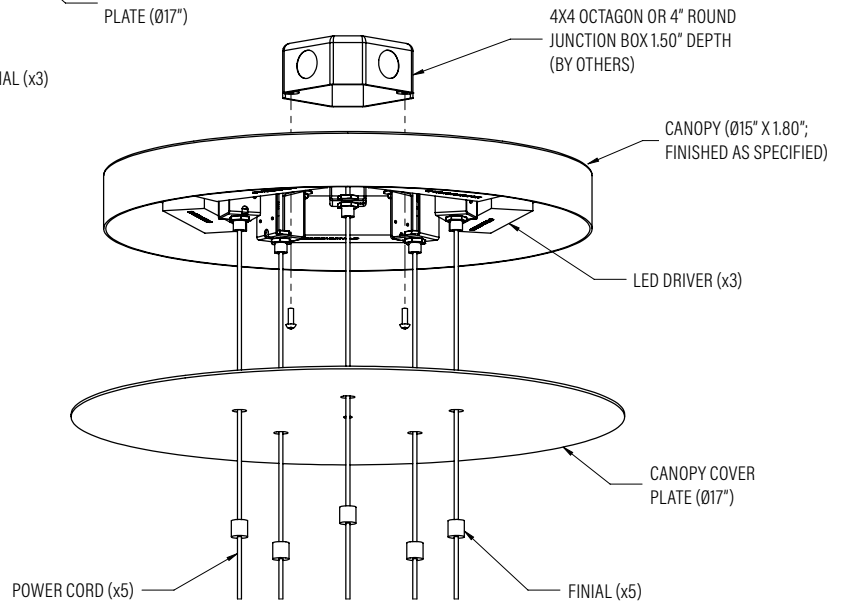
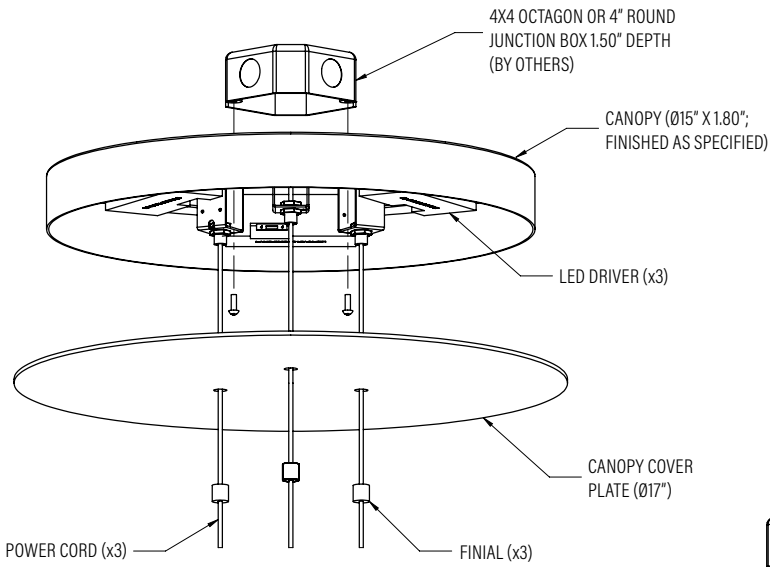
## HANGING SYSTEM

- P3CA** TRIPLE CLUSTER PENDANT WITH 3 SINGLE POWER CORDS
- P5CA** FIVE CLUSTER PENDANT WITH 5 SINGLE POWER CORDS
- P7CA** SEVEN CLUSTER PENDANT WITH 7 SINGLE POWER CORDS

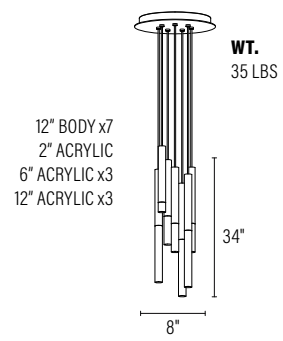
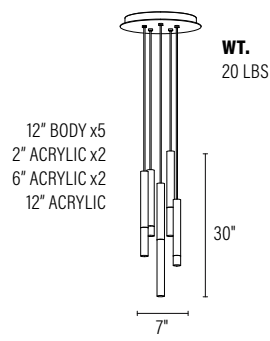
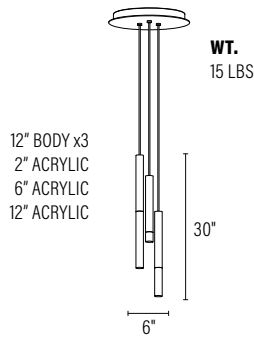
### MOUNTING INFORMATION CHART

LUMINAIRE	LUMINAIRE WEIGHT	MOUNTING POINTS	MIN/MAX OAH
06	15 LBS	1	40/144"
07	20 LBS	1	40/144"
08	35 LBS	1	44/144"

Canopy requires additional anchors (by others)  
 For minimum OAH, see hanging systems details. Fixture will ship with one of three standard OAH's (48", 100" or 144") field adjustable to the desired height



## SIZE AND SECTIONS



### DIFFUSER

#### ACRYLIC FINISHES:



**CR** CLEAR ACRYLIC ROD

#### METALLIC POWDER COAT FINISHES:



**SMP**  
SILVER



**GRP**  
GRAPHITE



**SGP**  
STEEL GRAY



**GLP**  
GOLDTASTIC



**BMP**  
BRASS



**BNP**  
BRONZE

#### SOLID POWDER COAT FINISHES:



**SWP**  
SKY WHITE



**MWP**  
MATTE  
WHITE



**BKP**  
BLACK

#### TEXTURED POWDER COAT FINISHES:



**BTP**  
BLACK  
TEXTURED



**WTP**  
WHITE  
TEXTURED

**RAL, Pantone® or custom finishes are also available.**

These colors are for reference only. Please be aware that colors may vary per monitor. Contact your local rep for finish samples or with any questions.

## LIGHT SOURCE

		06	07	08
<b>LEDI</b>	LUMENS DELIVERED	2475	4125	5775
	SYSTEM WATTAGE	33	55	77

This chart was created for a 35K color temp. Multiply by 0.95 for 27k color temp, 0.97 for 30k color temp, and 1.03 for 40k color temp.

Values shown for 80+ CRI. For 90+ CRI lumens use 0.85 multiplier.

STANDARD COLOR TEMPERATURE OPTIONS	CRI (RA)	
	2700K	80+
3000K	80+	90+
3500K	80+	90+
4000K	80+	90+

**\*\*PHOTOMETRIC INFORMATION PENDING\*\***

## CONTROL

#### DMI 0-10V DIMMING 1%

- 0-10V DIMMING
- 1% MINIMUM DIM LEVEL
- ELECTRONIC DRIVER
- POWER FACTOR >0.9
- THD <20%
- MINIMUM AMBIENT OPERATING TEMPERATURE -31°F
- FIELD REPLACEABLE

## OPTIONS

#### HCL HEX CELL LOUVER

- PROVIDES A 45° VISUAL CUT-OFF TO HELP REDUCE GLARE

#### ULD DAMP LABEL LUMINAIRE

- MAY BE USED IN AN OUTDOOR AREA THAT IS PROTECTED FROM DIRECT CONTACT WITH WIND, RAIN, SNOW OR EXCESSIVE MOISTURE

#### MOD MODIFIED LUMINAIRE

- LUMINAIRE IS MODIFIED FROM STANDARD OPTIONS; CONTACT LOCAL REP FOR MORE INFORMATION

## SPECIFICATIONS

### CONSTRUCTION

- HOUSING IS EXTRUDED AND MACHINED ALUMINUM
- DIFFUSER IS CLEAR ACRYLIC
- CANOPY IS SPUN ALUMINUM
- HARDWARE IS ZINC PLATED OR STAINLESS STEEL

### MOUNTING

- P3CA, P5CA, P7CA ALL MOUNT TO 4X4" OCTAGON OR 4" ROUND J-BOX (BY OTHERS)

### ELECTRICAL

- DIMMING ELECTRONIC DRIVER(S), COMES STANDARD WITH 0-10V DOWN TO 1%
- BRIDGELUX COB
- 80+ CRI = 80 RA, R9 > 0 (10-15 TYP.)
- 90+ CRI = 90 RA, R9 > 50
- LUMINAIRE CONNECTS TO BUILDING SUPPLY (120V-277V 50/60HZ) UNLESS DRIVERS ARE REMOTE

### LISTING

- ETL LISTED TO UL 1598 FOR DRY LOCATIONS, DAMP LOCATION LISTED IS OPTION

### WARRANTY

- 5 YEAR; ALL ELECTRICAL COMPONENTS RETAIN THE MANUFACTURER'S WARRANTY

### SUSTAINABILITY

- THIS PRODUCT MEETS THE MATERIAL RESTRICTIONS OF ARTICLE 4 OF THE **ROHS** DIRECTIVE (2011/65/EU), INCLUDING COMMISSION DELEGATED DIRECTIVE 2015/863

The drawings and specifications and ideas, designs and arrangements represented on these drawings are and shall remain the property of The Original Cast Lighting (OCL Architectural Lighting) and no part thereof shall be copied, disclosed, to others or used in conjunction with any work or project other than the specified project for which they have been prepared and developed, without written consent of OCL. Visual contact with these plans or specifications shall constitute conclusive evidence of acceptance of these restrictions. All specifications and information subject to change without notice.