



Glowstick™

PENDANT CLUSTER

FEATURES


- ELEGANT & CONTEMPORARY DESIGN WITH END LIT DIFFUSER
- EXCELLENT THERMAL MANAGEMENT IS ACHIEVED THROUGH AN EXTRUDED AND MACHINED ALUMINUM FIXTURE BODY
- CUSTOM CONFIGURATIONS ARE POSSIBLE
- SILVER BRAIDED POWER CORD
- 3 STEP LED BINNING
- FIELD REPLACEABLE LEDS AND DRIVERS



CATALOG CODES

GS1	-	B	-	C	-	CR	-	E	-	LED1	-	UNV	-	H	-	DM1	-	J
SERIES		HANGING SYSTEM		SIZE		DIFFUSER		FINISH		LIGHT SOURCE		VOLTAGE		OAH		CONTROL		OPTIONS

SPECIFY CATALOG CODE

A	B	C	D	E																								
SERIES	HANGING SYSTEM	SIZE	DIFFUSER	FINISH																								
 GS1 GLOWSTICK	P3CA TRIPLE CLUSTER PENDANT WITH 3 SINGLE POWER CORDS	06	CR CLEAR ACRYLIC ROD	POWDER COAT FINISHES <table border="0"> <tr> <td>AWP AUTUMN WHITE</td> <td>HEP HENNA</td> </tr> <tr> <td>BEP BEIGE</td> <td>KAP KHAKI</td> </tr> <tr> <td>BKP BLACK</td> <td>LBP LIGHT BRONZE</td> </tr> <tr> <td>BLP BLUE</td> <td>MWP MATTE WHITE</td> </tr> <tr> <td>BMP BRASS METALLIC</td> <td>RHP RESEDA HAMMERTONE</td> </tr> <tr> <td>BNP BRONZE</td> <td>SAP SAGE GREEN</td> </tr> <tr> <td>BTP BLACK TEXTURED</td> <td>SGP STEEL GRAY</td> </tr> <tr> <td>CHP COPPER HAMMERTONE</td> <td>SHP SILVER HAMMERTONE</td> </tr> <tr> <td>CMP COPPER METALLIC</td> <td>SMP SILVER METALLIC</td> </tr> <tr> <td>DBP DENIM BLUE</td> <td>SRP STORM GRAY</td> </tr> <tr> <td>GRP GRAPHITE</td> <td>SWP SKY WHITE</td> </tr> <tr> <td>GTP GRAY TEXTURED</td> <td>WTP WHITE TEXTURED</td> </tr> </table>	AWP AUTUMN WHITE	HEP HENNA	BEP BEIGE	KAP KHAKI	BKP BLACK	LBP LIGHT BRONZE	BLP BLUE	MWP MATTE WHITE	BMP BRASS METALLIC	RHP RESEDA HAMMERTONE	BNP BRONZE	SAP SAGE GREEN	BTP BLACK TEXTURED	SGP STEEL GRAY	CHP COPPER HAMMERTONE	SHP SILVER HAMMERTONE	CMP COPPER METALLIC	SMP SILVER METALLIC	DBP DENIM BLUE	SRP STORM GRAY	GRP GRAPHITE	SWP SKY WHITE	GTP GRAY TEXTURED	WTP WHITE TEXTURED
	AWP AUTUMN WHITE				HEP HENNA																							
	BEP BEIGE	KAP KHAKI																										
BKP BLACK	LBP LIGHT BRONZE																											
BLP BLUE	MWP MATTE WHITE																											
BMP BRASS METALLIC	RHP RESEDA HAMMERTONE																											
BNP BRONZE	SAP SAGE GREEN																											
BTP BLACK TEXTURED	SGP STEEL GRAY																											
CHP COPPER HAMMERTONE	SHP SILVER HAMMERTONE																											
CMP COPPER METALLIC	SMP SILVER METALLIC																											
DBP DENIM BLUE	SRP STORM GRAY																											
GRP GRAPHITE	SWP SKY WHITE																											
GTP GRAY TEXTURED	WTP WHITE TEXTURED																											
P5CA FIVE CLUSTER PENDANT WITH 5 SINGLE POWER CORDS	07																											
P7CA SEVEN CLUSTER PENDANT WITH 7 SINGLE POWER CORDS	08																											

F	G	H	I	J																
LIGHT SOURCE	VOLTAGE	OAH	CONTROL	OPTIONS																
<table border="0"> <tr> <td>LED OUTPUT</td> <td>COLOR TEMP</td> </tr> <tr> <td>LED1</td> <td>27K</td> </tr> <tr> <td></td> <td>30K</td> </tr> <tr> <td></td> <td>35K</td> </tr> <tr> <td></td> <td>40K</td> </tr> </table>	LED OUTPUT	COLOR TEMP	LED1	27K		30K		35K		40K	UNV 120-277	SPECIFY IN INCHES	DM1 0-10V DIMMING 1%	<table border="0"> <tr> <td>HCL</td> <td>HEX CELL LOUVER</td> </tr> <tr> <td>ULD</td> <td>UL DAMP LABEL</td> </tr> <tr> <td>MOD</td> <td>MODIFIED LUMINAIRE (CONTACT LOCAL REP)</td> </tr> </table>	HCL	HEX CELL LOUVER	ULD	UL DAMP LABEL	MOD	MODIFIED LUMINAIRE (CONTACT LOCAL REP)
LED OUTPUT	COLOR TEMP																			
LED1	27K																			
	30K																			
	35K																			
	40K																			
HCL	HEX CELL LOUVER																			
ULD	UL DAMP LABEL																			
MOD	MODIFIED LUMINAIRE (CONTACT LOCAL REP)																			

SAMPLE CODE: GS1-P3CA-06-CR-WTP-LED1/35K-UNV-44-DM1-ULD

MODS, NOTES, & COMMENTS

UP TO **75** LM/W

		06	07	08
LED1	LUMENS DELIVERED	2475	4125	5775
	SYSTEM WATTAGE	33	55	77

This chart was created for a 35K color temp. Multiply by 0.95 for 27k color temp, 0.97 for 30k color temp, and 1.03 for 40k color temp.

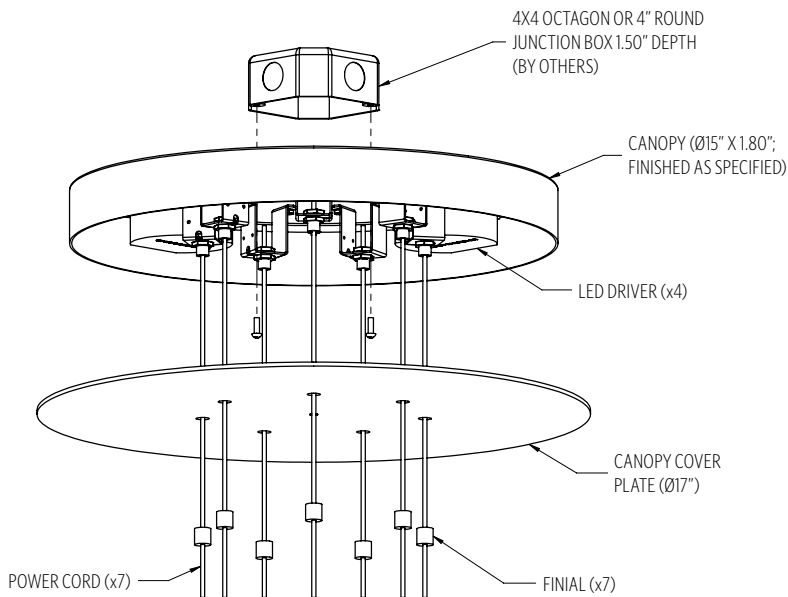
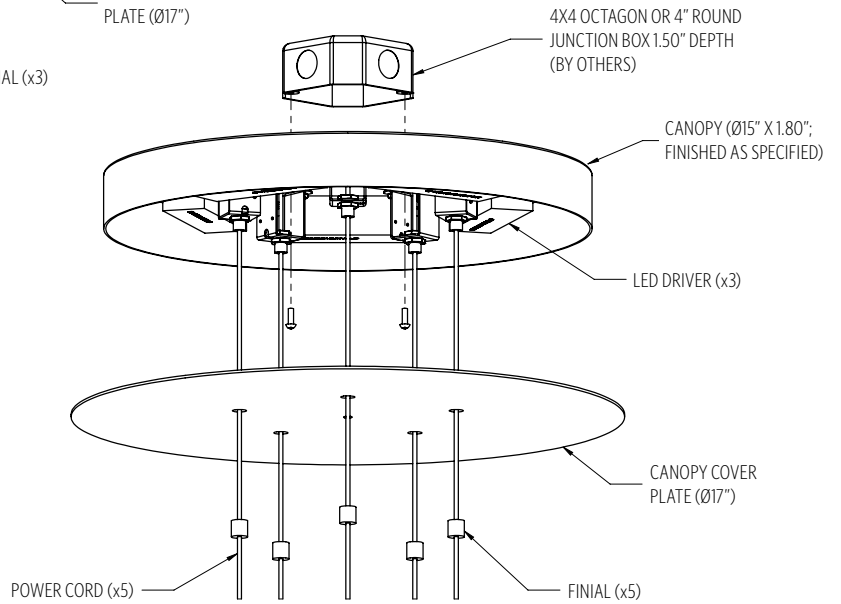
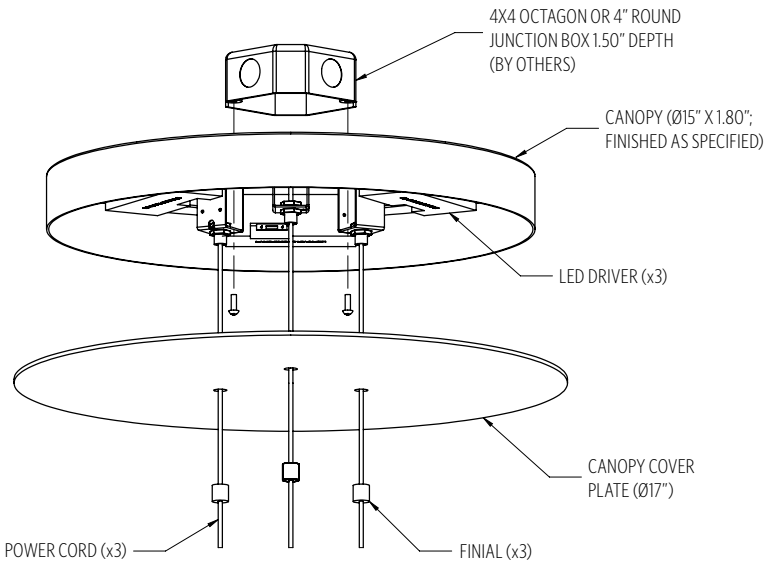
HANGING SYSTEM

- P3CA** TRIPLE CLUSTER PENDANT WITH 3 SINGLE POWER CORDS
- P5CA** FIVE CLUSTER PENDANT WITH 5 SINGLE POWER CORDS
- P7CA** SEVEN CLUSTER PENDANT WITH 7 SINGLE POWER CORDS

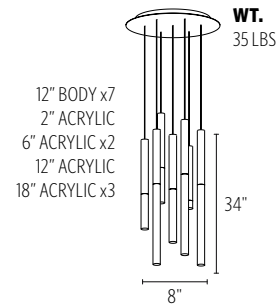
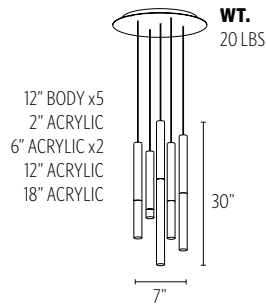
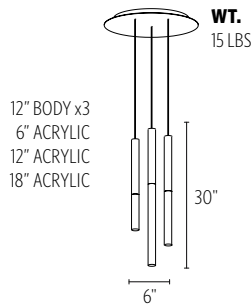
MOUNTING INFORMATION CHART

LUMINAIRE	LUMINAIRE WEIGHT	MOUNTING POINTS	MIN/MAX OAH
60	15 LBS	1	40/120"
07	20 LBS	1	40/120"
08	35 LBS	1	44/120"

Canopy requires additional anchors (by others)



SIZE AND SECTIONS



DIFFUSER

ACRYLIC FINISHES:



CR CLEAR ACRYLIC ROD

FINISH

SOLID POWDER COAT FINISHES:



SWP
SKY WHITE



MWP
MATTE WHITE



AWP
AUTUMN WHITE



SRP
STORM GRAY



KAP
KHAKI



BEP
BEIGE



HEP
HENNA



SAP
SAGE GREEN



BLP
BLUE



BKP
BLACK

METALLIC POWDER COAT FINISHES:



SMP
SILVER



GRP
GRAPHITE



SGP
STEEL GRAY



BMP
BRASS



LBP
LIGHT BRONZE



BNP
BRONZE



CMP
COPPER



DBP
DENIM BLUE

TEXTURED POWDER COAT FINISHES:



SHP
SILVER
HAMMERTONE



CHP
COPPER
HAMMERTONE



RHP
RESEDA
HAMMERTONE



BTP
BLACK
TEXTURED



GTP
GRAY
TEXTURED



WTP
WHITE
TEXTURED

These colors are for reference only. Please be aware that colors may vary per monitor. Please contact your sales rep for finish samples.

LIGHT SOURCE

		06	07	08
LED1	LUMENS DELIVERED	2475	4125	5775
	SYSTEM WATTAGE	33	55	77

This chart was created for a 35K color temp. Multiply by 0.95 for 27k color temp, 0.97 for 30k color temp, and 1.03 for 40k color temp.

STANDARD COLOR TEMPERATURE OPTIONS	CRI
2700K	80+
3000K	80+
3500K	80+
4000K	80+

****PHOTOMETRIC INFORMATION PENDING****

CONTROL

DM1 0-10V DIMMING 1%

- 0-10V DIMMING
- 1% MINIMUM DIM LEVEL
- ELECTRONIC DRIVER
- POWER FACTOR >0.9
- THD <20%
- MINIMUM AMBIENT OPERATING TEMPERATURE -31°F
- FIELD REPLACEABLE

OPTIONS

HCL HEX CELL LOUVER

- PROVIDES A 45° VISUAL CUT-OFF TO HELP REDUCE GLARE

ULD DAMP LABEL LUMINAIRE

- MAY BE USED IN AN OUTDOOR AREA THAT IS PROTECTED FROM DIRECT CONTACT WITH WIND, RAIN, SNOW OR EXCESSIVE MOISTURE

MOD MODIFIED LUMINAIRE

- LUMINAIRE IS MODIFIED FROM STANDARD OPTIONS; CONTACT LOCAL REP FOR MORE INFORMATION

SPECIFICATIONS

CONSTRUCTION

- HOUSING IS EXTRUDED AND MACHINED ALUMINUM
- DIFFUSER IS CLEAR ACRYLIC
- CANOPY IS SPUN ALUMINUM
- HARDWARE IS ZINC PLATED OR STAINLESS STEEL

MOUNTING

- P3CA, P5CA, P7CA ALL MOUNT TO 4X4" OCTAGON OR 4" ROUND J-BOX (BY OTHERS)

ELECTRICAL

- DIMMING ELECTRONIC DRIVER(S), COMES STANDARD WITH 0-10V DOWN TO 1%
- BRIDGELUX COB LED
- LUMINAIRE CONNECTS TO BUILDING SUPPLY (120V-277V 50/60HZ) UNLESS DRIVERS ARE REMOTE

LISTING

- ETL LISTED TO UL 1598 FOR DRY LOCATIONS, DAMP LOCATION LISTED IS OPTION

WARRANTY

- 5 YEAR; ALL ELECTRICAL COMPONENTS RETAIN THE MANUFACTURER'S WARRANTY

The drawings and specifications and ideas, designs and arrangements represented on these drawings are and shall remain the property of The Original Cast Lighting (OCL Architectural Lighting) and no part thereof shall be copied, disclosed, to others or used in conjunction with any work or project other than the specified project for which they have been prepared and developed, without written consent of OCL. Visual contact with these plans or specifications shall constitute conclusive evidence of acceptance of these restrictions. All specifications and information subject to change without notice.