

INSTALLATION INSTRUCTIONS FIORI OUTDOOR SCONCE WITH O10B HANGING SYSTEM

These instructions cover the FIORI OUTDOOR SCONCE luminaire with the following options:

SERIES	HANGING SYSTEM	SIZE	LIGHT SOURCE	CONTROL	WIRE LABEL TABLE
1. FR1 SERIES	O10B: OUTDOOR SCONCE	08"	STATIC WHITE	DMO: 0-10V DIMMING 10%	WIRE LABEL TABLE ON PAGE 4
2. FR2 SERIES		13" (FOR FR1 SERIES ONLY)		DM1: 0-10V DIM 1%	
3. FR3 SERIES				DM3: LUTRON HI-LUME ECOSYSTEM 1% (LDE1)	
4. FR4 SERIES				(NOT AVAILABLE IN 8" OR 2LED1)	

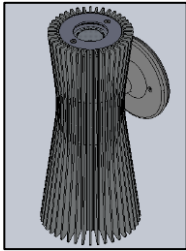


FIG. 1 - FR1-O10B-13-XX-PTD-2LED1-XXX-UNV-DMO-XXX (AS SHOWN)

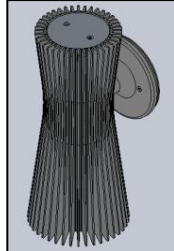


FIG. 2 - FR1-O10B-13-XX-PTD-LED1-XXX-UNV-DMX-XXX (AS SHOWN)

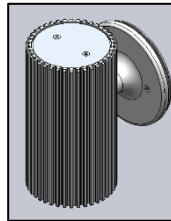


FIG. 3 - FR2-O10B-08-XX-PTD-LED1-XXX-UNV-DM1-XXX (AS SHOWN)

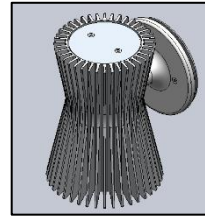


FIG. 4 - FR3-O10B-08-XX-PTD-LED1-XXX-UNV-DM1-XXX (AS SHOWN)

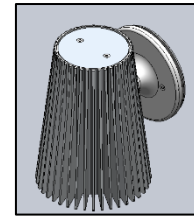


FIG. 5 - FR4-O10B-08-XX-PTD-LED1-XXX-UNV-DM1-XXX (AS SHOWN)

GENERAL NOTES:

1. PLEASE COMPLETELY READ THE INSTALLATION INSTRUCTIONS BEFORE STARTING INSTALLATION.
2. TURN OFF POWER TO CIRCUIT FIXTURE WHILE IT IS BEING INSTALLED.
3. INSTALL IN ACCORDANCE WITH ALL LOCAL, STATE AND NATIONAL CODES CONSULT WITH A QUALIFIED ELECTRICIAN FOR PROPER INSTALLATION.
4. CAREFULLY UNPACK ALL CONTENTS; SOME COMPONENTS MAY HAVE BEEN SHIPPED IN SEPARATE BOXES MOST FIXTURES ARE SHIPPED PARTIALLY ASSEMBLED. SOME UNASSEMBLY MAY BE REQUIRED FOR INSTALLATION.
5. DO NOT LET THE FIORI LUMINAIRE HANG FROM THE WIRE CONNECTIONS.
6. DUE TO A CHANGE IN NEC SECTION 410.69 EFFECTIVE IN 2022, THE COLOR PINK WILL BE USED IN PLACE OF GRAY FOR 0-10V CONTROL. NOTE THAT EXISTING SYSTEMS AND FIXTURES MANUFACTURED PRIOR TO 2022 MAY STILL USE GRAY WIRE AS AN UNGROUNDED CONDUCTOR FOR 0-10V CONTROL. CARE SHOULD BE TAKEN WHEN WORKING ON EXISTING SYSTEMS.

OCL Architectural Lighting

Phone: 314.863.1895
Fax: 314.863.3278
www.ocl.com

Table of Contents

GENERAL INFORMATION:	3
MOUNTING:	4
FIORI MOUNTING:	4

FRX-O10B-INSTALLATION INSTRUCTIONS

GENERAL INFORMATION:

You will receive the following with each FIORI O10B Series fixture:

1. FIORI OUTDOOR SCONCE LUMINAIRE. (as shown in FIG. 6)
2. INSTALLATION INSTRUCTION MANUAL (shown in FIG. 7) - Please completely read the install instructions before starting installation.

WARNING: Examine all components for any damage before beginning installation.

WARNING: This fixture should be installed by a licensed electrician only.

WARNING: Be careful not to scratch or damage any finished parts.

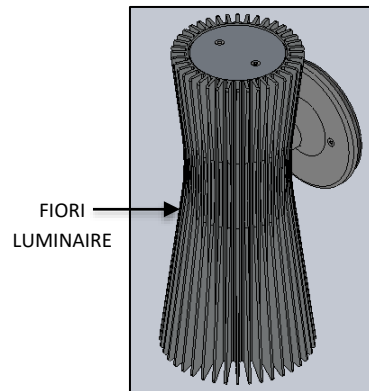


FIG.6 - FIORI OUTDOOR SCONCE LUMINAIRE

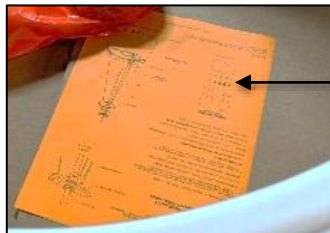


FIG.7 - INSTALLATION INSTRUCTION
MANUAL

OCL Architectural Lighting

Phone: 314.863.1895

Fax: 314.863.3278

www.ocl.com

FRX-O10B-INSTALLATION INSTRUCTIONS

MOUNTING:

FIORI MOUNTING:

1. Turn off Power.
2. Disassemble the MOUNTING PLATE from FIORI FIXTURE (CANOPY) by unscrewing TWO SCREWS as shown in FIG. 8 (with 3/32" Allen Key).
3. Attach the MOUNTING PLATE to the JUNCTION BOX (SCREWS BY OTHERS) as shown in FIG. 9. Make sure that the Two fixture MOUNTING HOLES are horizontal.

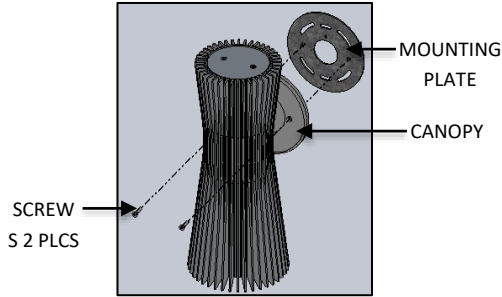


FIG. 8 – MOUNTING PLATE DISASSEMBLY

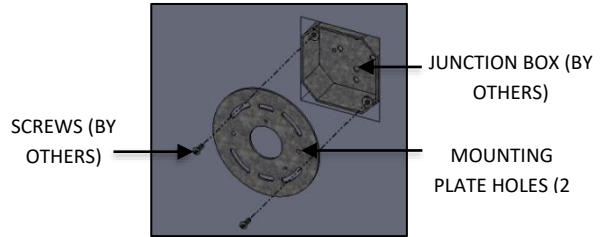


FIG. 9 – MOUNTING PLATE ASSEMBLY TO J-BOX (BY OTHERS)

4. Raise FIORI FIXTURE (shown in FIG.10) and make wire connections between Building Supply and fixture inside the JUNCTION BOX (BY OTHERS) in accordance with the National Electrical code and all applicable local and state codes. See WIRE DIAGRAM and WIRE LABEL TABLE shown in FIG. 11 & FIG.12 for Wire Connections.

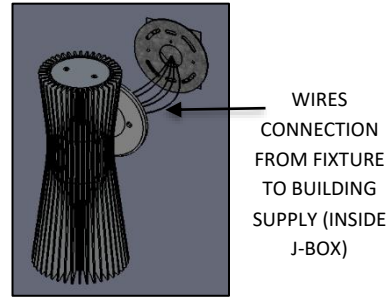


FIG. 10 – WIRE CONNECTION TO J-BOX



WARNING: Make sure to never let the fixture hang from the wire connections.

WIRE DIAGRAM TABLE						
SERIES	HANGING SYSTEM	BODY SIZE	BODYLIGHT SOURCE	LED OUTPUT	CONTROL	WIRE LABEL TABLE
1. FR1	O10B: OUTDOOR SCONCE	08"	STATIC WHITE	LED1	DMO: 0-10V DIMMING 10%	WIRE LABEL TABLE ON PAGE 4
2. FR2		13" (FOR FR1 SERIES ONLY)	STATIC WHITE	LED1 LED2 LED3 2LED1	DM1: 0-10V DIM 1%	
3. FR3					DM3: LUTRON HI-LUME ECOSYSTEM 1% (LDE1)	
4. FR4					(NOT AVAILABLE IN 8" OR 2LED1)	

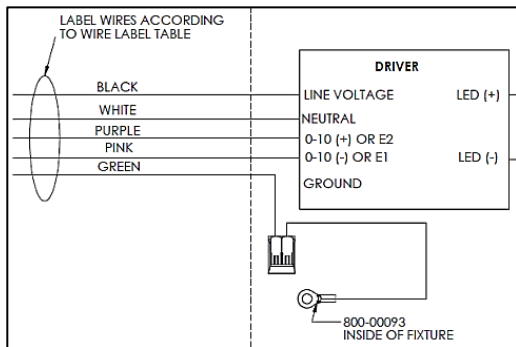


FIG. 11 – WIRE DIAGRAM

CONTROL	WIRE COLOR	LABEL
ALL	BLACK	LINE VOLTAGE
ALL	WHITE	NEUTRAL
DM0/DM1	PURPLE	0-10V (+)
DM0/DM1	PINK	0-10V (-)
DM3	PURPLE	E2
DM3	PINK	E1
ALL	GREEN	GROUND

FIG. 12 – WIRE LABEL TABLE

SEE GENERAL NOTE 6 ON PAGE 1

OCL Architectural Lighting

Phone: 314.863.1895
Fax: 314.863.3278
www.oclighting.com

FRX-O1OB-INSTALLATION INSTRUCTIONS

5. Make sure to install the GASKET GAP FACES DOWN as shown in FIG. 13.
6. Fasten the FIXTURE to the wall by running the TWO SCREWS through the CANOPY as shown in FIG. 14 and into the MOUNTING PLATE HOLES (tighten with 3/32" Allen Key).

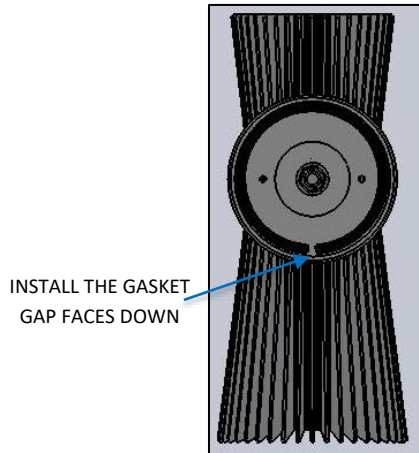


FIG.13 - BACK VIEW

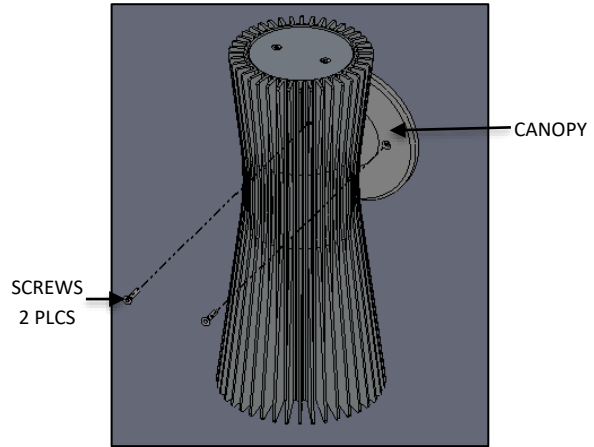


FIG.14 - FIXTURE INSTALLATION

7. Restore power to circuit the FIORI series is connected to.
 - a. Test to see that the luminaire turns on after power is restored.
 - b. Contact OCL for any luminaire troubleshooting if a problem occurs.

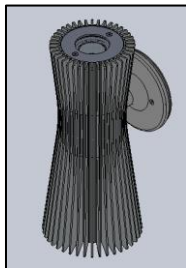


FIG. 15 - COMPLETED INSTALLATION OF FIORI SCONCE WITH O1OB SYSTEM FOR FR1 SERIES (2LED1 OPTION) (AS SHOWN)

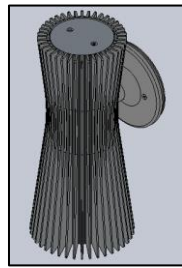


FIG. 16 - COMPLETED INSTALLATION OF FIORI SCONCE WITH O1OB SYSTEM FOR FR1 SERIES (AS SHOWN)

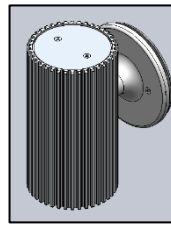


FIG. 17 - COMPLETED INSTALLATION OF FIORI SCONCE WITH O1OB SYSTEM FOR FR2 SERIES (AS SHOWN)

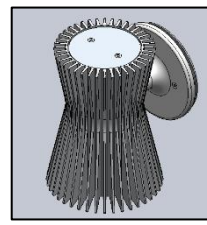


FIG. 18 - COMPLETED INSTALLATION OF FIORI SCONCE WITH O1OB SYSTEM FOR FR3 SERIES (AS SHOWN)

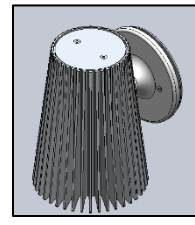


FIG. 19 - COMPLETED INSTALLATION OF FIORI SCONCE WITH O1OB SYSTEM FOR FR4 SERIES (AS SHOWN)