

INSTALLATION INSTRUCTIONS FIORI CEILING WITH C1NA HANGING SYSTEM

These Instructions cover the FIORI luminaire with the following options:

SERIES	HANGING SYSTEM	SIZE	LIGHT SOURCE	CONTROL	WIRE DIAGRAM
FR1 - FIORI	C1NA: INDOOR SURFACE CEILING MOUNT	13" (FR1 ONLY)	STATIC WHITE	DM1: 0-10V DIMMING 1%	WIRE DIAGRAM ON PAGE 4
FR2 - FIORI		08"		DM3: LUTRON HI-LUME ECOSYSTEM 1% (LDE1)	
FR3 - FIORI					
FR4 - FIORI					



FIG. 1- FR1- C1NA-13-
XX-PTD-LEDX_XXK-
UNV-XXX-DM~
(AS SHOWN)

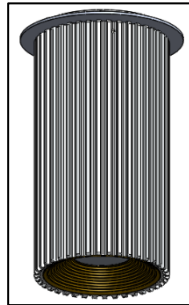


FIG. 2- FR2- C1NA-08-
XX-PTD-LEDX_XXK-
UNV-XXX-DM~
(AS SHOWN)



FIG. 3- FR3- C1NA-08-
XX-PTD-LEDX_XXK-
UNV-XXX-DM~
(AS SHOWN)

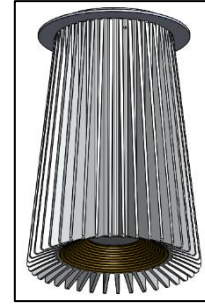


FIG. 4- FR4- C1NA-08-
XX-PTD-LEDX_XXK-
UNV-XXX-DM~
(AS SHOWN)

GENERAL NOTES:

1. PLEASE COMPLETELY READ THE INSTALL INSTRUCTIONS BEFORE STARTING INSTALLATION.
2. TURN OFF POWER TO CIRCUIT FIXTURE WHILE IT IS BEING INSTALLED.
3. INSTALL IN ACCORDANCE WITH ALL LOCAL, STATE AND NATIONAL CODES CONSULT WITH A QUALIFIED ELECTRICIAN FOR PROPER INSTALLATION.
4. CAREFULLY UNPACK ALL CONTENTS; SOME COMPONENTS MAY HAVE BEEN SHIPPED IN SEPARATE BOXES MOST FIXTURES ARE SHIPPED PARTIALLY ASSEMBLED. SOME UNASSEMBLY MAY BE REQUIRED FOR INSTALLATION.
5. INSPECT EACH COMPONENT RECEIVED; IF ANY COMPONENT SHOWS SIGNS OF DAMAGE OR POTENTIAL FAILURE, STOP INSTALLATION IMMEDIATELY AND CONTACT FACTORY FOR HOW TO PROCEED.
6. DO NOT LET THE FIORI LUMINAIRE HANG FREE UNTIL MOUNTING PLATE IS SECURED TO FIXTURE BODY.
7. DUE TO A CHANGE IN NEC SECTION 410.69 EFFECTIVE IN 2022, THE COLOR PINK WILL BE USED IN PLACE OF GRAY FOR 0-10V CONTROL. NOTE THAT EXISTING SYSTEMS AND FIXTURES MANUFACTURED PRIOR TO 2022 MAY STILL USE GRAY WIRE AS AN UNGROUNDED CONDUCTOR FOR 0-10V CONTROL. CARE SHOULD BE TAKEN WHEN WORKING ON EXISTING SYSTEMS.

Table of Contents

GENERAL INFORMATION:	3
FIORI MOUNTING:	4

FRX-C1NA-INSTALLATION INSTRUCTIONS

GENERAL INFORMATION:

You will receive the following with each FIORI series ceiling fixture:

1. FIORI LUMINAIRE (Pre-assembled as shown in FIG. 5)
2. INSTALLATION INSTRUCTIONS (shown in FIG. 6) - Please completely read the install instructions before starting installation.

WARNING: Examine all components for any damage before beginning installation.

WARNING: This fixture should be installed by a licensed electrician only.

WARNING: Be careful not to scratch or damage any finished parts.



FIG.5 FIORI LUMINAIRE (PRE-ASSEMBLED)

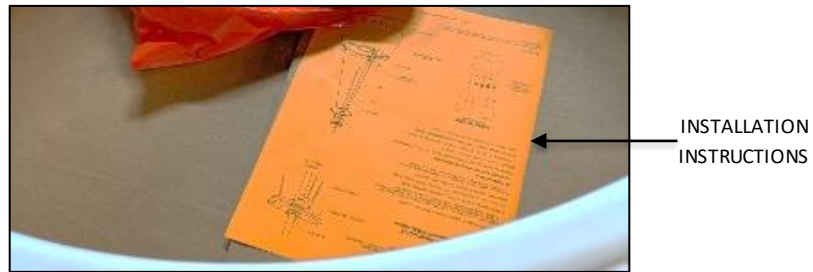


FIG.6 INSTALLATION INSTRUCTIONS

OCL Architectural Lighting

Phone: 314.863.1895

Fax: 314.863.3278

www.ocl.com

FRX-C1NA-INSTALLATION INSTRUCTIONS

FIORI MOUNTING:

1. Unscrew SETSCREWS 3 places and Separate J-box, mounting bracket, cover plate and fixture mounting bracket out of LUMINAIRE as shown in FIG 7.
2. Attach MOUNTING BRACKET TO JUNCTION BOX (BY OTHER) as shown below in FIG. 8.

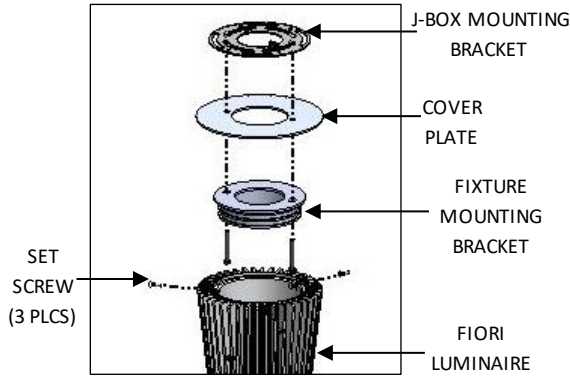


FIG. 7 – FIORI DIS ASSEMBLY

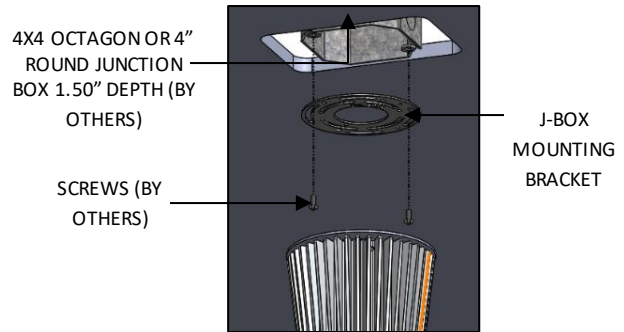


FIG. 8- J-BOX MOUNTING PLATE INSTALLATION

3. Mount FIXTURE MOUNTING BRACKET to J-BOX MOUNTING BRACKET with COVER PLATE in between as shown in FIG.9
4. Raise the fixture and unplug wire whip from fixture harness and connect wire as shown Fig. 10 whip to building supply wires. See WIRE DIAGRAM and WIRE LABEL TABLE shown in FIG. 11 and FIG. 12 for wire connections. Make all Electrical connections in accordance with the NATIONAL ELECTRICAL CODE and applicable LOCAL AND STATE CODE.

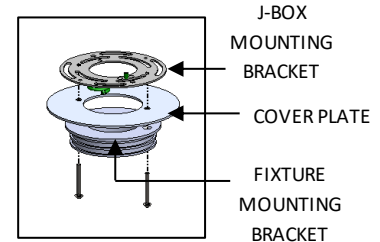


FIG. 9-FIORI MOUNTING PLATE INSTALLATION

SERIES	HANGING SYSTEM	SIZE	LIGHT SOURCE	LED OUTPUT	CONTROL	WIRE DIAGRAM
FR1 - FIORI	C1NA: INDOOR SURFACE CEILING MOUNT	13" (FR1 ONLY)	STATIC WHITE	LED 1, LED 2 & LED 3	DM1: 0-10V DIMMING 1% DM3: LUTRON HI-LUME ECOSYSTEM 1% (LDE1)	WIRE DIAGRAM ON PAGE 4
FR2 - FIORI		08"		LED 1		
FR3 - FIORI						
FR4 - FIORI						

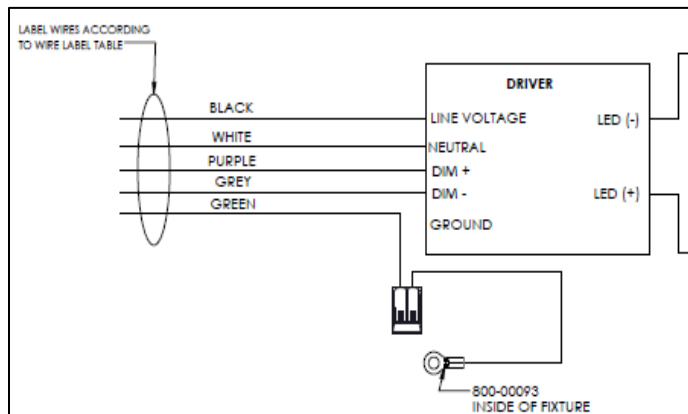


FIG. 11 - WIRE DIAGRAM

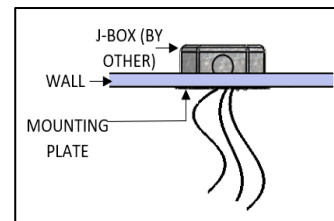


FIG. 10 – WIRING TO THE J-BOX

WIRE LABEL TABLE		
CONTROL	WIRE COLOR	LABEL
ALL	BLACK	LINE VOLTAGE
ALL	WHITE	NEUTRAL
ALL	PURPLE	DIM (+)
ALL	GREY	DIM (-)
ALL	GREEN	GROUND

FIG. 12 – WIRE LABEL INFORMATION

FRX-C1NA-INSTALLATION INSTRUCTIONS

5. Plug wire connectors to their corresponding connector between fixture (fixture harness) and building supply (8" wire whip) as shown below in FIG13.

WARNING:



- Do not let the FIORI LUMINAIRE hang free until MOUNTING PLATE is secured to FIXTURE BODY.

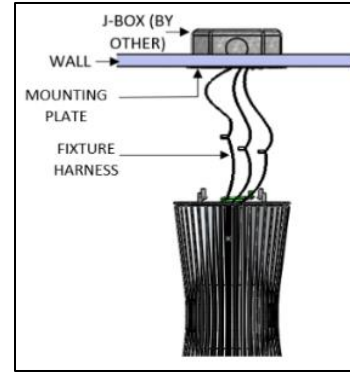


FIG. 13 – WIRING TO FIXTURE

6. Slide FIXTURE BODY over MOUNTING BRACKET. Tighten SET SCREWS to secure FIXTURE (make sure that all the SET SCREWS engage the MOUNTING BRACKET to safely hold the FIXTURE) as shown below in FIG.14.

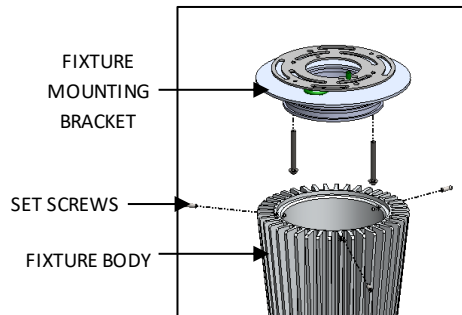


FIG. 14 – FIXTURE BODY ASSEMBLY

7. Restore power to circuit the FIORI series ceiling is connected to.
 - a. Test to see that the luminaire turns on after power is restored.
 - b. Contact OCL for any luminaire troubleshooting if a problem occurs.



FIG. 15 - COMPLETED INSTALLATION OF FR1-C1NA-13-XX-PTD-LEDX_XXK-UNV-XXX-DM~ (AS SHOWN)

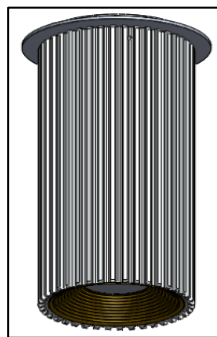


FIG. 16 - COMPLETED INSTALLATION OF FR2-C1NA-08-XX-PTD-LEDX_XXK-UNV-XXX-DM~ (AS SHOWN)



FIG. 17 - COMPLETED INSTALLATION OF FR3-C1NA-08-XX-PTD-LEDX_XXK-UNV-XXX-DM~ (AS SHOWN)

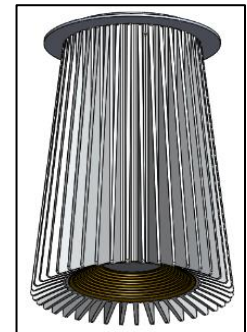


FIG. 18 - COMPLETED INSTALLATION OF FR4-C1NA-08-XX-PTD-LEDX_XXK-UNV-XXX-DM~ (AS SHOWN)