

INSTALLATION INSTRUCTIONS DUO SCONCE WITH S1SA HANGING SYSTEM

These instructions cover the DUO luminaire with the following options:

SERIES	HANGING SYSTEM	SIZE	LIGHT SOURCE	CONTROL	WIRE LABEL TABLE
DO1: DUO	S1SA: INDOOR ADA COMPLIANT SCONCE (CAN BE MOUNTED HORIZONTALLY OR VERTICALLY))	24"	STATIC WHITE	DM1: 0-10V DIM 1%	WIRE LABEL TABLE INFORMATION ON PAGE 5
		36"			
		48"			
		60"			
		89"			

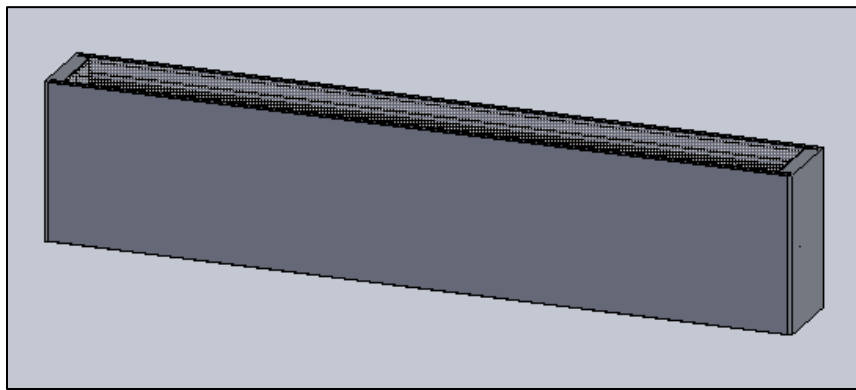


FIG. 1 – DO1-S1SA-XX-XXX-LEDX_XXK-UNV-DM1

GENERAL NOTES:

1. PLEASE COMPLETELY READ THE INSTALL INSTRUCTIONS BEFORE STARTING INSTALLATION.
2. TURN OFF POWER TO CIRCUIT FIXTURE WHILE IT IS BEING INSTALLED.
3. INSTALL IN ACCORDANCE WITH ALL LOCAL, STATE AND NATIONAL CODES CONSULT WITH A QUALIFIED ELECTRICIAN FOR PROPER INSTALLATION.
4. CAREFULLY UNPACK ALL CONTENTS; SOME COMPONENTS MAY HAVE BEEN SHIPPED IN SEPARATE BOXES. MOST FIXTURES ARE SHIPPED PARTIALLY ASSEMBLED. SOME UNASSEMBLY MAY BE REQUIRED FOR INSTALLATION.
5. UPON RECEIPT OF THE FIXTURE, THOROUGHLY INSPECT FOR ANY FREIGHT DAMAGE. ANY DAMAGE SHOULD BE BROUGHT TO THE ATTENTION OF THE DELIVERY CARRIER.
6. THESE INSTRUCTIONS DO NOT CLAIM TO COVER ALL DETAILS OR VARIATIONS IN THE EQUIPMENT, PROCEDURE, OR PROCESS DESCRIBED; NOR DO THEY PROVIDE DIRECTIONS FOR MEETING EVERY POSSIBLE CONTINGENCY DURING INSTALLATION, OPERATION, OR MAINTENANCE.
7. WHEN ADDITIONAL INFORMATION IS DESIRED TO SATISFY A PROBLEM NOT COVERED SUFFICIENTLY FOR USER'S PURPOSE, PLEASE CONTACT YOUR NEAREST REPRESENTATIVE.

OCL Architectural Lighting

Phone: 314.863.1895
Fax: 314.863.3278
www.ocl.com

Table of Contents

GENERAL INFORMATION: 3

DUO MOUNTING: 4

DO1-S1SA-INSTALLATION INSTRUCTIONS

GENERAL INFORMATION:

You will receive the following with each DUO series sconce fixture:

1. DUO LUMINAIRE. (Pre-assembled as shown in FIG. 2)
2. INSTALLATION INSTRUCTIONS (as shown in FIG. 3)- Please completely read the install instructions before starting installation.
3. ANCHOR AND J-BOX BRACKETS (as shown in FIG. 4)
4. RED BAG (as shown in FIG.3)
 - a. BRACKET SCREWS (as shown in FIG.5)

WARNING: Examine all components for any damage before beginning installation.

WARNING: This fixture should be installed by a licensed electrician only.

WARNING: Be careful not to scratch or damage any finished parts.

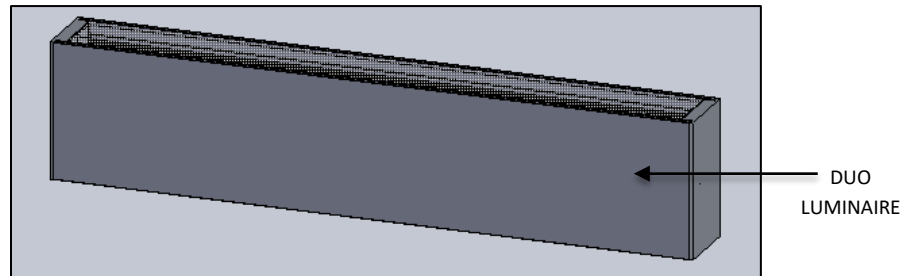


FIG.2 - DUO LUMINAIRE (PRE-ASSEMBLED)

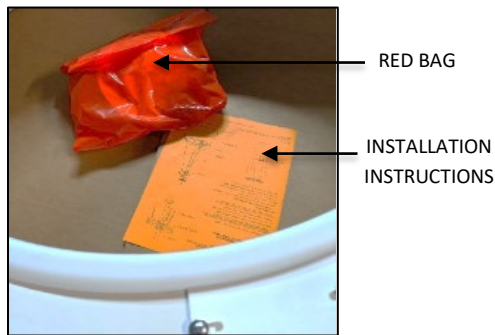


FIG.3- INSTALLATION INSTRUCTIONS

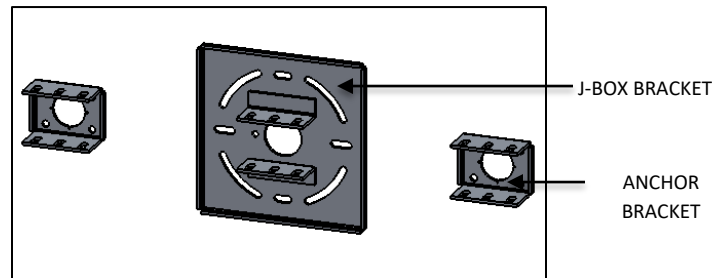


FIG.4 - ANCHOR BRACKET AND J-BOX BRACKETS

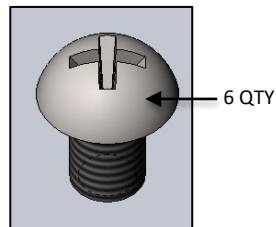


FIG.5 - BRACKET SCREWS

OCL Architectural Lighting

Phone: 314.863.1895


Fax: 314.863.3278

www.ocl.com

DO1-S1SA-INSTALLATION INSTRUCTIONS

DUO MOUNTING:

1. Shut off power.
2. Mark Hole locations for the ANCHOR BRACKETS on wall as shown in FIG.6 and MOUNTING INFORMATION TABLE.

MOUNTING INFORMATION TABLE				
SERIES	FIXTURE SIZE	FIXTURE WEIGHT	MOUNTING DISTANCE DIM A	MOUNTING POINT
 DO1(DUO)	24.25"	10LBS	12.00"	3
	36.25"	15LBS	24.00"	
	48.25"	20LBS	36.00"	
	60.25"	25LBS	48.00"	
	89.25"	37LBS	77.00"	

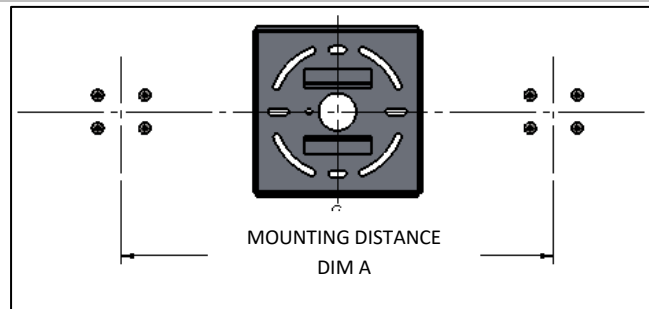


FIG. 6 - VIEW SHOWING MOUNTING INFORMATION

3. Attach the ANCHOR (BY OTHER) to WALL as shown in FIG.7. USE ANCHORS WHICH ARE RATED FOR AT LEAST 50LB PER ANCHOR AND ARE SUITABLE FOR THE WALL MATERIAL (ANCHORS NOT PROVIDED).
4. Before installing the BRACKETS make sure BRACKET FLANGES are running same direction the fixture is to be mounted. Use NOTCHES as shown in FIG.8 to align BRACKET for marking ANCHOR LOCATIONS

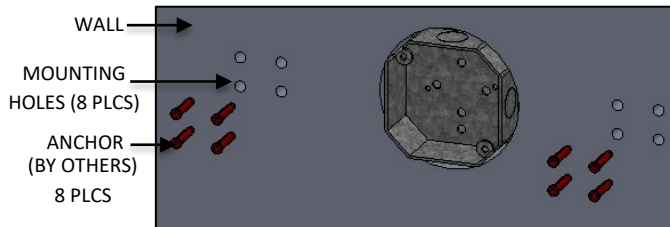


FIG. 7 - ANCHOR BODY MOUNTING TO WALL (BY OTHERS)

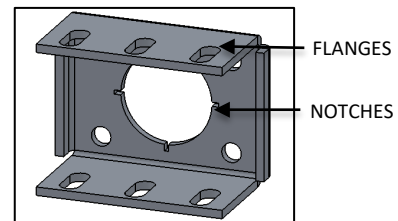


FIG. 8 - ANCHOR BRACKET DETAIL

5. Attach BRACKETS to the JBOX (BY OTHER) AND WALL by means of ANCHOR SCREWS (BY OTHERS) as shown in FIG.9.

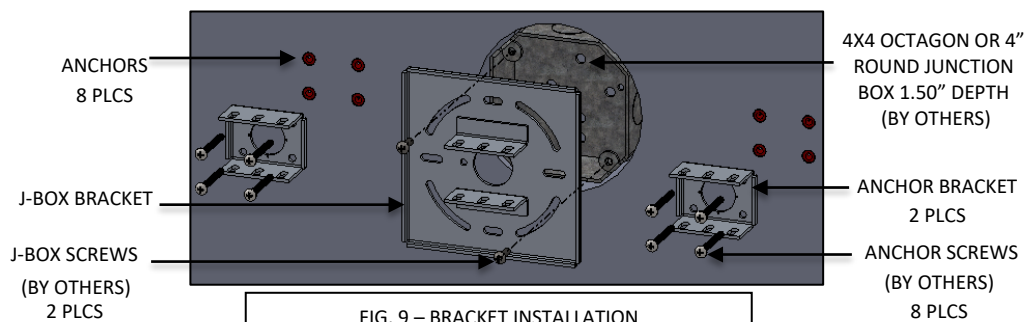


FIG. 9 - BRACKET INSTALLATION

OCL Architectural Lighting

Phone: 314.863.1895

Fax: 314.863.3278

www.ocl.com

DO1-S1SA-INSTALLATION INSTRUCTIONS

6. Pull off END CAPS and slide DIFFUSER/LOUVER out of the grooves of the fixture body as shown in FIG.10. Remove the REFLECTORS by using a FLAT SCREWDRIVER to release the Tabs. Release wires from ballast and Pull the supply conductors through the large slot.

7. Attach the fixture to J-BOX and ANCHOR BRACKETS, secure with the SCREWS provided as shown in FIG.11[be careful not to over-tighten and strip the threads].

NOTE: FOR 24" FIXTURES MAKE WIRE CONNECTIONS IN THE J-BOX. ALL LARGER LENGTHS FEED BUILDING SUPPLY WIRES INTO FIXTURE BODY.

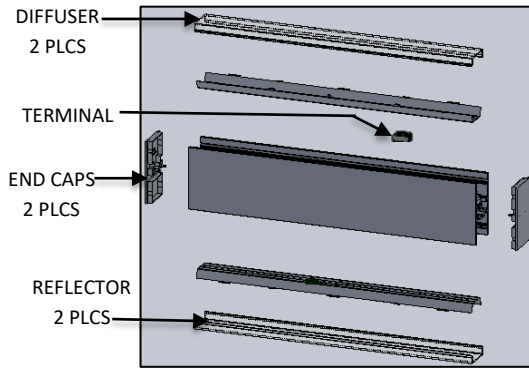


FIG. 10 – FIXTURE DISASSEMBLY

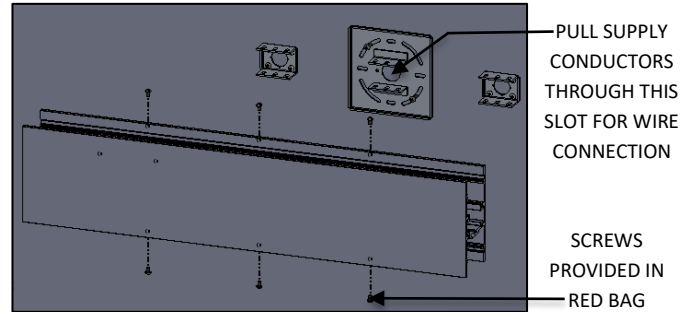


FIG. 11 – FIXTURE BODY INSTALLATION

8. Connect building supply wires to the driver. See WIRE LABEL TABLE as shown in FIG. 12 for wire connections. Make all wire connections in accordance with the NATIONAL ELECTRICAL CODE and all applicable LOCAL AND STATE CODES.

SERIES	HANGING SYSTEM	SIZE	LIGHT SOURCE	LED OUTPUT	CONTROL	WIRE LABEL TABLE
DO1: DUO	S1SA: INDOOR ADA COMPLIANT SCNCE (CAN BE MOUNTED HORIZONTALLY OR VERTICALLY))	24"	STATIC WHITE	2LED 1 & 2LED2	DM1: 0-10V DIM 1%	WIRE LABEL TABLE ON PAGE 5
		36"				
		48"				
		60"				
		89"				

WIRE LABEL TABLE		
CONTROL OPTION	WIRE COLOR	LABEL
ALL	BLACK	UPLIGHT LINE VOLTAGE
DM1	PURPLE	UPLIGHT 0-10V (+)
DM1	GREY	UPLIGHT 0-10V (-)
ALL	BLACK	DOWNLIGHT LINE VOLTAGE
ALL	WHITE	NEUTRAL
ALL	GREEN	GROUND
DM1	PURPLE	DOWNLIGHT 0-10V (+)
DM1	GREY	DOWNLIGHT 0-10V (-)

FIG. 12 – WIRE LABEL TABLE INFORMATION

DO1-S1SA-INSTALLATION INSTRUCTIONS

9. Reattach REFLECTORS with the aid of a FLAT SCREWDRIVER to the FIXTURE body as shown in FIG.13.

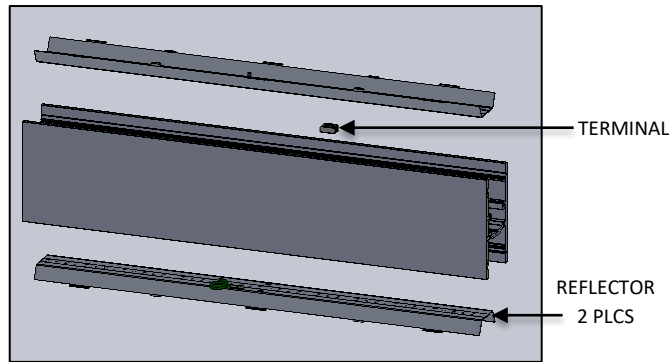


FIG. 13 – REFLECTOR INSTALLATION

10. Reattach DIFFUSERS/LOUVERS and END CAPS to the FIXTURE body as shown in FIG.14 and 15.

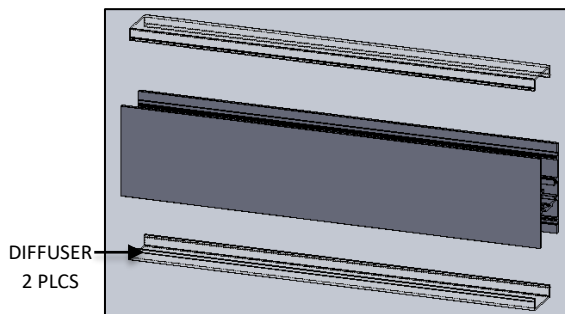


FIG. 14 – DIFFUSER INSTALLATION

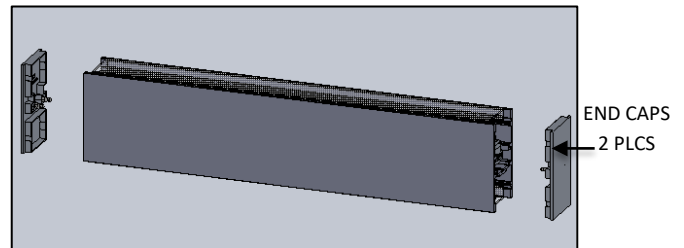


FIG. 15 – END CAPS INSTALLATION

11. Restore power to circuit the DUO series SCONCE is connected to.
- Test to see that the luminaire turns on after power is restored.
 - Contact OCL for any luminaire troubleshooting if a problem occurs.

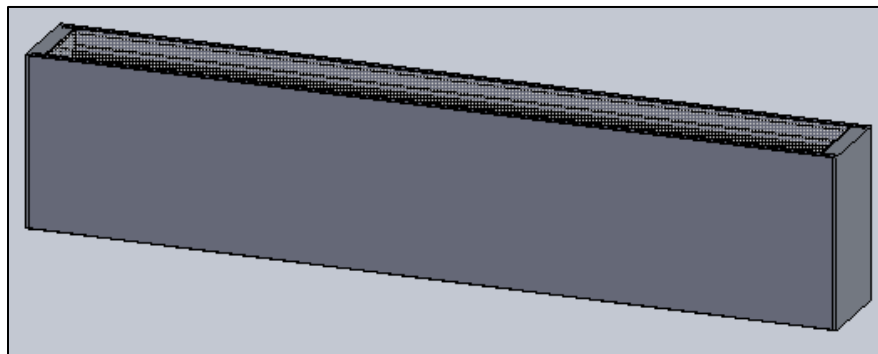


FIG. 16 – COMPLETED INSTALLATION OF DUO SCONCE WITH S1SA HANGING SYSTEM