

**INSTALLATION INSTRUCTIONS
DUO PENDANT WITH P1EB HANGING SYSTEM**

These Instructions cover the DUO luminaire with the following options:

SERIES	HANGING SYSTEM	SIZE	LIGHT SOURCE	CONTROL	WIRE DIAGRAM
DO1: DUO	P1EB: PENDANT WITH AN AIRCRAFT CABLE ON EACH END OF THE FIXTURE AND A POWER CORD ON ONE END	24"	STATIC WHITE	0-10V DIM 1% (DM1)	WIRE DIAGRAM ON PAGE 6
		36"			
		48"			
		60"			
		89"			

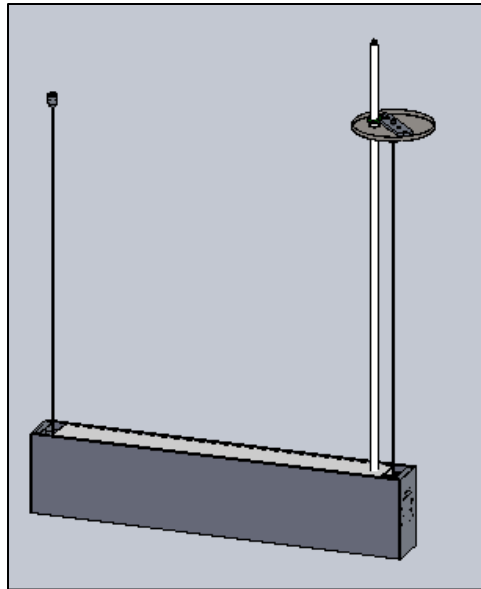


FIG. 1 - DO1-P1EB-XX-MW-XXX-LEDX_XXK-UNV-XXX-DM1

GENERAL NOTES:

1. PLEASE COMPLETELY READ THE INSTALL INSTRUCTIONS BEFORE STARTING INSTALLATION.
2. INSTALL IN ACCORDANCE WITH ALL LOCAL, STATE AND NATIONAL CODES CONSULT WITH A QUALIFIED ELECTRICIAN FOR PROPER INSTALLATION.
3. CAREFULLY UNPACK ALL CONTENTS; SOME COMPONENTS MAY HAVE BEEN SHIPPED IN SEPARATE BOXES. MOST FIXTURES ARE SHIPPED PARTIALLY ASSEMBLED. SOME UNASSEMBLY MAY BE REQUIRED FOR INSTALLATION.
4. FIXTURE POWER CORD WIRES ARE LOW- VOLTAGE. DO NOT CONNECT TO LINE VOLTAGE OR DAMAGE TO THE FIXTURE WILL OCCUR AND WARRANTY WILL BE VOIDED.
5. DO NOT LET THE DUO LUMINAIRE HANG FREE UNTIL BOTH THE AIRCRAFT CABLES ARE SECURED AND EVENLY TENSIONED.

OCL Architectural Lighting

Phone: 314.863.1895

Fax: 314.863.3278

www.ocl.com

Table of Contents

GENERAL INFORMATION:	3
DUO MOUNTING:	4
DUO MOUNTING [HARD CEILING]:	4
DUO MOUNTING [GRID CEILING]:	4
DUO MOUNTING [NON-POWERED POINT AIRCRAFT CABLE]:	4
DUO MOUNTING [CANOPY]:	5

DO1-P1EB-XX-STATIC WHITE-INSTALL-INSTRUCTIONS

GENERAL INFORMATION:

You will receive the following with each DUO series pendant fixture:

1. DUO LUMINAIRE. (Pre-assembled as shown in FIG. 2)
2. INSTALLATION INSTRUCTIONS – (as shown in FIG. 2) Please completely read the install instructions before starting installation.
3. RED BAG
 - a. CANOPY (as shown in FIG. 4)
 - b. MOUNTING KIT (as shown in FIG. 5)
 - i. TWO (2) AIRCRAFT CABLES
 - ii. STRAIN RELIEF
 - iii. THREAD ROD
 - iv. MOUNTING BRACKET
 - v. ONE (1) CEILING COUPLER (CC)
 - vi. SLIP RING COUPLER (SRC)

WARNING: Examine all components for any damage before beginning installation.

WARNING: This fixture should be installed by a licensed electrician only.

WARNING: Be careful not to scratch or damage any finished parts.

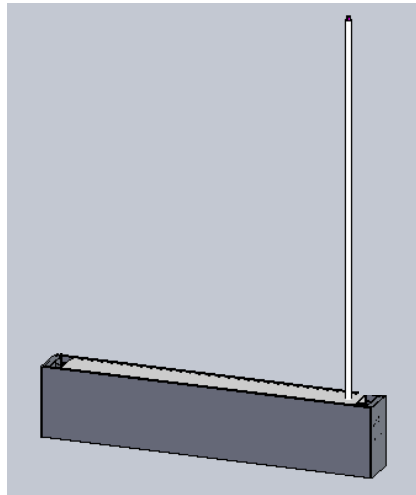


FIG. 2 - DUO LUMINAIRE (PRE-ASSEMBLED)

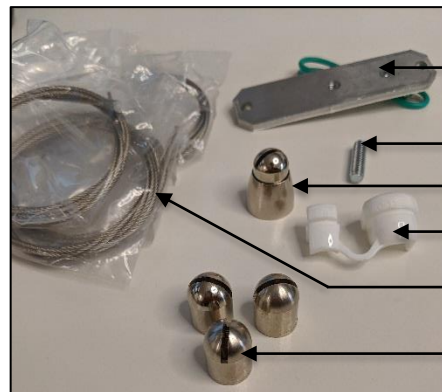


RED BAG
INSTALLATION INSTRUCTIONS

FIG.3 INSTALLATION INSTRUCTIONS



FIG. 4 MOUNTING KIT & CANOPY



MOUNTING BRACKET
THREADED ROD
SLIP RING
STRAIN RELIEF
AIRCRAFT CABLES (4)
CEILING COUPLER

FIG. 5 MOUNTING KIT CONTENTS

OCL Architectural Lighting

Phone: 314.863.1895

Fax: 314.863.3278

www.ocl.com

DUO MOUNTING:

1. Dis-assemble the CEILING COUPLER into two components CC-BASE and CC-HOLDER as shown in FIG. 6.

For DUO MOUNTING [HARD CEILING] see steps 2 and 3,
For DUO MOUNTING [GRID CEILING] see steps 4 and 5.

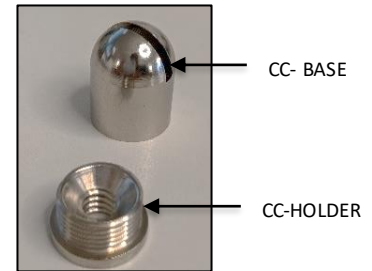


FIG. 6 - CEILING COUPLER ASSEMBLY

DUO MOUNTING [HARD CEILING]:

2. For hard ceiling install #8 FLAT HEAD ANCHOR (by others) into ceiling at the non-powered mounting location as per the mounting information chart (page 5).

WARNING: Anchors (by others) must be rated to 50lbs each and suitable for ceiling material at the non-powered mounting location.

3. Install the CC-BASE to the #8 FLAT HEAD ANCHOR (by others) previously installed at the non-powered mounting location and secure with the #8 FLAT HEAD ANCHOR SCREW (by others) as shown in FIG. 7.

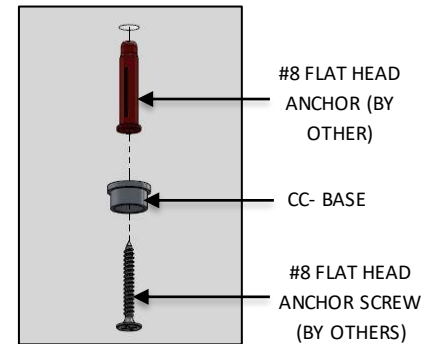


FIG. 7 - HARD CEILING INSTALLATION

DUO MOUNTING [GRID CEILING]:

4. For grid ceiling install 1/4-20 ROD (by others) at the non-powered mounting location as per the mounting information chart (page 4). 1/4-20 ROD should protrude past the bottom of the ceiling surface 0.375".

WARNING: Make sure each threaded rod is mounted to structural member rated to at least 50lbs.

5. Add a light thread locking compound to the 1/4-20 ROD (by others). Then thread CC-BASE to 1/4-20 ROD protruding through the ceiling material as shown in FIG. 8.

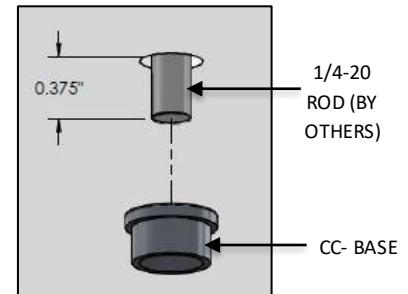


FIG. 8 - GRID CEILING INSTALLATION

DUO MOUNTING [NON-POWERED POINT AIRCRAFT CABLE]:

6. Locate the AIRCRAFT CABLE mounted from the Mounting kit. Feed the AIRCRAFT CABLES through the CC-HOLDER. Once the AIRCRAFT CABLE is fed thru the CC-HOLDER, secure to the CC-BASE (mounted) at the non-powered mounting locations as shown in FIG. 9.

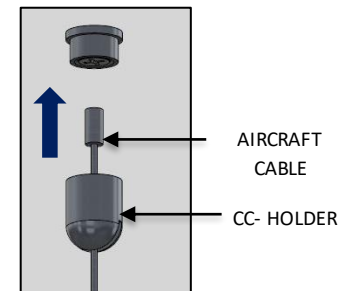



FIG. 9 - AIRCRAFT CABLE INSTALLATION

DO1-P1EB-XX-STATIC WHITE-INSTALL-INSTRUCTIONS

- MARK THE LOCATION FOR THE ANCHORS FROM J-BOX (BY OTHER) as per MOUNTING CHART INFORMATION (see table) and MOUNTING DISTANCE as shown in FIG.10.

MOUNTING INFORMATION CHART					
SERIES	FIXTURE DIAMETER	FIXTURE WEIGHT	MOUNTING DISTANCE DIM A	MOUNTING POINT	MIN/MAX OAH
 DO1(DUO)	24"	10LBS	22.3125"	2	8.5"/144"
	36"	15LBS	34.25"		
	48"	20LBS	46.25"		
	60"	25LBS	58.25"		
	89"	37LBS	87.25"		

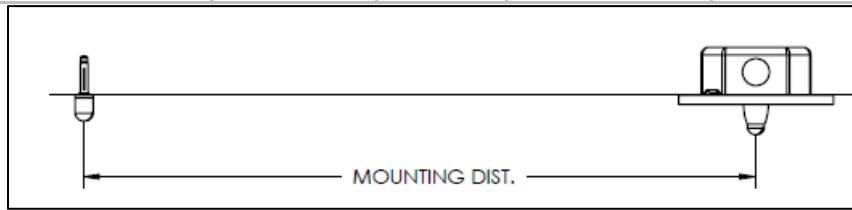


FIG. 10 – MOUNTING INFORMATION

DUO MOUNTING [CANOPY]:

- Dis-assemble the SLIP RING COUPLER (1) as shown below in FIG.11 into three components SRC-BASE, SRC-HOLDER and SRC-FINIAL.
- Screw the THREAD ROD into the top of the SRC-BASE until fully seated. Then assemble the THREADED ROD/ SRC-BASE into the center hole of the MOUNTING BRACKET until SRC-BASE is fully seated against MOUNTING BRACKET as shown below in FIG. 12.

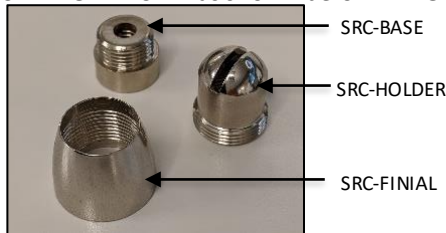


FIG. 11 – SLIP RING COUPLER (1) CONTENTS

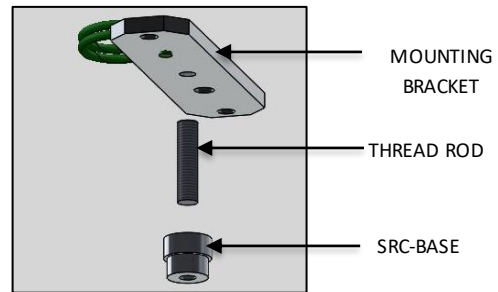


FIG. 12 – THREAD ROD INSTALLATION

- Feed the remaining AIRCRAFT CABLE through the SRC-HOLDER. Then assemble the SRC-HOLDER with AIRCRAFT CABLE to the SRC-BASE on the MOUNTING BRACKET ASSEMBLY. Secure the MOUNTING BRACKET ASSEMBLY to the JUNCTION BOX (by others) as shown below in FIG. 13.
- Feed the AIRCRAFT CABLE from the MOUNTING BRACKET ASSEMBLY through the center hole of the CANOPY and SRC-FINIAL. Loosely secure CANOPY to the ceiling by threading the SRC-FINIAL to the MOUNTING BRACKET ASSEMBLY as shown below in FIG. 14.

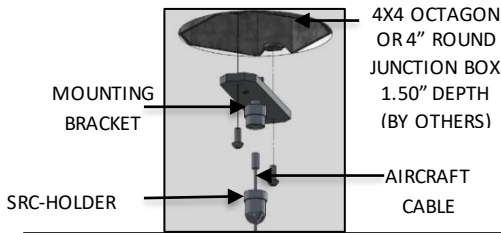


FIG. 13 – MOUNTING BRACKET ASSEMBLY

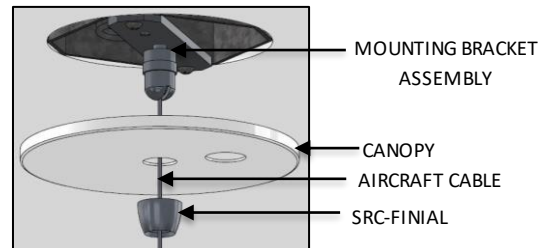


FIG. 14 – CANOPY INSTALLATION

OCL Architectural Lighting

Phone: 314.863.1895

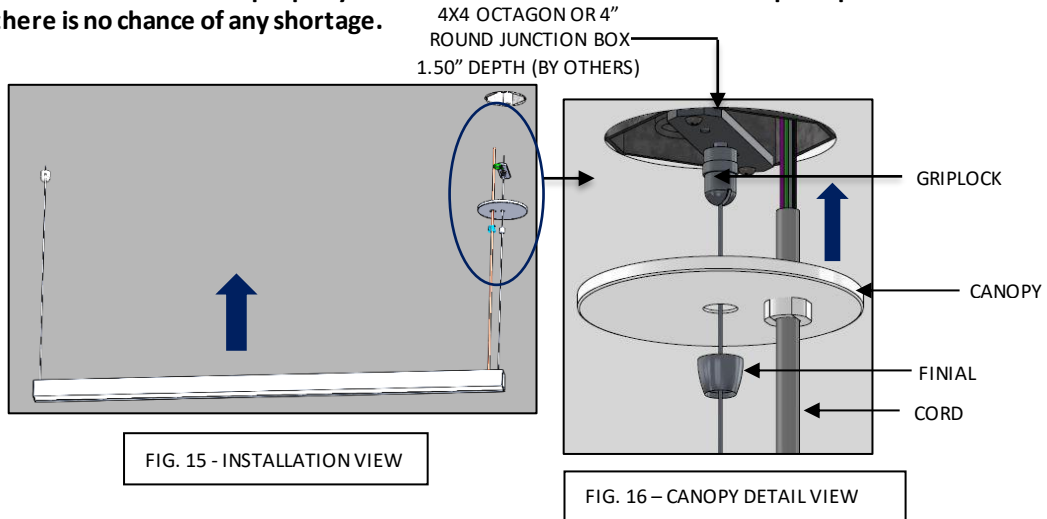
Fax: 314.863.3278

www.ocl.com

DO1-P1EB-XX-STATIC WHITE-INSTALL-INSTRUCTIONS

12. Raise the DUO LUMINAIRE up, with multiple people, to the ceiling. Simultaneously, feed the AIRCRAFT CABLE through the GRIPLOCK and adjust the AIRCRAFT CABLE to the desired length and loosen the finial from the canopy and pass the cord through the second hole of the Canopy plate as shown in FIG. 15&16.

NOTE: Make sure to trim the excess of AIRCRAFT CABLE, leaving at least 1.75" past the GRIPLOCK for the GRIPLOCK to function properly. Make sure that the aircraft cable is taped up above the GRIPLOCK, so there is no chance of any shortage.



WARNING:



1. Do not let the DUO LUMINAIRE hang free until both the AIRCRAFT CABLES are secured and evenly tensioned.

13. Make all wire connections in the inside the junction box (by others) in accordance with the NATIONAL ELECTRICAL CODE and all applicable LOCAL AND STATE CODES.

SERIES	HANGING SYSTEM	SIZE	LIGHT SOURCE	LED OUTPUT	CONTROL	WIRE DIAGRAM
DO1: DUO	P1EB: PENDANT WITH AN AIRCRAFT CABLE ON EACH END OF THE FIXTURE AND A POWER CORD ON ONE END	24"	STATIC WHITE	LED1 & LED2	0-10V DIM 1% (DM1)	WIRE DIAGRAM ON PAGE 6
		36"				
		48"				
		60"				
		89"				

WIRE LABEL TABLE		
CONTROL OPTION	WIRE COLOR	LABEL
ALL	BLACK	LINE VOLTAGE
ALL	WHITE	NEUTRAL
ALL	GREEN	GROUND
DM1	PURPLE	0-10V (+)
DM1	GREY	0-10V (-)

FIG. 17 – WIRE LABEL

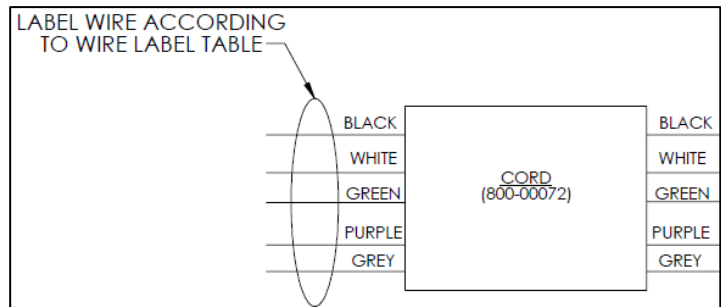
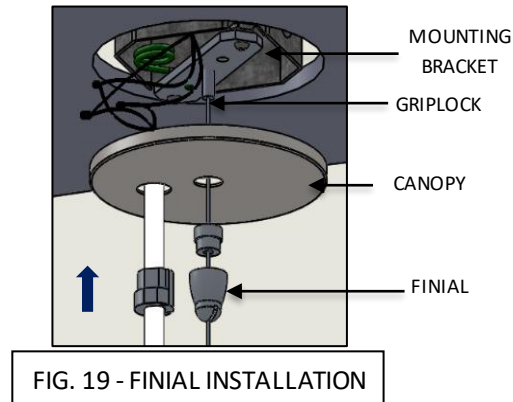


FIG. 18 – WIRE DIAGRAM

DO1-P1EB-XX-STATIC WHITE-INSTALL-INSTRUCTIONS

14. Raise CANOPY and secure to ceiling by threading the FINIAL to the GRIPLOCK until fully seated as shown in FIG. 19.



15. Restore power to circuit the DUO series pendant is connected to.
 - a. Test to see that the luminaire turns on after power is restored.
 - b. Contact OCL for any luminaire troubleshooting if a problem occurs.

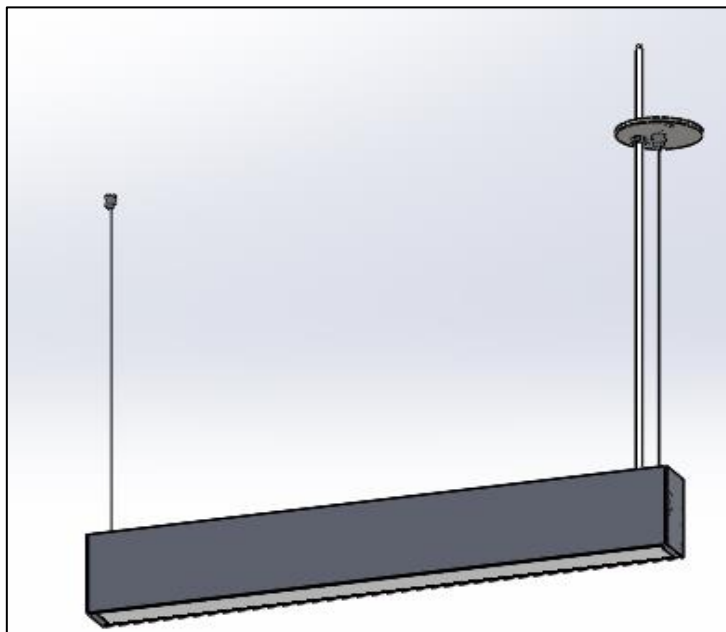


FIG. 20 - COMPLETED INSTALLATION OF DUO PENDANT WITH P1EB HANGING SYSTEM DO1-P1EB-XX-MW-XXX-LEDX-XXK-UNV-XXX-DM1 (SHOWN)